

# LMP 902 - 903

**Filter element in according to  
DIN 24550**

**Maximum pressure 20 bar  
Flow rates to 3000 l/min**



## Technical data

### Filter housing (Materials)

- Head: Anodized Aluminium
- Housing: Anodized Aluminium
- Manifolds: Welded - Phosphated Steel
- Bypass valve: Steel
- Size 1000 filter elements complying with DIN 24550 standard

### Pressure

- Working pressure: 25 bar (2,5 MPa)
- Test pressure: 35 bar (3,5 MPa)

### Temperature

- From -25 °C to +110 °C

### Bypass valve

- Opening pressure 3,5 bar  $\pm$ 10%
- Other opening pressures on request.

### Number of filter elements

- LMP 902: 4 filter elements CU900
- LMP 903: 6 filter elements CU900

### Filter elements

- Filter element in according to with DIN 24550  
Size: 1000

### $\Delta p$ Elements type

- Microfibre filter elements series N: 20 bar
- Fluid flow through the filter element from OUT to IN.

### Seals

- Standard NBR series A
- Optional FPM series V

**LMP 902-903 FILTERS ARE PROVIDED FOR  
VERTICAL MOUNTING**

### Weights (kg)

Length	1
• LMP902	89,6
• LMP903	129,2

### Volumes (dm<sup>3</sup>)

Length	1
• LMP902	58
• LMP903	87

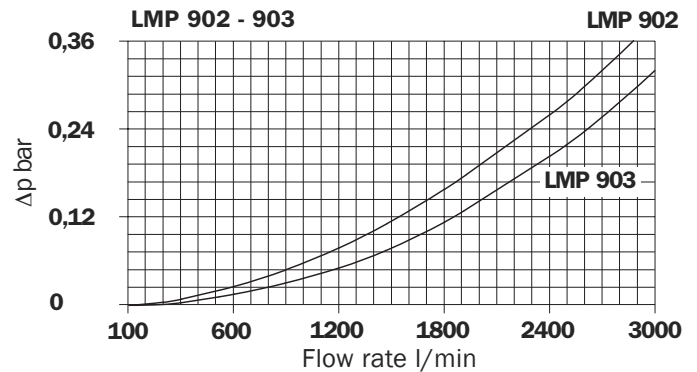
### Connections

- LMP 902-903: In-line Inlet/Outlet

### Filter housings $\Delta p$ pressure drop

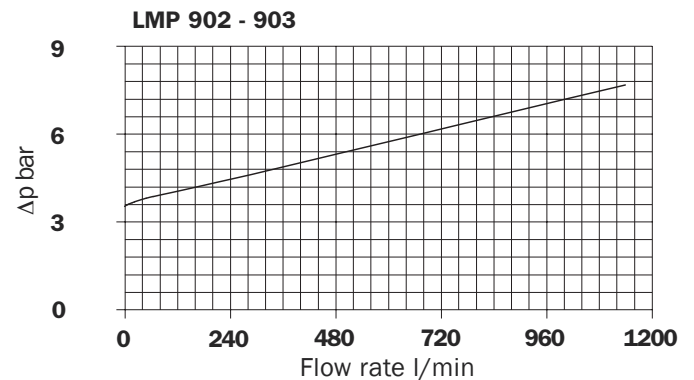
The curves are plotted utilising mineral oil with density of 0,86 kg/dm<sup>3</sup> to ISO 3968.

$\Delta p$  varies proportionally with density.



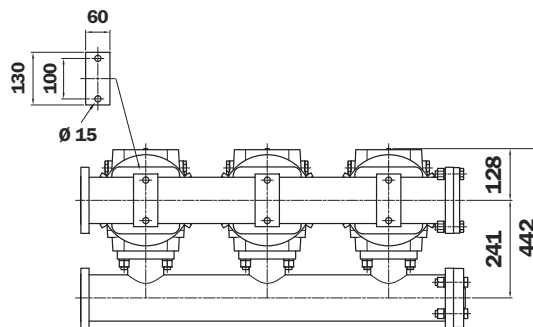
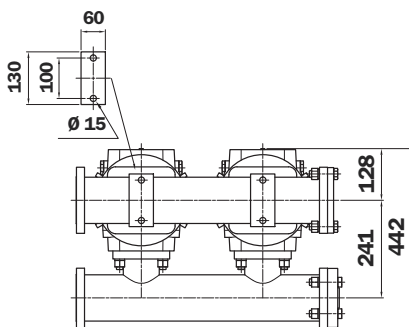
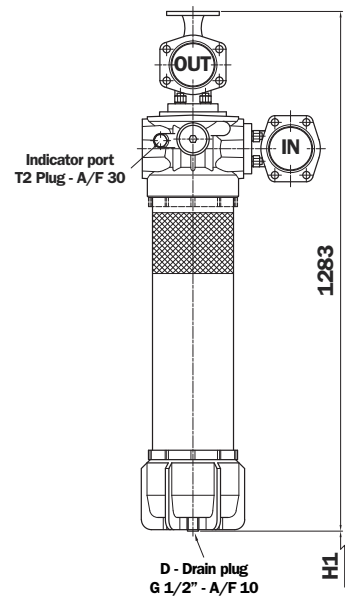
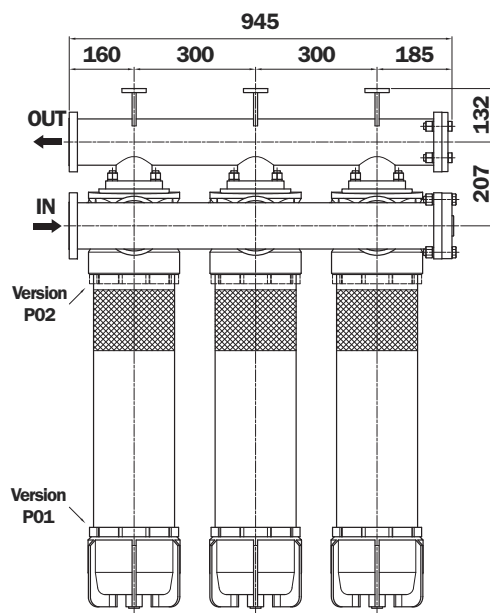
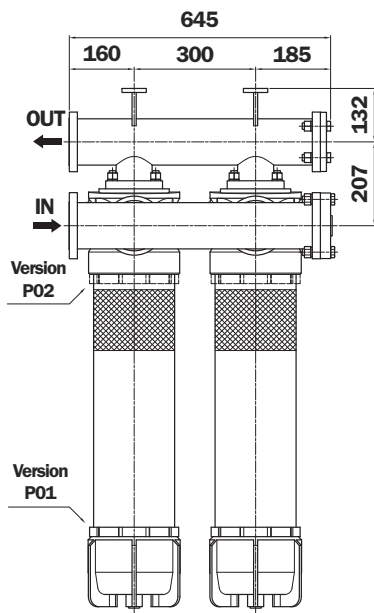
### Valves

#### Bypass valve pressure drop

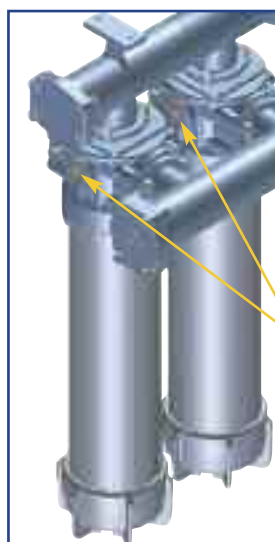


# LMP 902

# LMP 903



Indicator port  
Plug T2 - A/F 30

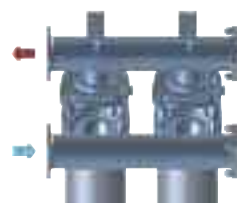


Bypass valve  
A/F 17

Oil drain plug  
G 1/2" - A/F 10

## Manifolds

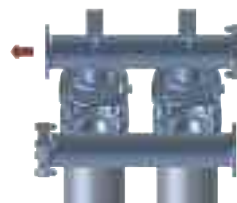
Position of manifolds IN - OUT connections



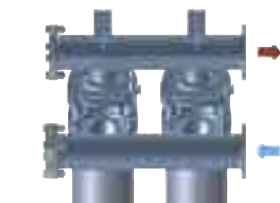
FA



FB



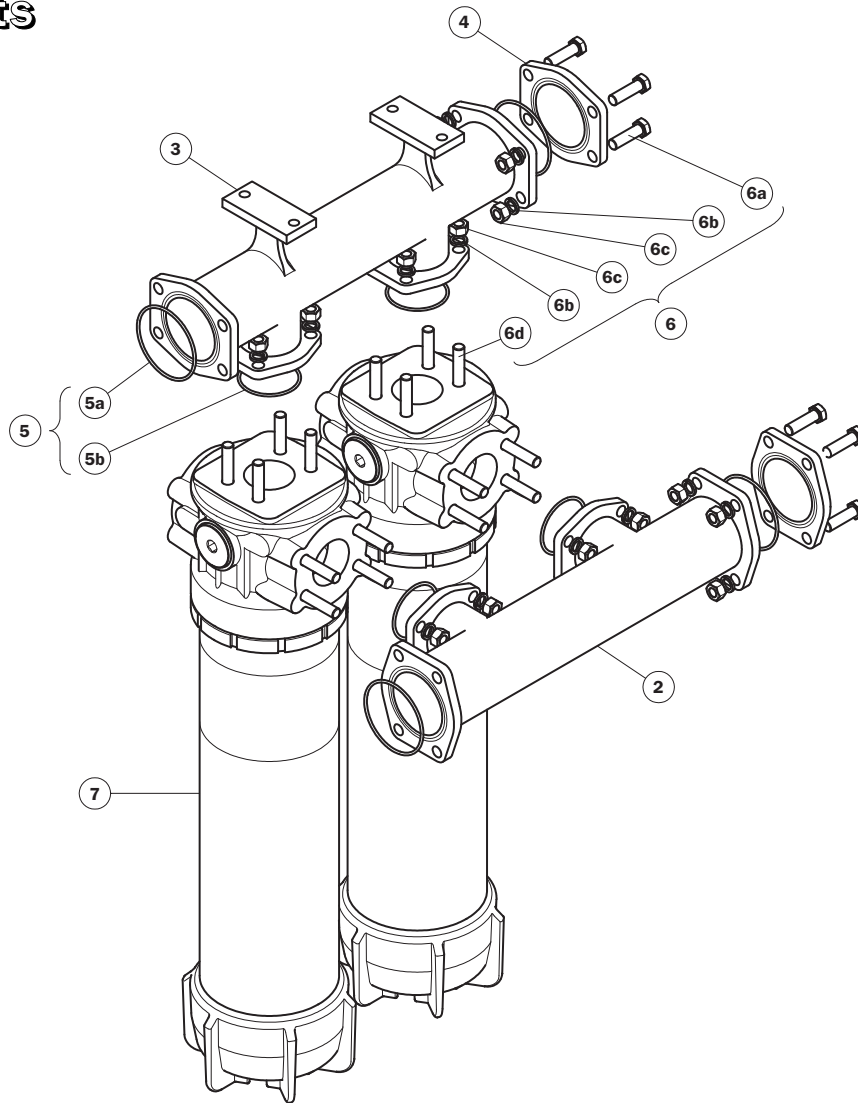
FC



FD

IN-LINE FILTER

# Spare parts



Item	Description	Q.ty		FILTER Series			
		LMP 902	LMP 903	LMP 902		LMP 903	
1	Filter assembly	1	1	See order table			
2	IN manifold	1	1	01039270		01039272	
3	OUT manifold	1	1	01039271		01039273	
4	4" SAE 3000 psi plugged flange	2	2	01042020			
5	Manifolds seal kit	1	1	NBR 02050404	FPM 02050405	NBR 02050404	FPM 02050405
5a	IN-OUT O-Ring	4	4	O-R 4437 Ø 110,7 x 3,53			
5b	Manifolds/filter O-Ring	4	6	O-R 4337 Ø 85,32 x 3,53			
6	Threaded fasteners kit	1	1	02049051		02049052	
6a	Hexagon bolt screws	8	8	EN ISO 4017-M16x70-10.9			
6b	Spring washers	24	32	UNI 1751-B - DIN 127-B 16			
6c	Nuts	24	32	DIN 934-M16-10			
6d	Studs	16	24	UNI 5911-M16x40-10.9			
7	Filter	2	3	See order table LMP9012xxF1xxxNPO2 page 233			
-	Filter spare parts Item 7	2	3	See spare parts table LMP 901 page 232			
-	Filter seals kit Item 7	2	3	See spare parts table LMP 901 page 232			

# Ordering information LMP 902 - 903

## Filter assembly LMP

	<b>1</b>	<b>2</b>	<b>3</b>	<b>4</b>	<b>5</b>	<b>6</b>	<b>7</b>	<b>8a</b>
	<input type="checkbox"/>	<input type="checkbox"/>	<input type="checkbox"/>	<input type="checkbox"/>	<input type="checkbox"/>	<input type="checkbox"/>	<input type="checkbox"/>	<input type="checkbox"/>
<b>Example: LMP</b>	<b>903</b>	<b>2</b>	<b>B</b>	<b>A</b>	<b>FB</b>	<b>A10</b>	<b>N</b>	<b>P01</b>

## Filter element CU

	<b>1</b>	<b>6</b>	<b>4</b>	<b>7</b>	<b>8b</b>
	<input type="checkbox"/>	<input type="checkbox"/>	<input type="checkbox"/>	<input type="checkbox"/>	<input type="checkbox"/>
<b>Example: CU</b>	<b>900</b>	<b>A10</b>	<b>A</b>	<b>N</b>	<b>P01</b> (nr. 6 filter elements required)

### 1 - Style

#### Filter

**902**  
**903**

#### Filter element

**900** With 4 filter elements  
**900** With 6 filter elements

### 2 - Filter length

**902**  
**903**

**2**  
**2**

### 3 - Valves

**S** Without bypass  
**B** With bypass

### 4 - Filter seals

**A** NBR  
**V** FPM

### 5 - Connections

**Flange 4" SAE 3000 PSI**  
**LMP 902 - 903**

Type	<input type="text"/>
FA	
FB	See page 235
FC	
FD	

### 6 - Filter element

<b>A03</b>	Inorganic microfibre 3 µm	Absolute filtration Inorganic Microfibre βx (c) ≥ 1000
<b>A06</b>	Inorganic microfibre 6 µm	
<b>A10</b>	Inorganic microfibre 10 µm	
<b>A16</b>	Inorganic microfibre 16 µm	
<b>A25</b>	Inorganic microfibre 25 µm	
<b>M25</b>	Wire mesh 25 µm	Nominal Filtration
<b>M60</b>	Wire mesh 60 µm	
<b>M90</b>	Wire mesh 90 µm	

### 7 - Max filter element differential pressure

**N** Δp 20 bar

### 8 - Option

#### a - Filter

**P01** MP Filtri standard  
**P02** Maintenance from base of housing  
**Pxx** Customer request

#### b - Filter element

**P01** MP Filtri standard  
**Pxx** Customer request

**For Clogging Indicator:**  
See page 324

**MP Filtri** - The filter functions as described in this bulletin are valid exclusively for original MP Filtri filter elements and replacement parts. All rights reserved.

The data in this publication are purely guideline. MP Filtri reserves the right to make changes to the models described herein at any time it deems fit in relation to technical or commercial requirements. The colours of the products shown on the cover are purely guideline. Copyright. All rights reserved.