

# MPT

**Maximum pressure 8 bar**  
**Flow rates to 300 l/min**



## Technical data

### Filter housing (Materials)

- Head: Aluminium
- Cover: Nylon
- Bowl: Nylon

### Pressure

- Working pressure: 8 bar (0,8 MPa)

### Temperature

- From -25 °C to +110 °C

### Bypass valve

- Opening pressure 1,75 bar  $\pm$ 10%
- Opening pressure 3 bar  $\pm$ 10%

### $\Delta p$ Elements type

- Microfibre filter elements series H: 10 bar
- Fluid flow through the filter element from OUT to IN.

### Seals

- Standard NBR series A
- Optional FPM series V

### MPT FILTERS ARE PROVIDED FOR VERTICAL MOUNTING

### Weights (kg)

Length	1	2	3	4
• MPT 025	0,41	0,45	0,50	-
• MPT 027	0,44	0,48	0,55	-
• MPT 101	1,00	1,05	1,15	1,40
• MPT 104	1,10	1,15	1,25	1,50
• MPT 110-120	1,00	1,05	1,15	1,40
• MPT 114	1,10	1,15	1,25	1,50

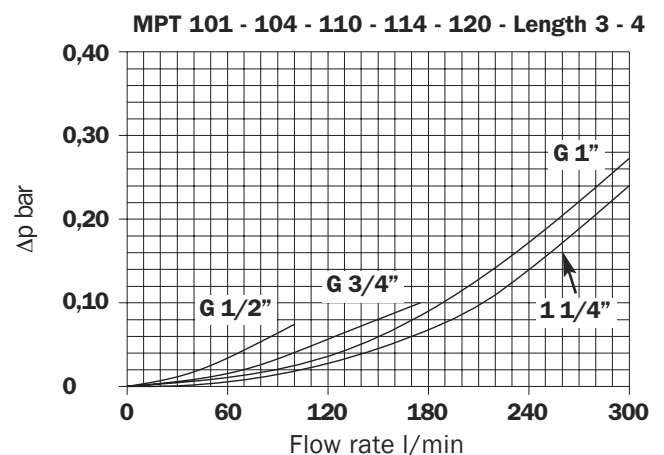
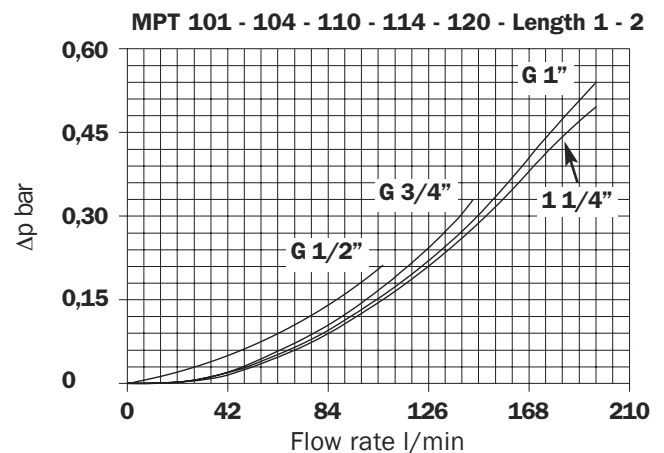
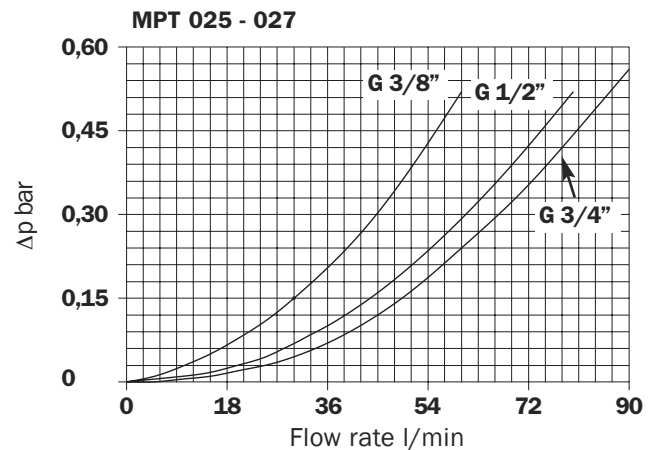
### Volumes (dm<sup>3</sup>)

Length	1	2	3	4
• MPT 025	0,24	0,35	0,42	-
• MPT 027	0,24	0,35	0,42	-
• MPT 101	0,72	0,93	1,28	1,74
• MPT 104	0,72	0,93	1,28	1,74
• MPT 110-120	0,72	0,93	1,28	1,74
• MPT 114	0,72	0,93	1,28	1,74

### Filter housings $\Delta p$ pressure drop

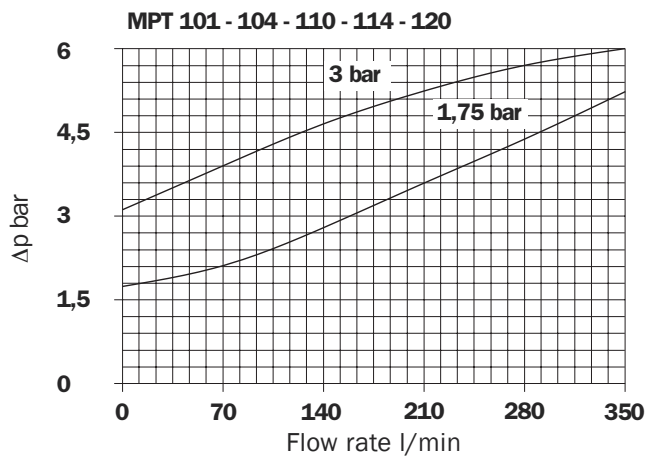
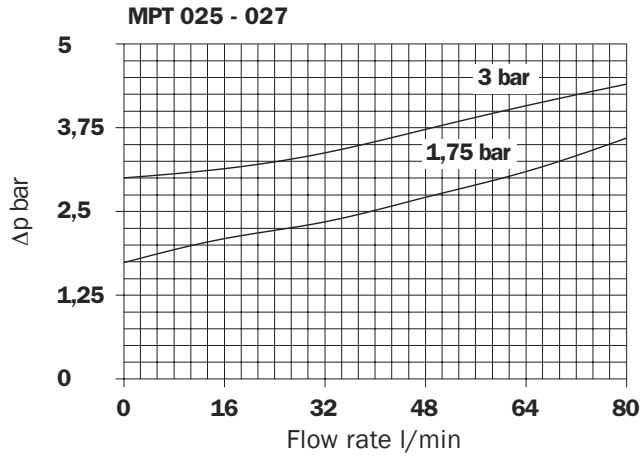
The curves are plotted utilising mineral oil with density of 0,86 kg/dm<sup>3</sup> to ISO 3968.

$\Delta p$  varies proportionally with density.



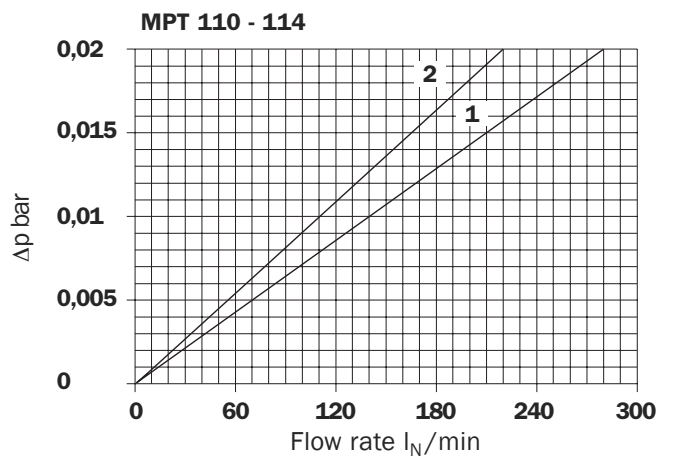
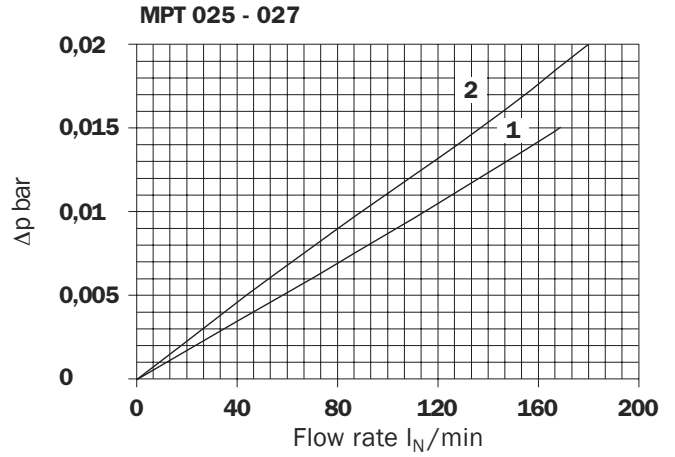
**Valves**

**Bypass valve pressure drop**



**Air breather**

**Pressure drop**



- 1: C With air breather 10 μm
- 2: D With anti-splash and SAP50 10 μm

**Recommended maximum flow rate**

- Pressure drop of filter assembly equal to Δp 0,5 bar.
- Oil kinematic viscosity 30 mm<sup>2</sup>/s (cSt).
- Density 0,86 kg/dm<sup>3</sup>.

**Filtration**

	Length	A03	A06	A10	A16	A25	P10	P25	M25-M60-M90
<b>MPT 025 - 027</b>	1	6	9	23	28	42	50	54	110
	2	16	19	45	48	55	64	67	110
	3	21	24	50	55	59	70	75	110

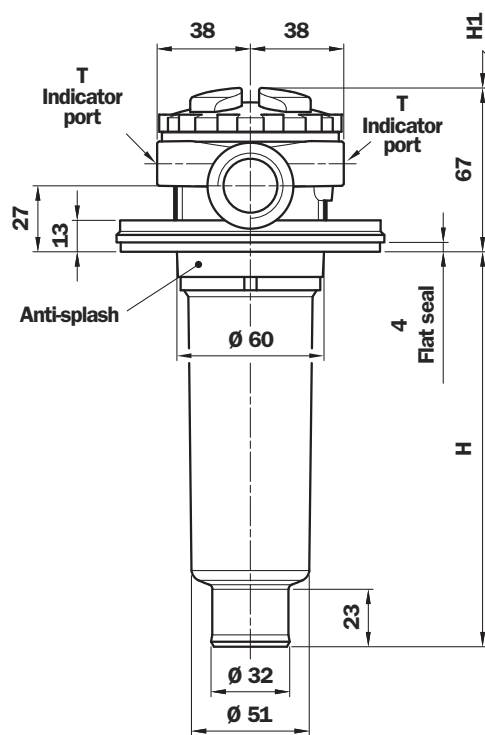
Flow rate l/min

**Filtration**

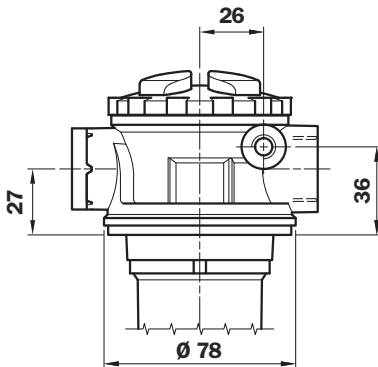
	Length	A03	A06	A10	A16	A25	P10	P25	M25-M60-M90
<b>MPT 101 - 104</b>	1	17	20	53	56	64	86	94	290
<b>110 - 114</b>	2	28	38	64	75	95	110	120	290
<b>120</b>	3	47	53	125	135	168	220	250	290
	4	80	88	180	185	195	260	280	290

Flow rate l/min

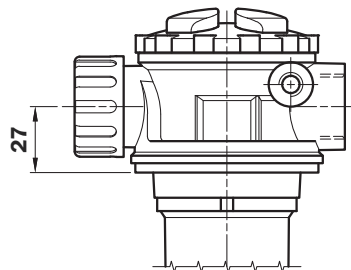
# MPT 025



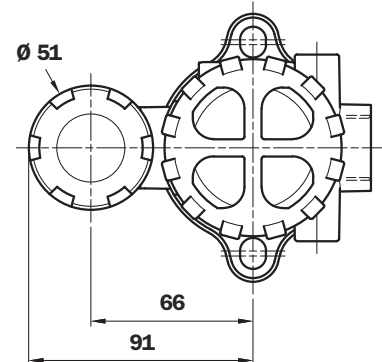
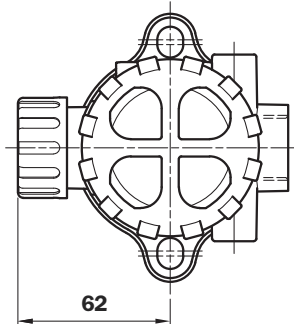
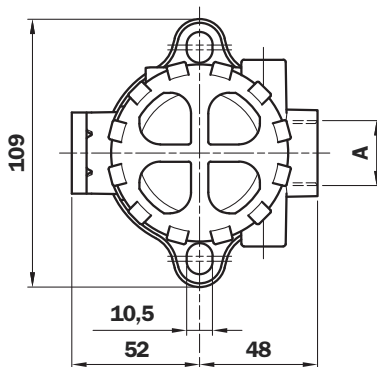
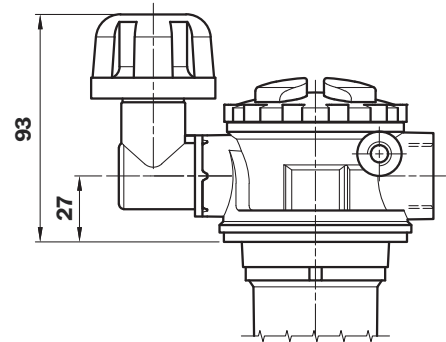
**Version "S"**  
Without air breather



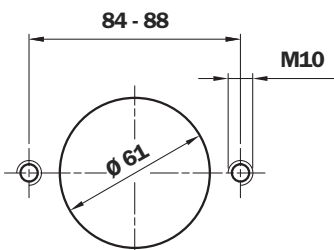
**Version "C"**  
With air breather



**Version "D" and "P"**  
Anti-splash and SAP50



## Holes on the tank

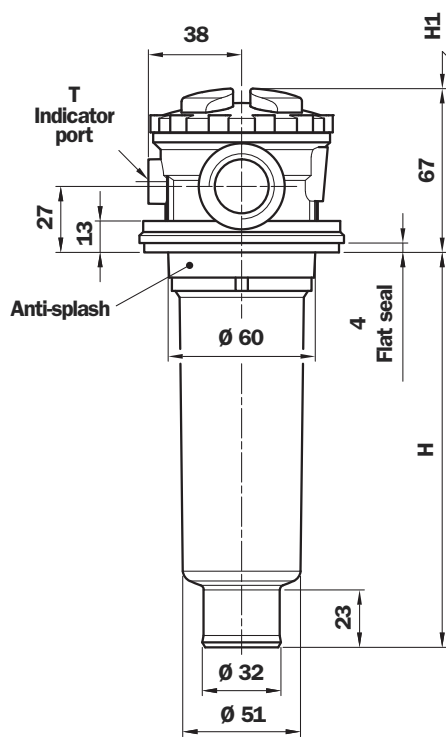


## Thread connections

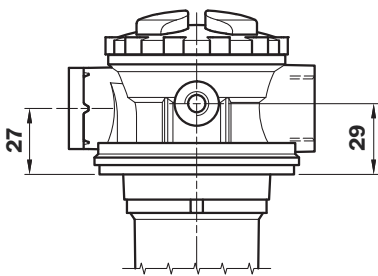
Type	A	T
G1	G 3/8"	G 1/8"
G2	G 1/2"	G 1/8"
G3	G 3/4"	G 1/8"
G4	3/8" NPT	1/8" NPT
G5	1/2" NPT	1/8" NPT
G6	3/4" NPT	1/8" NPT
G7	SAE 6 - 9/16" - 18 UNF	1/8" NPT
G8	SAE 8 - 3/4" - 16 UNF	1/8" NPT
G9	SAE 12 - 1 1/16" - 12 UN	1/8" NPT

Filter Length	H mm	H1 mm
1	99	130
2	163	195
3	202	230

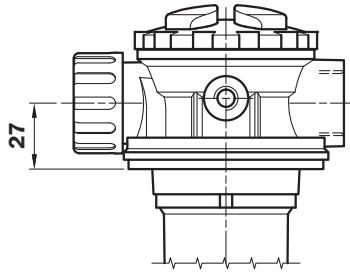
# MPT 027



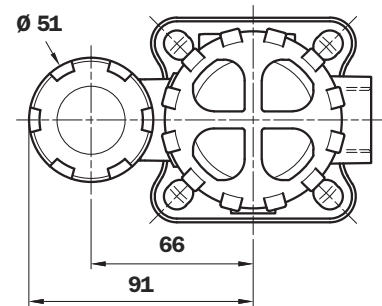
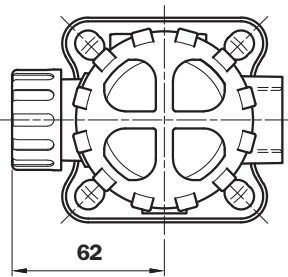
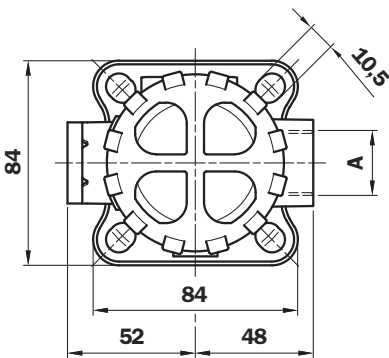
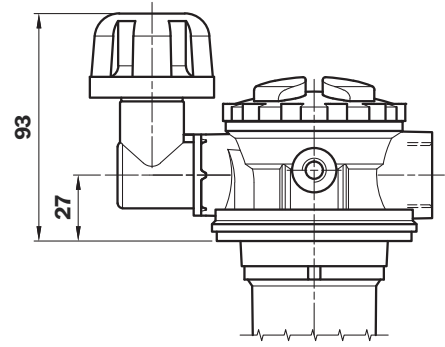
Version "S"  
Without air breather



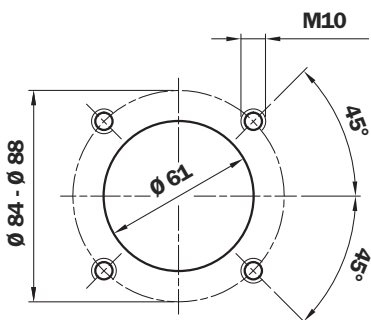
Version "C"  
With air breather



Version "D" and "P"  
Anti-splash and SAP50



## Holes on the tank



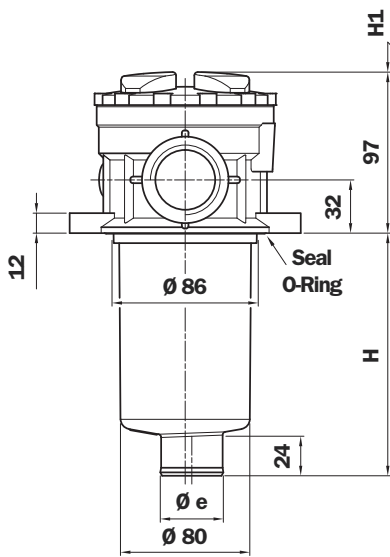
## Thread connections

Type	A	T
G1	G 3/8"	G 1/8"
G2	G 1/2"	G 1/8"
G3	G 3/4"	G 1/8"
G4	3/8" NPT	1/8" NPT
G5	1/2" NPT	1/8" NPT
G6	3/4" NPT	1/8" NPT
G7	SAE 6-9/16" - 18 UNF	1/8" NPT
G8	SAE 8-3/4" - 16 UNF	1/8" NPT
G9	SAE 12-1 1/16" - 12 UN	1/8" NPT

Filter Length	H mm	H1 mm
1	99	130
2	163	195
3	202	230

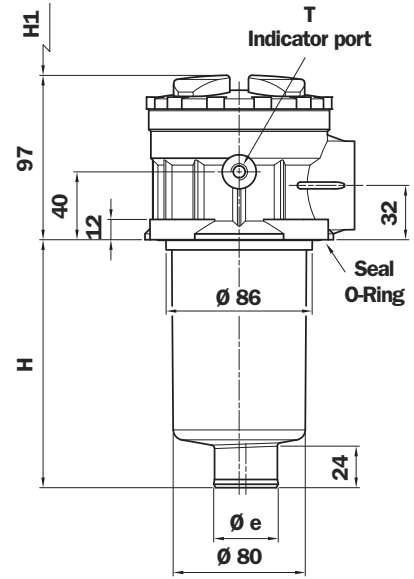
# MPT 101

Without air breather

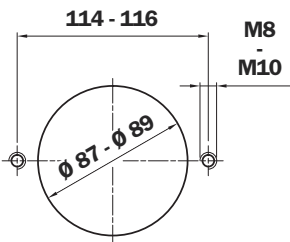


# MPT 104

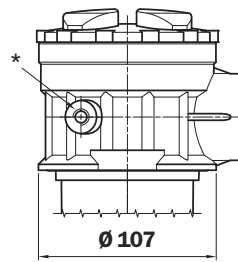
Without air breather



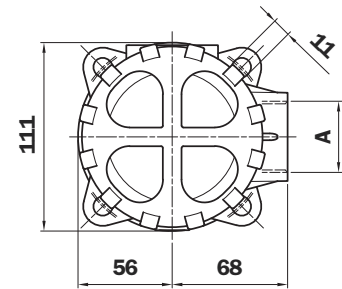
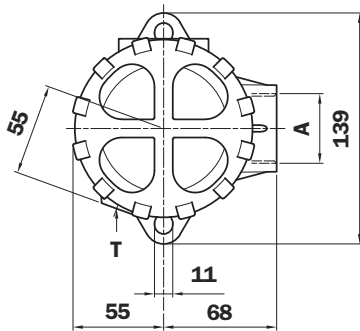
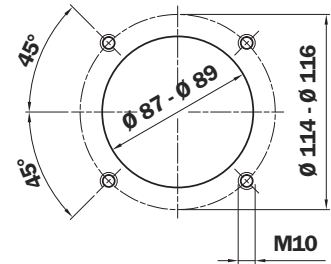
## Holes on the tank



## T\* Indicator port



## Holes on the tank



### MPT 101

Filter Length	H mm	H1 mm	Ø e mm
1	99	120	38
2	146	170	38
3	224	250	46,5
4	326	350	46,5

T indicator port  
G 1/4" - 1/4" NPT  
ON REQUEST

### MPT 104

Filter Length	H mm	H1 mm	Ø e mm
1	99	120	38
2	146	170	38
3	224	250	46,5
4	326	350	46,5

T indicator port  
G 1/4" - 1/4" NPT  
ON REQUEST

### MPT 101 - Thread connections

Type	A	T
G1	G 3/4"	G 1/8"
G2	G 1"	G 1/8"
G3	G 1 1/4"	G 1/8"
G4	3/4" NPT	1/8" NPT
G5	1" NPT	1/8" NPT
G6	1 1/4" NPT	1/8" NPT
G7	SAE 12 - 1 1/16" - 12 UN	1/8" NPT
G8	SAE 16 - 1 5/16" - 12 UN	1/8" NPT
G9	SAE 20 - 1 5/8" - 12 UN	1/8" NPT

### MPT 104 - Thread connections

Type	A	T
G1	G 3/4"	G 1/8"
G2	G 1"	G 1/8"
G3	G 1 1/4"	G 1/8"
G4	3/4" NPT	1/8" NPT
G5	1" NPT	1/8" NPT
G6	1 1/4" NPT	1/8" NPT
G7	SAE 12 - 1 1/16" - 12 UN	1/8" NPT
G8	SAE 16 - 1 5/16" - 12 UN	1/8" NPT
G9	SAE 20 - 1 5/8" - 12 UN	1/8" NPT

## MPT 110



**Multiport - Multifunction**  
**Standard**  
**Single In Port**



**Multiport - Multifunction**  
**Double In Port**  
**Double Indicator Port**



**Multiport - Multifunction**  
**Double In Port**  
**Option: Drain Port**  
**Indicator Port**



**Multiport - Multifunction**  
**Double In Port**  
**Option: Double Drain Port**

## MPT 120



**Multiport - Multifunction**  
**Triple In Port**  
**Option: Double Drain Port**

## MPT 025-027



**Multifunction**  
**Air breather Port plugged**  
**Indicator Port**

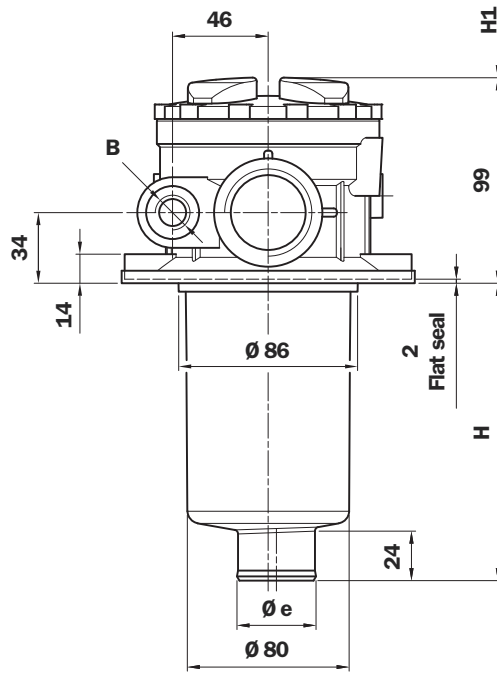


**Multifunction**  
**Air breather standard**  
**Indicator Port**

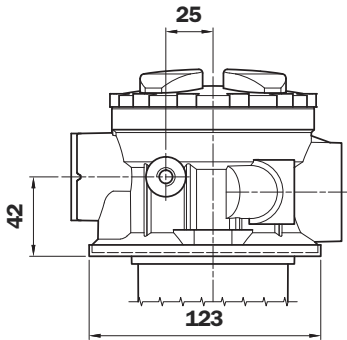


**Multifunction**  
**Air breather anti-splash & pressurized**  
**Double Indicator Port**

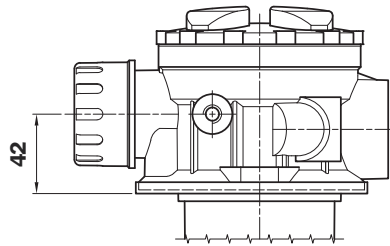
# MPT 110



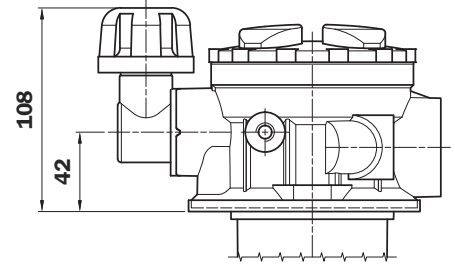
Version "S"  
Without air breather



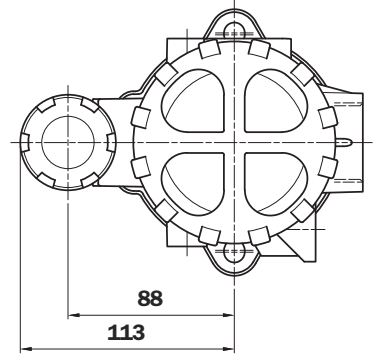
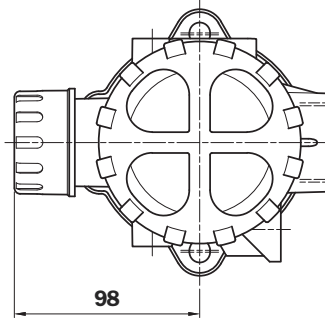
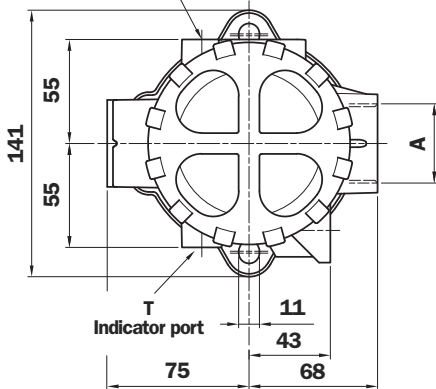
Version "C"  
With air breather



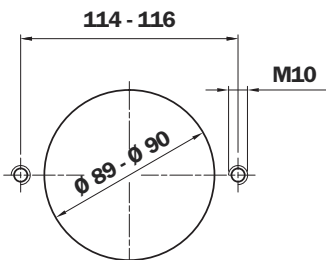
Version "D" and "P"  
Anti-splash and SAP50



T Indicator port



Holes on the tank



Filter Length	H mm	H1 mm	Ø e mm
1	97	120	38
2	144	170	38
3	222	250	46,5
4	324	350	46,5

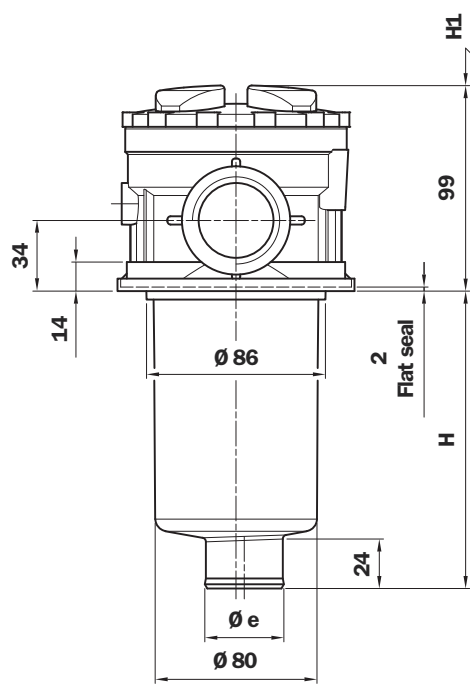
T indicator port  
G 1/4" - 1/4" NPT  
ON REQUEST

Thread connections A	Thread connections B		
	0	1	2
G1 - G2 - G3	not machined	G 3/8"	G 1/2"
G4 - G5 - G6	not machined	3/8" NPT	1/2" NPT
G7 - G8 - G9	not machined	SAE 6 - 9/16" - 18 UNF	SAE 8 - 3/4" - 16 UNF

Thread connections A

Type	A	T
G1	G 3/4"	G 1/8"
G2	G 1"	G 1/8"
G3	G 1 1/4"	G 1/8"
G4	3/4" NPT	1/8" NPT
G5	1" NPT	1/8" NPT
G6	1 1/4" NPT	1/8" NPT
G7	SAE 12 - 1 1/16" - 12 UN	1/8" NPT
G8	SAE 16 - 1 5/16" - 12 UN	1/8" NPT
G9	SAE 20 - 1 5/8" - 12 UN	1/8" NPT

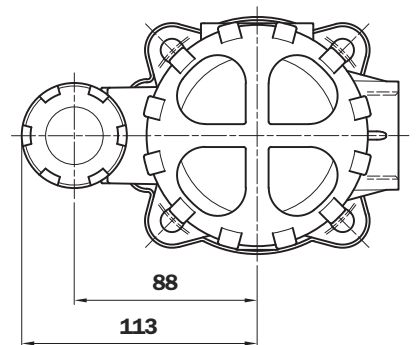
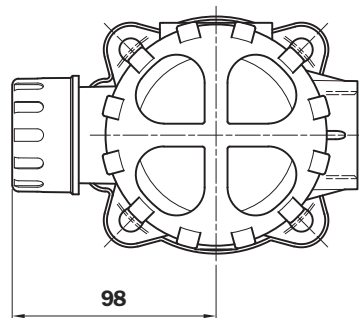
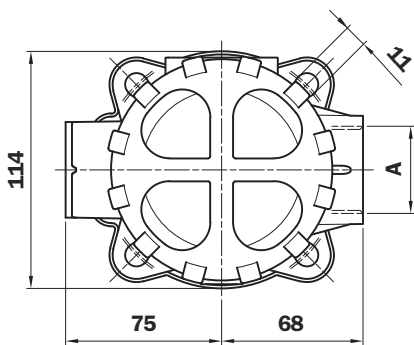
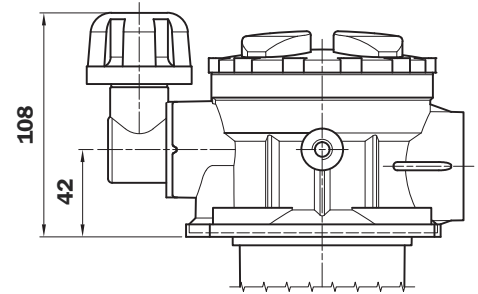
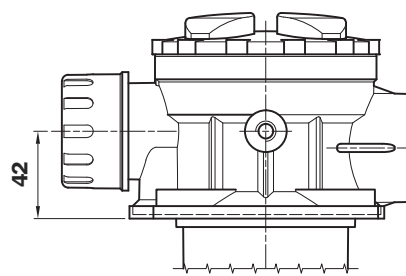
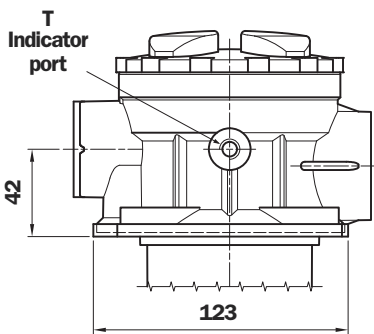
# MPT 114



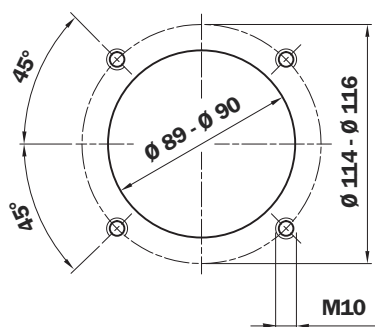
Version "S"  
Without air breather

Version "C"  
With air breather

Version "D" and "P"  
Anti-splash and SAP50



## Holes on the tank



Filter Length	H mm	H1 mm	ø e mm
1	97	120	38
2	144	170	38
3	222	250	46,5
4	324	350	46,5

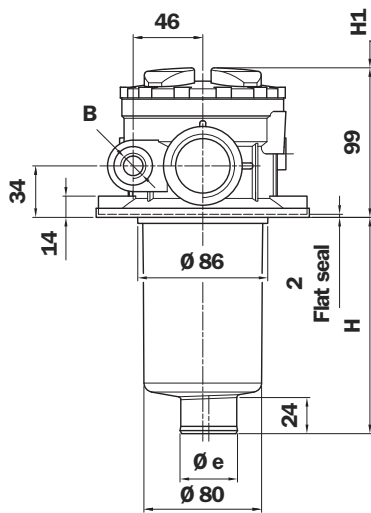
T indicator port  
G 1/4" - 1/4" NPT  
ON REQUEST

## Thread connections A

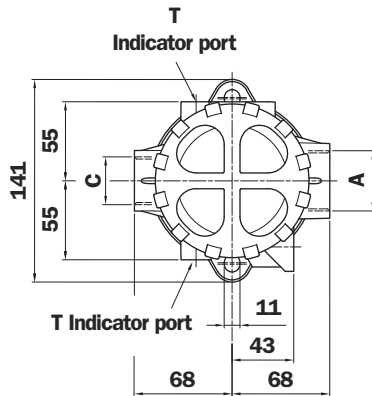
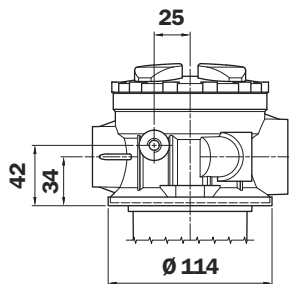
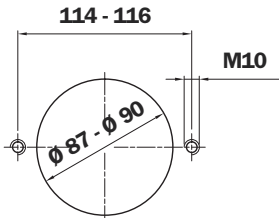
Type	A	T
G1	G 3/4"	G 1/8"
G2	G 1"	G 1/8"
G3	G 1 1/4"	G 1/8"
G4	3/4" NPT	1/8" NPT
G5	1" NPT	1/8" NPT
G6	1 1/4" NPT	1/8" NPT
G7	SAE 12 - 1 1/16" - 12 UN	1/8" NPT
G8	SAE 16 - 1 5/16" - 12 UN	1/8" NPT
G9	SAE 20 - 1 5/8" - 12 UN	1/8" NPT



# MPT 120



## Holes on the tank



Filter Length	H mm	H1 mm	Ø e mm
1	97	120	38
2	144	170	38
3	222	250	46,5
4	324	350	46,5

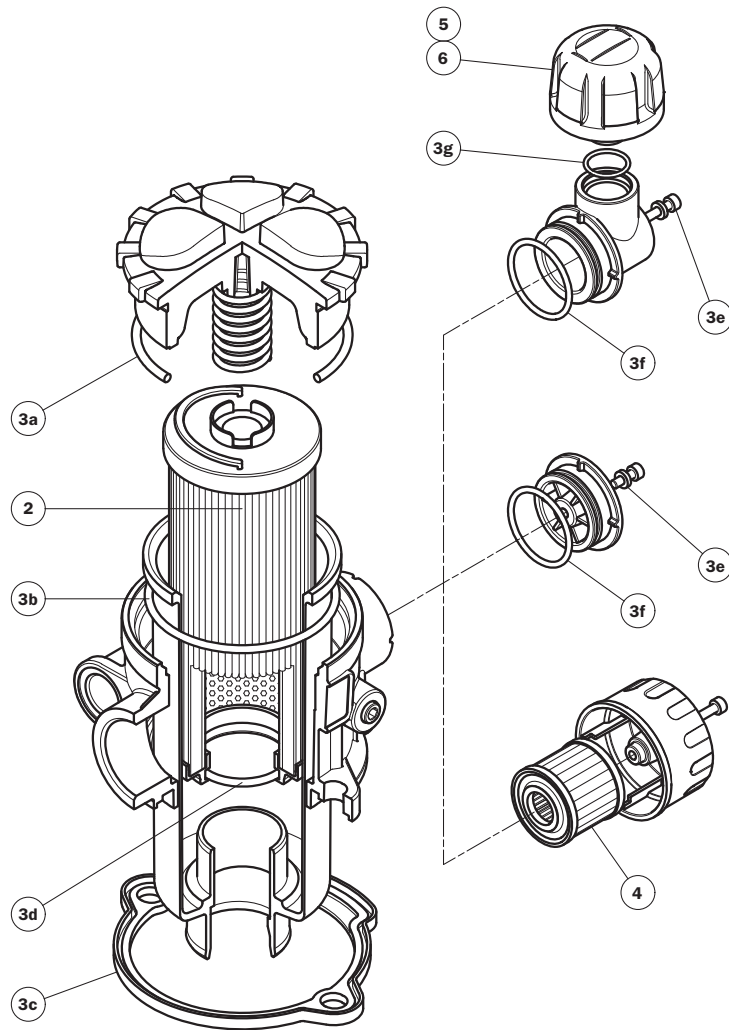
T indicator port  
G 1/4" - 1/4" NPT  
ON REQUEST

## Thread connections A and C

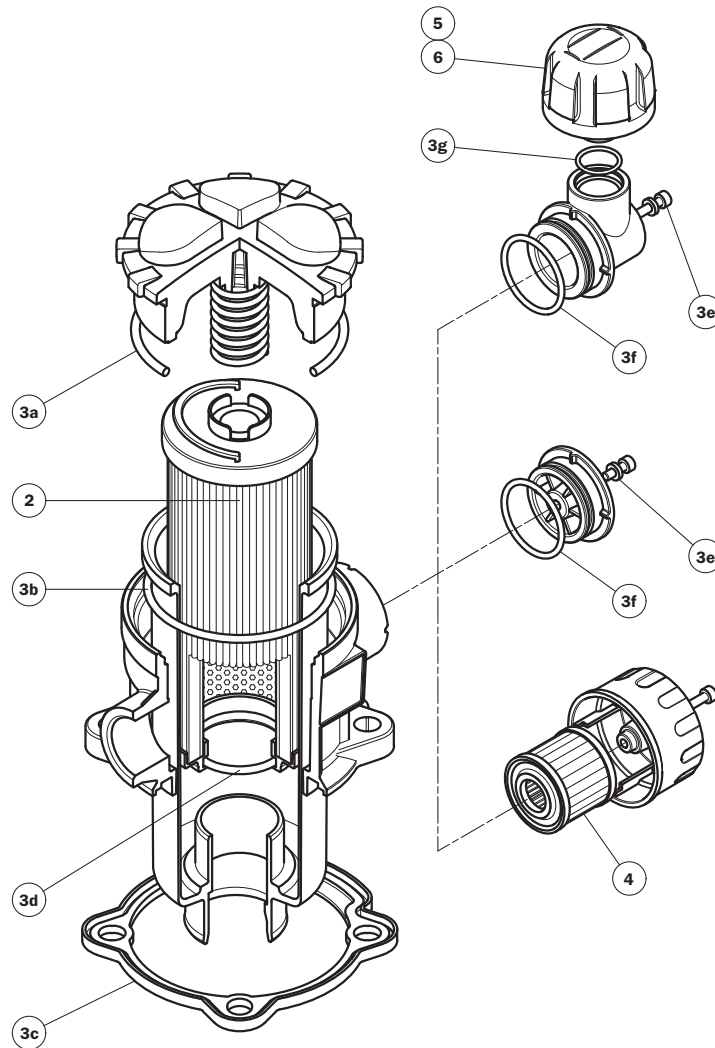
Type	A	C	T
G1	G 3/4"	G 3/4"	G 1/8"
G2	G 1"	G 1"	G 1/8"
G3	G 1 1/4"	G 3/4"	G 1/8"
G4	3/4" NPT	3/4" NPT	1/8" NPT
G5	1" NPT	1" NPT	1/8" NPT
G6	1 1/4" NPT	3/4" NPT	1/8" NPT
G7	SAE 12 - 1 1/16" - 12 UN	SAE 12 - 1 1/16" - 12 UN	1/8" NPT
G8	SAE 16 - 1 5/16" - 12 UN	SAE 16 - 1 5/16" - 12 UN	1/8" NPT
G9	SAE 20 - 1 5/8" - 12 UN	SAE 12 - 1 1/16" - 12 UN	1/8" NPT

Thread connections A	Thread connections B		
	0	1	2
G1 - G2 - G3	not machined	G 3/8"	G 1/2"
G4 - G5 - G6	not machined	3/8" NPT	1/2" NPT
G7 - G8 - G9	not machined	SAE 6 - 9/16" - 18 UNF	SAE 8 - 3/4" - 16 UNF

# Spare parts

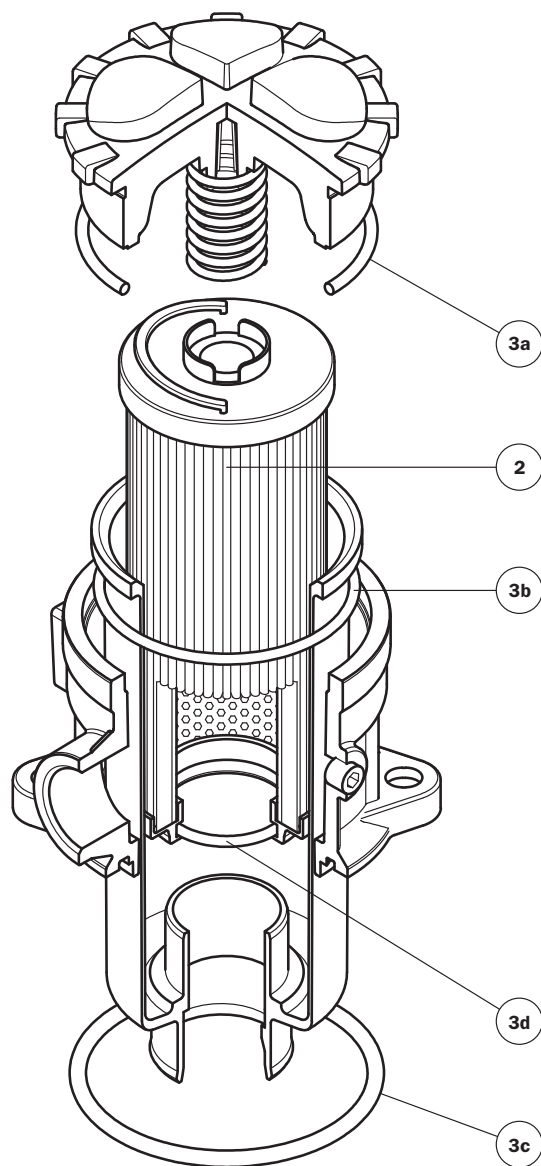


Item	Description	Q.ty	FILTER Series					
			MPT 025		MPT 027		MPT 110	
1	Filter assembly	1	See order table					
2	Filter element	1	See order table					
3	Seal Kit	1	NBR 02050557	FPM 02050558	NBR 02050559	FPM 02050560	NBR 02050561	FPM 02050562
3a	Cover seal	1	O-R Metric Ø 59 x 3		O-R Metric Ø 59 x 3		O-R Metric Ø 90 x 4	
3b	Bowl seal	1	O-R 3200 Ø 50,47 x 2,62		O-R 3200 Ø 50,47 x 2,62		O-R 4312 Ø 78,97 x 3,53	
3c	Head seal	1	01026268	01026298	01026260	01026343	01026351	01026352
3d	Filter element seal	1	Length 1-2	O-R 4087 Ø 21,82 x 3,53	Length 1-2	O-R 4087 Ø 21,82 x 3,53	Length 1-2	O-R 4112 Ø 28,17 x 3,53
			Length 3	O-R 3081 Ø 20,24 x 2,62	Length 3	O-R 3081 Ø 20,24 x 2,62	Length 3-4	O-R 4162 Ø 40,86 x 3,53
3e	Air breather screw seal	1	01026346	01026347	01026346	01026347	01026346	01026347
3f	Plug - Anti-splash seal	1	O-R 130 Ø 22,22 x 2,62		O-R 130 Ø 22,22 x 2,62		O-R 3131 Ø 32,99 x 2,62	
3g	SAP50 seal	1	O-R 2068 Ø 17,17 x 1,78		O-R 2068 Ø 17,17 x 1,78		O-R 2068 Ø 17,17 x 1,78	
4	Air breather filter element "C" version	1	10 µm A3L03		10 µm A3L03		10 µm A5L03	
5	Air breather filter element "D" version	1	10 µm SAP50G3L03A0P01		10 µm SAP50G3L03A0P01		10 µm SAP50G3L03A0P01	
6	Air breather filter element "P" version	1	10 µm SAP50G3L03A1P01		10 µm SAP50G3L03A1P01		10 µm SAP50G3L03A1P01	

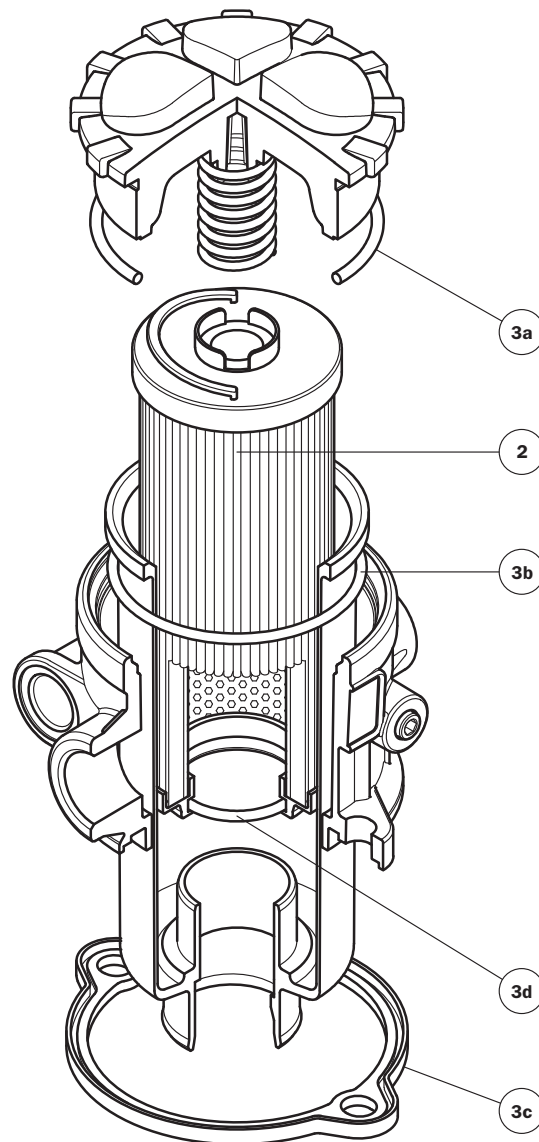


Item	Description	Q.ty	FILTER Series MPT 114	
1	Filter assembly	1	See order table	
2	Filter element	1	See order table	
3	Seal Kit	1	NBR 02050580	FPM 02050581
3a	Cover seal	1	O-R Metric Ø 90 x 4	
3b	Bowl seal	1	O-R 4312 Ø 78,97 x 3,53	
3c	Head seal	1	01026371	01026372
3d	Filter element seal	1	Length 1-2	O-R 4112 Ø 28,17 x 3,53
			Length 3-4	O-R 4162 Ø 40,86 x 3,53
3e	Air breather screw seal	1	01026346	01026347
3f	Plug - Anti-splash seal	1	O-R 3131 Ø 32,99 x 2,62	
3g	SAP50 seal	1	O-R 2068 Ø 17,17 x 1,78	
4	Air breather filter element "C" version	1	10 µm A5L03	
5	Air breather filter element "D" version	1	10 µm SAP50G3L03A0P01	
6	Air breather filter element "P" version	1	10 µm SAP50G3L03A1P01	

# Spare parts



Item	Description	Q.ty	FILTER Series	
			MPT 101 S / 104 S	
1	Filter assembly	1	See order table	
2	Filter element	1	See order table	
3	Seal Kit	1	NBR 02050466	FPM 02050467
3a	Cover seal	1	O-R Metric Ø 90 x 4	
3b	Bowl seal	1	O-R 4312 Ø 78,97 x 3,53	
3c	Head seal	1	O-R Metric Ø 90 x 4	
3d	Filter element seal	1	Length 1-2	O-R 4112 Ø 28,17 x 3,53
			Length 3-4	O-R 4162 Ø 40,86 x 3,53



Item	Description	Q.ty	FILTER Series MPT 120	
			NBR	FPM
<b>1</b>	Filter assembly	1	See order table	
<b>2</b>	Filter element	1	See order table	
<b>3</b>	Seal Kit	1	02050563	02050564
<b>3a</b>	Cover seal	1	O-R Metric Ø 90 x 4	
<b>3b</b>	Bowl seal	1	O-R 4312 Ø 78,97 x 3,53	
<b>3c</b>	Head seal	1	01026361	01026362
<b>3d</b>	Filter element seal	1	Length 1-2	O-R 4112 Ø 28,17 x 3,53
			Length 3-4	O-R 4162 Ø 40,86 x 3,53

# Ordering information MPT 025-027-101-104-114

<b>Filter assembly</b>	<b>1</b>	<b>2</b>	<b>3</b>	<b>4</b>	<b>5</b>	<b>6</b>	<b>9</b>	<b>10</b>
<b>MPT</b>	<input type="checkbox"/>	<input type="checkbox"/>	<input type="checkbox"/>	<input type="checkbox"/>	<input type="checkbox"/>	<input type="checkbox"/>	<input type="checkbox"/>	<input type="checkbox"/>

**Example 1: MPT**    **025**    **2**    **D**    **A**    **G3**    **A06**    **E**    **P01**  
**Example 2: MPT**    **104**    **4**    **S**    **A**    **G1**    **M60**    **B**    **P01**

<b>Filter element</b>	<b>1</b>	<b>2</b>	<b>6</b>	<b>7</b>	<b>8</b>	<b>9</b>	<b>10</b>
<b>MF</b>	<input type="checkbox"/>	<input type="checkbox"/>	<input type="checkbox"/>	<input type="checkbox"/>	<input type="checkbox"/>	<input type="checkbox"/>	<input type="checkbox"/>

**Example 1: MF**    **020**    **2**    **A06**    **H**    **B**    **E**    **P01**  
**Example 2: MF**    **100**    **4**    **M60**    **N**    **B**    **P01**

## 1 - Style

Filter	Filter element
<b>025</b>	<b>020</b>
<b>027</b>	<b>020</b>
<b>101</b>	<b>100</b>
<b>104</b>	<b>100</b>
<b>114</b>	<b>100</b>

## 2 - Filter length

<b>025</b>	<b>1</b>	<b>2</b>	<b>3</b>	
<b>027</b>	<b>1</b>	<b>2</b>	<b>3</b>	
<b>101</b>	<b>1</b>	<b>2</b>	<b>3</b>	<b>4</b>
<b>104</b>	<b>1</b>	<b>2</b>	<b>3</b>	<b>4</b>
<b>114</b>	<b>1</b>	<b>2</b>	<b>3</b>	<b>4</b>

## 3 - Air breather

<b>S</b>	Without air breather
<b>C</b>	(1) With air breather 10 µm
<b>D</b>	(1) Anti-splash and SAP50 10 µm air breather
<b>P</b>	(1) Anti-splash, SAP50 10 µm air breather and pressurization 0,5 bar

(1) Excluded MPT 101 - 104

## 4 - Filter seals & Treatment

<b>A</b>	NBR
<b>V</b>	FPM
<b>W</b>	NBR, Head anodized - filter element compatible with fluid HFA, HFB, HFC (only for filter element type Axx and Mxx)
<b>Z</b>	FPM, Head anodized - filter element compatible with fluid HFA, HFB, HFC (only for filter element type Axx and Mxx)

## 5 - Connections

Type	MPT 025-027	MPT 101-104-114
<b>G1</b>	G 3/8"	G 3/4"
<b>G2</b>	G 1/2"	G 1"
<b>G3</b>	G 3/4"	G 1 1/4"
<b>G4</b>	3/8" NPT	3/4" NPT
<b>G5</b>	1/2" NPT	1" NPT
<b>G6</b>	3/4" NPT	1 1/4" NPT
<b>G7</b>	SAE 6 - 9/16" - 18 UNF	SAE 12 - 1 1/16" - 12 UN
<b>G8</b>	SAE 8 - 3/4" - 16 UNF	SAE 16 - 1 5/16" - 12 UN
<b>G9</b>	SAE 12 - 1 1/16" - 12 UN	SAE 20 - 1 5/8" - 12 UN

## 6 - Filter element

<b>A03</b>	Inorganic microfibre 3 µm	Absolute filtration Inorganic Microfibre  βx (c) ≥ 1000
<b>A06</b>	Inorganic microfibre 6 µm	
<b>A10</b>	Inorganic microfibre 10 µm	
<b>A16</b>	Inorganic microfibre 16 µm	
<b>A25</b>	Inorganic microfibre 25 µm	
<b>M25</b>	Wire mesh 25 µm	Nominal Filtration
<b>M60</b>	Wire mesh 60 µm	
<b>M90</b>	Wire mesh 90 µm	
<b>P10</b>	Resin - Impregnated paper	Nominal Filtration
<b>P25</b>	Resin - Impregnated paper	

## 7 - Δp Filter element

<b>N</b>	Δp 10 bar (only for filter element type Pxx and Mxx)
<b>H</b>	Δp 10 bar (only for filter element type Axx)
<b>W*</b>	Δp 10 bar (only for filter element type Axx and Mxx)

## 8 - Filter element seals

<b>B</b>	NBR
<b>V</b>	FPM

## 9 - By-pass valve

<b>E</b>	3 bar
<b>B</b>	1,75 bar (omit in the element code - only for 175 bar)

## 10 - Option

<b>P01</b>	MP Filtri standard
------------	--------------------

\* Compatible with fluid HFA, HFB, HFC

**For Clogging Indicator:**  
See page 324

**MP Filtri** - The filter functions as described in this bulletin are valid exclusively for original MP Filtri filter elements and replacement parts. All rights reserved.

The data in this publication are purely guideline. MP Filtri reserves the right to make changes to the models described herein at any time it deems fit in relation to technical or commercial requirements.  
The colours of the products shown on the cover are purely guideline. Copyright. All rights reserved.

# Ordering information MPT 110 - 120

<b>Filter assembly</b>	<b>1</b>	<b>2</b>	<b>3</b>	<b>4</b>	<b>5</b>	<b>6</b>	<b>7</b>	<b>10</b>	<b>11</b>
<b>MPT</b>	<input type="checkbox"/>	<input type="checkbox"/>	<input type="checkbox"/>	<input type="checkbox"/>	<input type="checkbox"/>	<input type="checkbox"/>	<input type="checkbox"/>	<input type="checkbox"/>	<input type="checkbox"/>

**Example 1: MPT 110 2 C A G3 2 A06 E P01**  
**Example 2: MPT 120 3 A A G3 1 P10 B P01**

<b>Filter element</b>	<b>1</b>	<b>2</b>	<b>7</b>	<b>8</b>	<b>9</b>	<b>10</b>	<b>11</b>
<b>MF</b>	<input type="checkbox"/>	<input type="checkbox"/>	<input type="checkbox"/>	<input type="checkbox"/>	<input type="checkbox"/>	<input type="checkbox"/>	<input type="checkbox"/>

**Example 1: MF 100 2 A06 H B E P01**  
**Example 2: MF 100 3 P10 N B B P01**

## 1 - Style

Filter	Filter element
<input type="checkbox"/> 110	<input type="checkbox"/> 100
<input type="checkbox"/> 120	<input type="checkbox"/> 100

## 2 - Filter length

<input type="checkbox"/> 110	<input type="checkbox"/> 1	<input type="checkbox"/> 2	<input type="checkbox"/> 3	<input type="checkbox"/> 4
<input type="checkbox"/> 120	<input type="checkbox"/> 1	<input type="checkbox"/> 2	<input type="checkbox"/> 3	<input type="checkbox"/> 4

## 3 - Air breather (omit for MPT 120)

- S** Without air breather
- C** With air breather 10 µm
- D** Anti-splash and SAP50 10 µm air breather
- P** Anti-splash and SAP50 10 µm air breather pressurization 0,5 bar

## 4 - Filter seals & Treatment

- A** NBR
- V** FPM
- W** NBR, Head anodized - filter element compatible with fluid HFA, HFB, HFC (only for filter element type Axx and Mxx)
- Z** FPM, Head anodized - filter element compatible with fluid HFA, HFB, HFC (only for filter element type Axx and Mxx)

## 5 - Connections A - C

**MPT 110 Connections A**  
**MPT 120 Connections A and C**

Type	A	C
<b>G1</b>	G 3/4"	G 3/4"
<b>G2</b>	G 1"	G 1"
<b>G3</b>	G 1 1/4"	G 3/4"
<b>G4</b>	3/4" NPT	3/4" NPT
<b>G5</b>	1" NPT	1" NPT
<b>G6</b>	1 1/4" NPT	3/4" NPT
<b>G7</b>	SAE 12 - 1 1/16" - 12 UN	SAE 12 - 1 1/16" - 12 UN
<b>G8</b>	SAE 16 - 1 5/16" - 12 UN	SAE 16 - 1 5/16" - 12 UN
<b>G9</b>	SAE 20 - 1 5/8" - 12 UN	SAE 12 - 1 1/16" - 12 UN

## 6 - Connections B

Type	Connections A		
	G1 - G2 - G3	G4 - G5 - G6	G7 - G8 - G9
<b>0</b>	not machined	not machined	not machined
<b>1</b>	G 3/8"	3/8" NPT	SAE 6 - 9/16" - 18 UNF
<b>2</b>	G 1/2"	1/2" NPT	SAE 8 - 3/4" - 16 UNF

## 7 - Filter element

- A03** Inorganic microfibre 3 µm
  - A06** Inorganic microfibre 6 µm
  - A10** Inorganic microfibre 10 µm
  - A16** Inorganic microfibre 16 µm
  - A25** Inorganic microfibre 25 µm
  - M25** Wire mesh 25 µm
  - M60** Wire mesh 60 µm
  - M90** Wire mesh 90 µm
  - P10** Resin - Impregnated paper
  - P25** Resin - Impregnated paper
- Absolute filtration  
 Inorganic Microfibre  
 βx (c) ≥ 1000  
 Nominal Filtration  
 Nominal Filtration

## 8 - Δp Filter element

- N** Δp 10 bar (only for filter element type Pxx and Mxx)
- H** Δp 10 bar (only for filter element type Axx)
- W\*** Δp 10 bar (only for filter element type Axx and Mxx)

## 9 - Filter element seals

- B** NBR
- V** FPM

## 10 - By-pass valve

- E** 3 bar
- B** 1,75 bar (omit in the element code - only for 1,75 bar)

## 11 - Option

- P01** MP Filtri standard

\* **Compatible with fluid HFA, HFB, HFC**

**For Clogging Indicator:**  
 See page 324

**MP Filtri** - The filter functions as described in this bulletin are valid exclusively for original MP Filtri filter elements and replacement parts. All rights reserved.

The data in this publication are purely guideline. MP Filtri reserves the right to make changes to the models described herein at any time it deems fit in relation to technical or commercial requirements. The colours of the products shown on the cover are purely guideline. Copyright. All rights reserved.