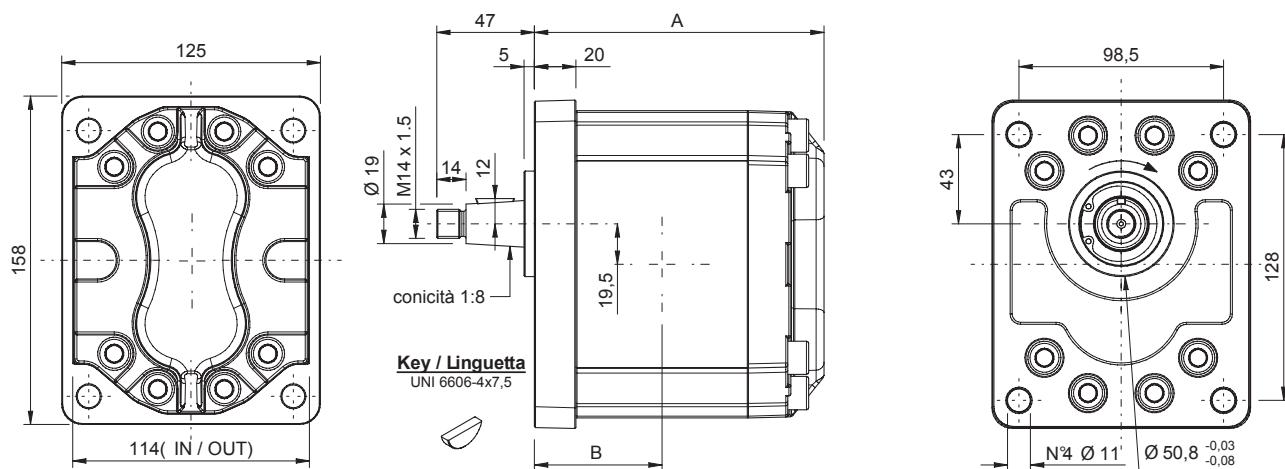


## GR47 - Dimensional drawings / Disegni dimensionali

### GR47 SHAFT AND FLANGE TYPES AND DIMENSIONS / TIPI DI ALBERO E FLANGIA E DIMENSIONI

#### Group 3 pumps / Pompe gruppo 3

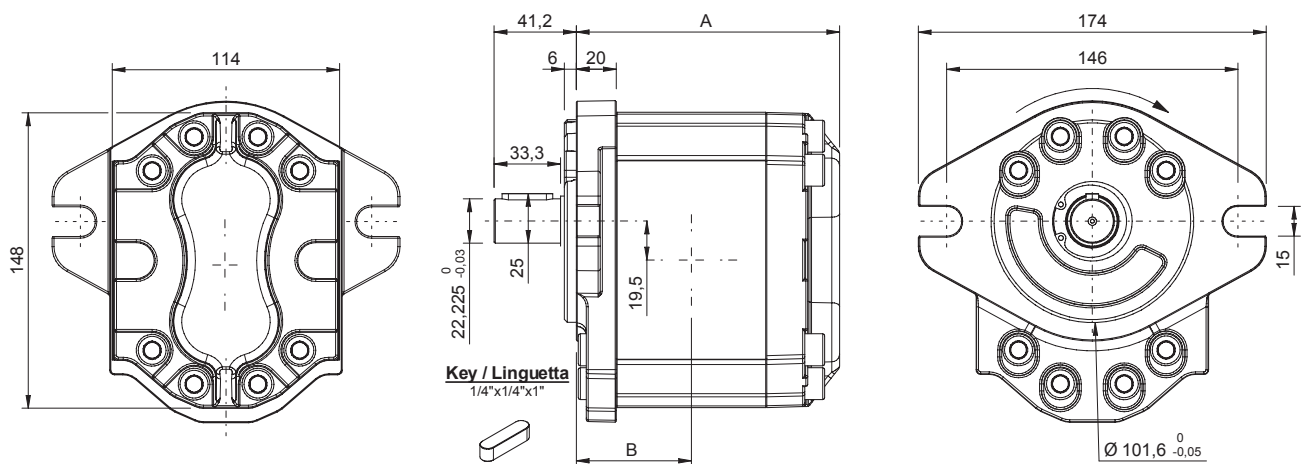
| Type | Class | Flange & Shaft available types | Ports | Weight |
|------|-------|--------------------------------|-------|--------|
| GR47 | 2C    | F3 AC9                         | G-O-U | 10 Kg  |
|      |       | FSAEB AC                       |       |        |
|      |       | FSAEB AT13                     |       |        |



| GR47 - TYPE / TIPO F3 AC9 |      |       |                              |                              |   |  |                                      |                               |
|---------------------------|------|-------|------------------------------|------------------------------|---|--|--------------------------------------|-------------------------------|
| Type<br>Tipo              | CC   | L/min | Dimensions A<br>Dimensioni A | Dimensions B<br>Dimensioni B | Continuous<br>Pressure<br>Pressione<br>continua | Intermittent<br>Pressure<br>Pressione<br>intermittente (*) | Peak pressure<br>Picco pressione (*) | Noise level<br>Livello rumore |
| 28                        | 28,0 | 40,3  | 139,5                        | 61,5                         | 270   | 280  | 300                                  | 57                            |
| 32                        | 32,2 | 46,3  | 143,5                        | 63,5                         | 252   | 270  | 280                                  | 57                            |
| 36                        | 36,3 | 52,3  | 147,5                        | 65,5                         | 239   | 250  | 270                                  | 57                            |
| 40                        | 40,5 | 58,3  | 151,5                        | 67,5                         | 225   | 250  | 270                                  | 57                            |
| 45                        | 45,5 | 65,0  | 156                          | 69,8                         | 213   | 250  | 270                                  | 57                            |
| 50                        | 50,3 | 72,4  | 161                          | 72,3                         | 202   | 250  | 270                                  | 57                            |

Max torque / Coppia max: 320 Nm

\* Intermittent: cycle 20 sec. ON & 3 sec. OFF - Peak: cycle 1 sec. ON & 3 sec OFF. Intermittente: ciclo 20 sec. ON & 3 sec. OFF - Picco: ciclo 1 sec. ON & 3 sec OFF

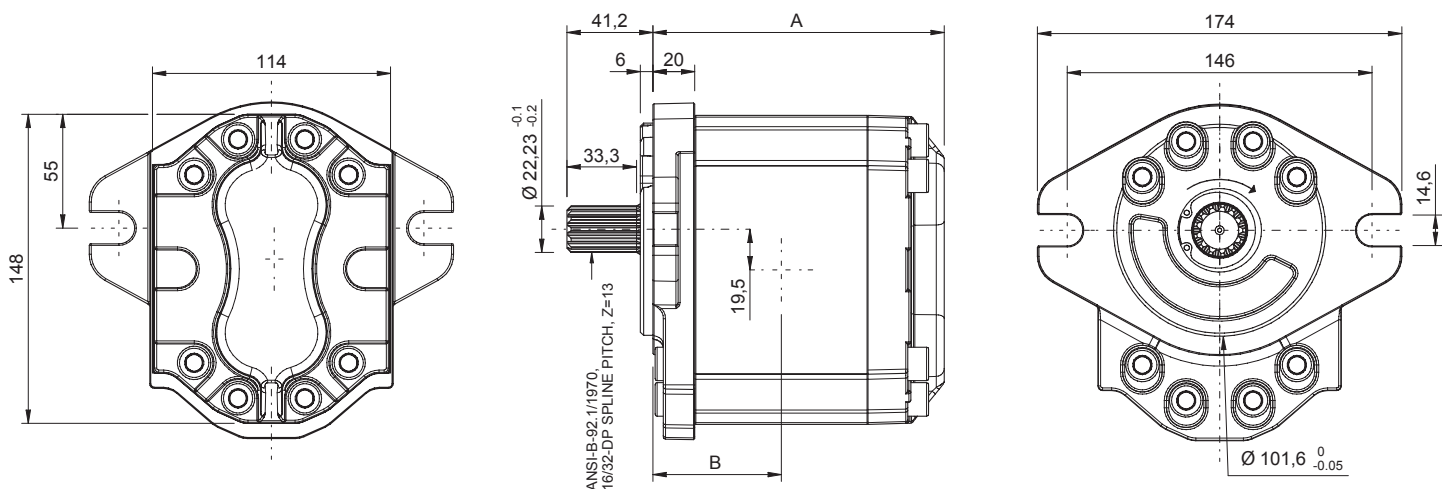


### GR47 - TYPE / TIPO FSAEB AC

| Type<br>Tipo | CC   | L/min | Dimensions A<br>Dimensioni A | Dimensions B<br>Dimensioni B | Continuous Pressure<br>Pressione continua | Intermittent Pressure<br>Pressione intermittente (*) | Peak pressure<br>Picco pressione (*) | Noise level<br>Livello rumore |
|--------------|------|-------|------------------------------|------------------------------|---|--|--------------------------------------|-------------------------------|
| 28           | 28,0 | 40,3  | 139,5                        | 61,5                         | 270                                       | 280  | 300                                  | 57                            |
| 32           | 32,2 | 46,3  | 143,5                        | 63,5                         | 252                                       | 270  | 280                                  | 57                            |
| 36           | 36,3 | 52,3  | 147,5                        | 65,5                         | 239                                       | 250  | 270                                  | 57                            |
| 40           | 40,5 | 58,3  | 151,5                        | 67,5                         | 225                                       | 250  | 270                                  | 57                            |
| 45           | 45,5 | 65,0  | 156                          | 69,8                         | 213                                       | 250  | 270                                  | 57                            |
| 50           | 50,3 | 72,4  | 161                          | 72,3                         | 202                                       | 250  | 270                                  | 57                            |

Max torque / Coppia max: 450 Nm - Max torque / Coppia max: 600 Nm

\* Intermittent: cycle 20 sec. ON & 3 sec. OFF - Peak: cycle 1 sec. ON & 3 sec OFF. Intermittente: ciclo 20 sec. ON & 3 sec. OFF - Picco: ciclo 1 sec. ON & 3 sec OFF



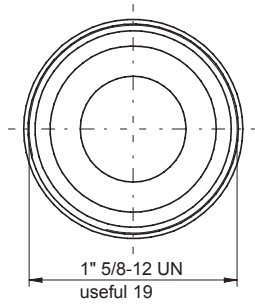
### GR47 - TYPE / TIPO FSAEB AT13

| Type<br>Tipo | CC   | L/min | Dimensions A<br>Dimensioni A | Dimensions B<br>Dimensioni B | Continuous Pressure<br>Pressione continua | Intermittent Pressure<br>Pressione intermittente (*) | Peak pressure<br>Picco pressione (*) | Noise level<br>Livello rumore |
|--------------|------|-------|------------------------------|------------------------------|---|--|--------------------------------------|-------------------------------|
| 28           | 28,0 | 40,3  | 139,5                        | 61,5                         | 270                                       | 280  | 300                                  | 57                            |
| 32           | 32,2 | 46,3  | 143,5                        | 63,5                         | 252                                       | 270  | 280                                  | 57                            |
| 36           | 36,3 | 52,3  | 147,5                        | 65,5                         | 239                                       | 250  | 270                                  | 57                            |
| 40           | 40,5 | 58,3  | 151,5                        | 67,5                         | 225                                       | 250  | 270                                  | 57                            |
| 45           | 45,5 | 65,0  | 156                          | 69,8                         | 213                                       | 250  | 270                                  | 57                            |
| 50           | 50,3 | 72,4  | 161                          | 72,3                         | 202                                       | 250  | 270                                  | 57                            |

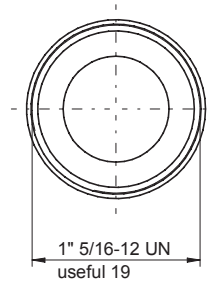
Max torque / Coppia max: 450 Nm - Max torque / Coppia max: 600 Nm

\* Intermittent: cycle 20 sec. ON & 3 sec. OFF - Peak: cycle 1 sec. ON & 3 sec OFF. Intermittente: ciclo 20 sec. ON & 3 sec. OFF - Picco: ciclo 1 sec. ON & 3 sec OFF

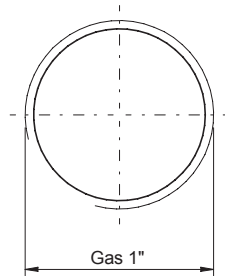
**Suction port**  
Type "U"



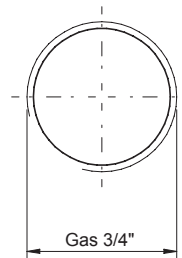
**Pressure port**  
Type "U"



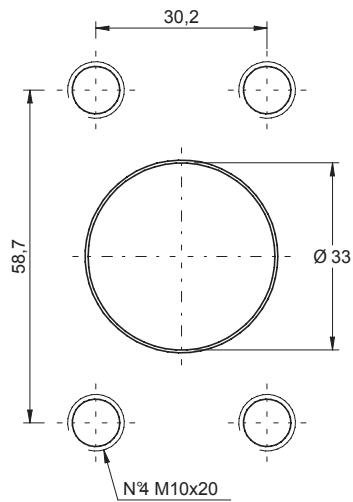
**Suction port**  
Type "G"



**Pressure port**  
Type "G"



**Suction port**  
Type "O"



**Pressure port**  
Type "O"

