

11.5.1 TECHNICAL DATA

MAX OPERATING PRESSURE (PS) of nitrogen: 300 bar

PRESSURE TEST (PT): 1.43 x PS

MIN. SUPPLY PRESSURE NITROGEN: 6 bar

WORKING TEMPERATURE: -20 ÷ +80 °C

MEDIUM: Nitrogen

PRESSURE GAUGE RANGE: 0 ÷ 400 bar

FLOW RATE: 13 m³/h

SIDE CONNECTION BOTTLE: upon request

ACCUMULATOR SIDE CONNECTION: upon request

HOSE LENGTH: 6 mt.

THREE-PHASE MOTOR: 400 V - 50Hz

MAX. P.: 4 Kw

SAFETY TYPE: IP 55

ELECTRICAL CONNECTION: CEE plug, 5-pole, 16 Amp 400V

CABLE LENGTH: 10 mt.

WEIGHT: Kg. 250

11.5.2 DESCRIPTION

Nitrogen preloading carts are useful in many circumstances and have many advantages compared to simple gas bottle, which are usually loaded at 200 bar. Different models of carts can operate to enhance pressure and flow of standard gas bottles, or to directly generate nitrogen for loading purpose or for storage.

Major advantages are:

- Use of the whole gas bottle content even when preloading pressure is higher than bottle pressure
- Faster loading when there is high preloading pressure or big accumulator volume
- Possibility to generate nitrogen directly from air avoiding any purchase of bottles



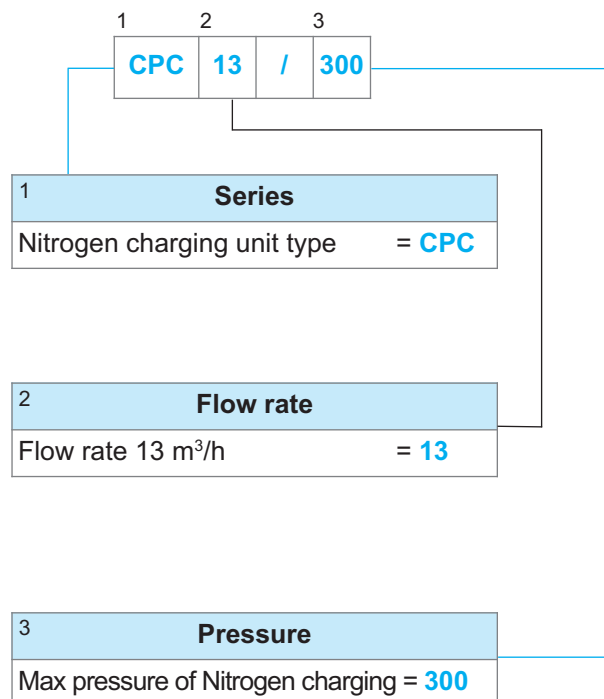
11.5a

11.5.3 ACCESSORIES

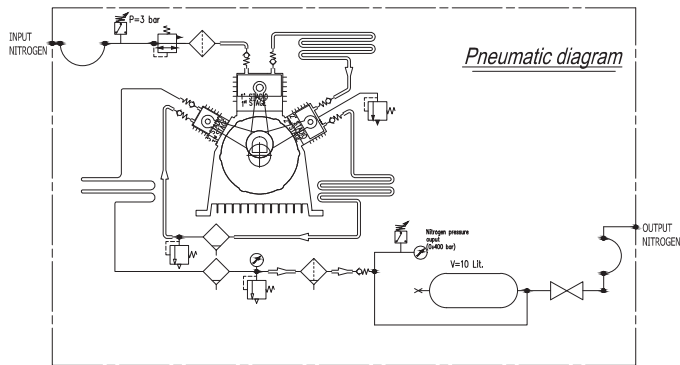
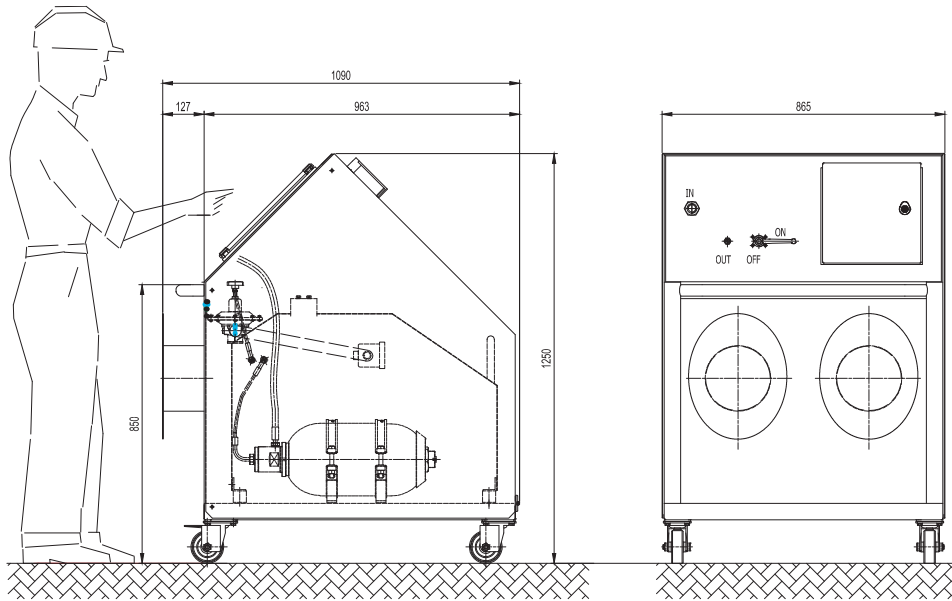
Alternatively, you can use, instead of pre-compressed nitrogen stored in bottles, a trolley which produces nitrogen from compressed air at 8 ÷ 10 bar.

For more information and / or requests, please contact our technical service.

11.5.4 ORDER CODE



11.5.5 DIMENSIONS AND HYDRAULIC DIAPHRAGM



11.5b

Reproduction Is Forbidden.
In The Spirit Of Continuous Improvement, Our Products May Be Changed.