

7.4.1 DESCRIPTION

The single accumulator unit consist of a bladder accumulator (1 ÷ 50 liters or 1/4 ÷ 15 gallons), a safety and shut-off block and the appropriate steel support.

This solution is designed in order to simplify the mounting at the installation site, the connection of the accumulator to the hydraulic system, and in order to reduce the assembling costs.

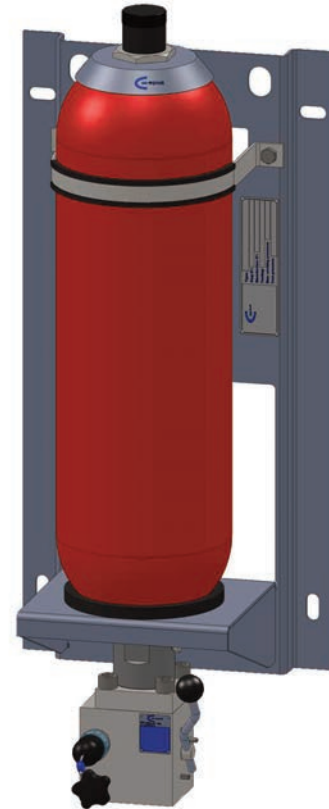
7.4.2 CONSTRUCTION

All the single accumulator units are manufactured of galvanized carbon steel in compliance to directive 2002/95/CE (RoHS) for resist to the corrosion, on request they can be supplied in stainless steel version.

DESIGN: Pressure Equipment Directive PED 2014/68/EU (others on request)

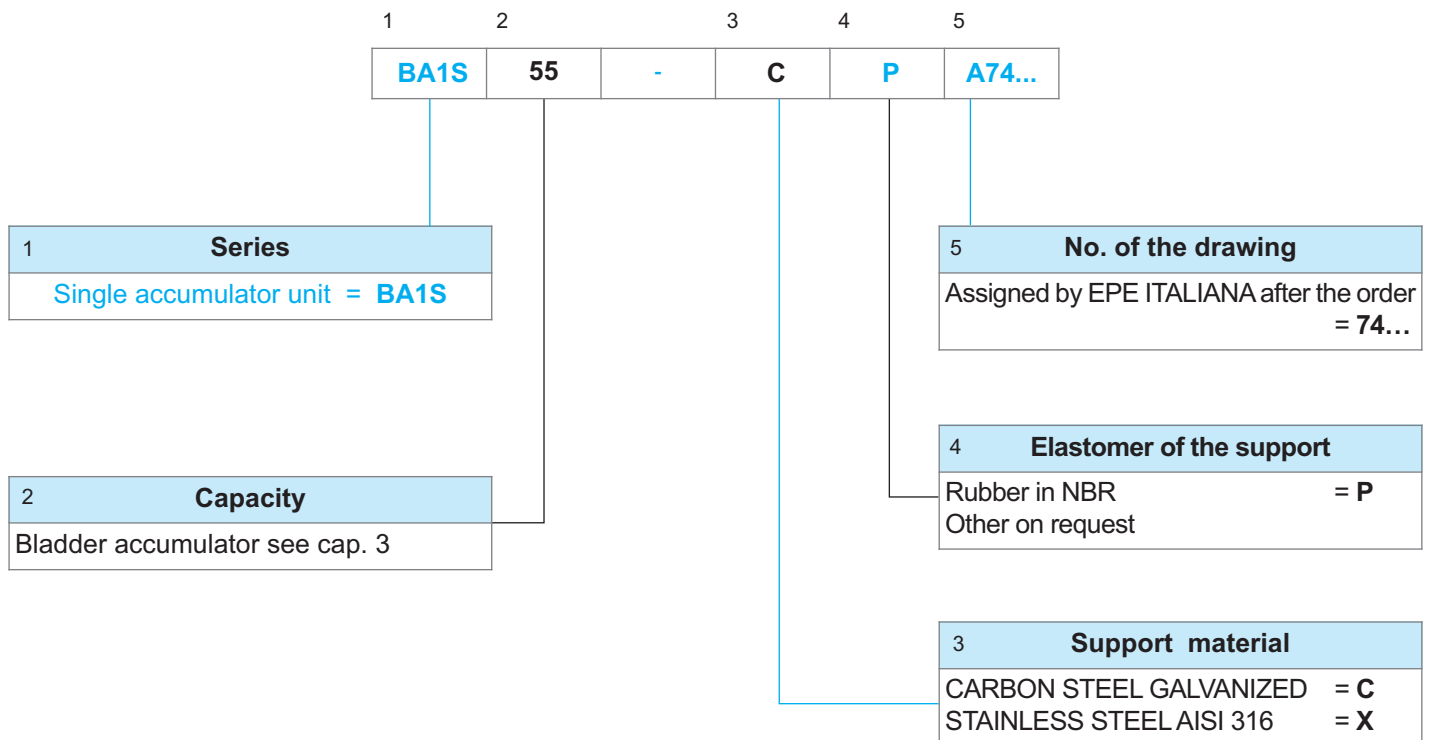
CONSTRUCTION:

- accumulator AS: see section 3.1
- accumulator low pressure type ASB: see section 3.3
- accumulator ASA: see section 3.5
- safety and shut-off block: see section 8 and 9

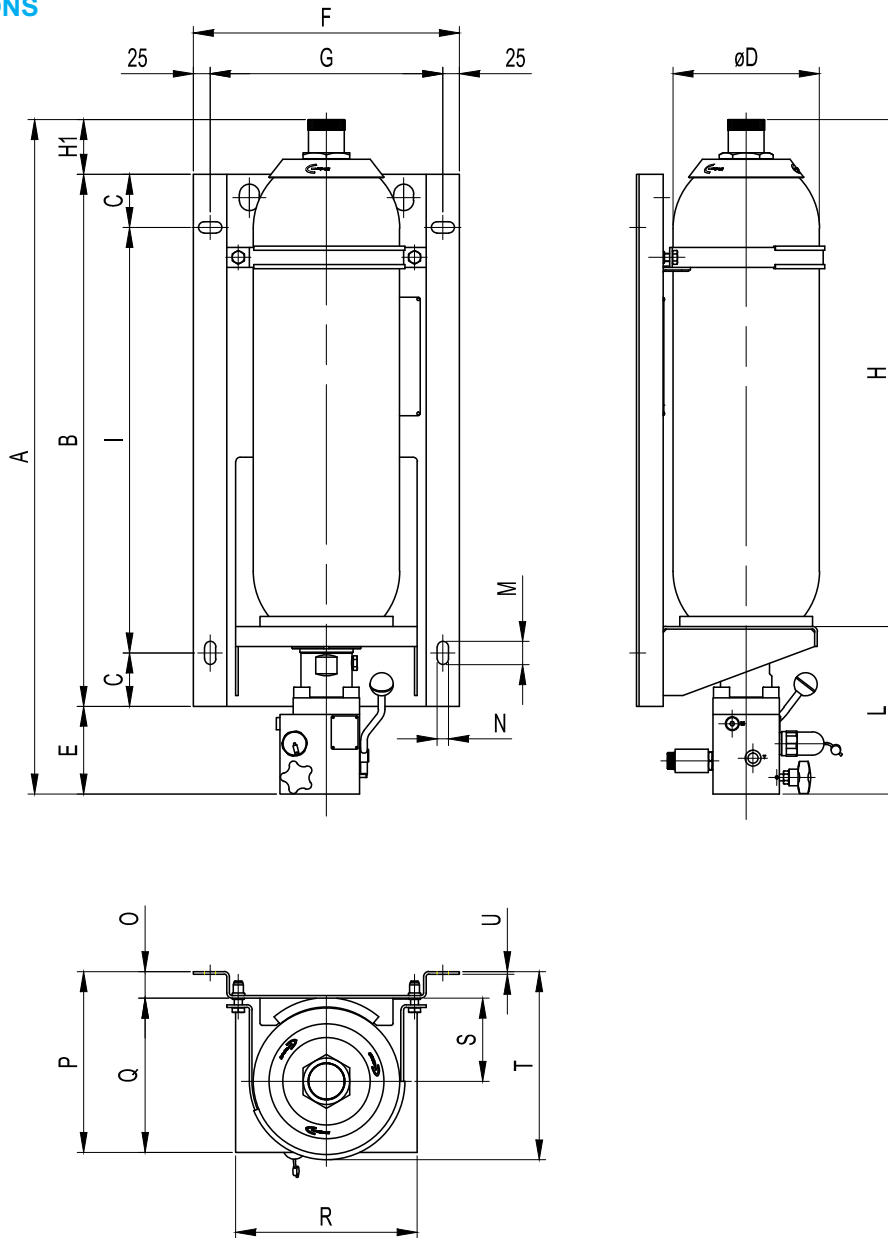


7.4a

7.4.3 ORDER CODE



7.4.5 DIMENSIONS



7.4b

Accumulator type	A	B	C	øD	E	F	G	H	H1	I	L	M	N	O	P	Q	R	S	T	U
AS10	714	540	40	220	144	400	350	450	30	460	264	35	17	40	272	232	270	125	283	4
AS15	864	540	40	220	144	400	350	600	180	460	264	35	17	40	272	232	270	125	283	4
AS20	1019	790	40	220	144	400	350	755	85	710	264	35	17	40	272	232	270	125	283	4
AS25	1189	790	40	220	144	400	350	925	255	710	264	35	17	40	272	232	270	125	283	4
AS35	1539	1360	40	220	144	400	350	1275	35	1280	264	35	17	40	272	232	270	125	283	4
AS55	2049	1360	40	220	144	400	350	1785	545	1280	264	35	17	40	272	232	270	125	283	4

Reproduction Is Forbidden.

In The Spirit Of Continuous Improvement, Our Products May Be Changed.