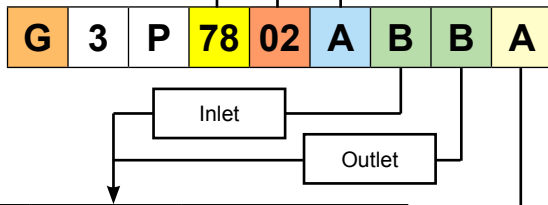
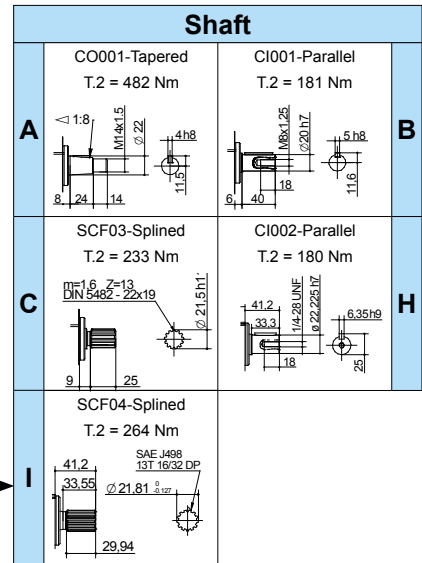
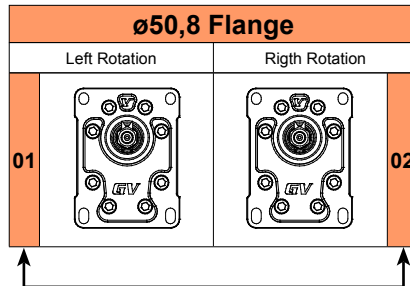


Unidirectional Pump - GV serie "CAST IRON"

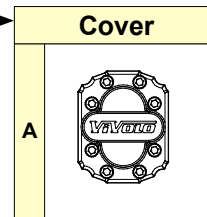
ENCODING STRUCTURE
ø 50,8 FLANGE

GV-3

Displacement	
TYPE	CODE
GV-3P/15	66
GV-3P/18	68
GV-3P/21	70
GV-3P/27	72
GV-3P/32	74
GV-3P/38	78
GV-3P/43	79
GV-3P/47	80
GV-3P/51	81
GV-3P/54	82
GV-3P/61	83
GV-3P/64	85
GV-3P/70	86
GV-3P/74	87
GV-3P/90	89



TYPE	Standard Bodies					
	Standard Threads/Flanges					
	European	German		Bsp		
GV-3P/15	A-A		H-H	G-H	D-D	E-D
GV-3P/18	A-A		H-H	G-H	D-D	E-D
GV-3P/21	A-A	B-A	H-H	G-H	D-D	E-D
GV-3P/27	A-A	B-A	H-H	G-H	E-E	E-D
GV-3P/32	B-B	B-A	H-H	G-H	E-E	E-D
GV-3P/38	B-B	B-A	H-H	G-H	E-E	E-D
GV-3P/43	B-B	B-A	H-H	G-H	E-E	F-E
GV-3P/47	B-B	B-A	H-H	G-H	E-E	F-E
GV-3P/51	B-B	B-A	H-H	G-H	E-E	F-E
GV-3P/54	B-B	B-A	H-H	G-H	E-E	F-E
GV-3P/61	C-C	C-B	H-H	G-H	F-F	F-E
GV-3P/64	C-C	C-B	H-H		F-F	F-E
GV-3P/70	C-C	C-B	H-H		F-F	F-E
GV-3P/74	C-C	C-B	H-H		F-F	F-E
GV-3P/90	C-C	C-B	H-H		F-F	



BSP	
TYPE	D
R	1/2" BSP
D	3/4" BSP
E	1" BSP
F	1" 1/4 BSP
S	1" 1/2 BSP

EUROPEAN			
TYPE	D	E	F
Q	ø13,5	ø30	M6
A	ø20	ø40	M8
B	ø27	ø51	M10
C	ø62	ø33	M10

SAE - with UNC tread				
TYPE	A	B	D	F
M	22,23	47,63	19	3/8-16UNC
N	16,19	52,37	25	3/8-16UNC
O	30,18	58,72	32	7/16-14UNC
P	35,71	69,85	38	1/2-13UNC

GERMAN			
TYPE	D	E	F
G	ø18	ø55	M8
H	ø26	ø55	M8

SAE - with METRIC tread				
TYPE	A	B	D	F
T	22,23	47,63	19	M10
U	16,19	52,37	25	M10
V	30,18	58,72	32	M10
W	35,71	69,85	38	M12

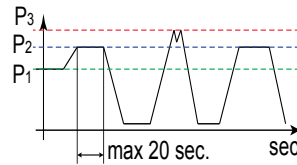
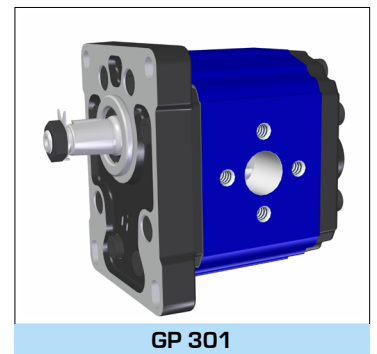
Unidirectional Pump - GV serie "CAST IRON"

EUROPEAN STANDARD PUMP

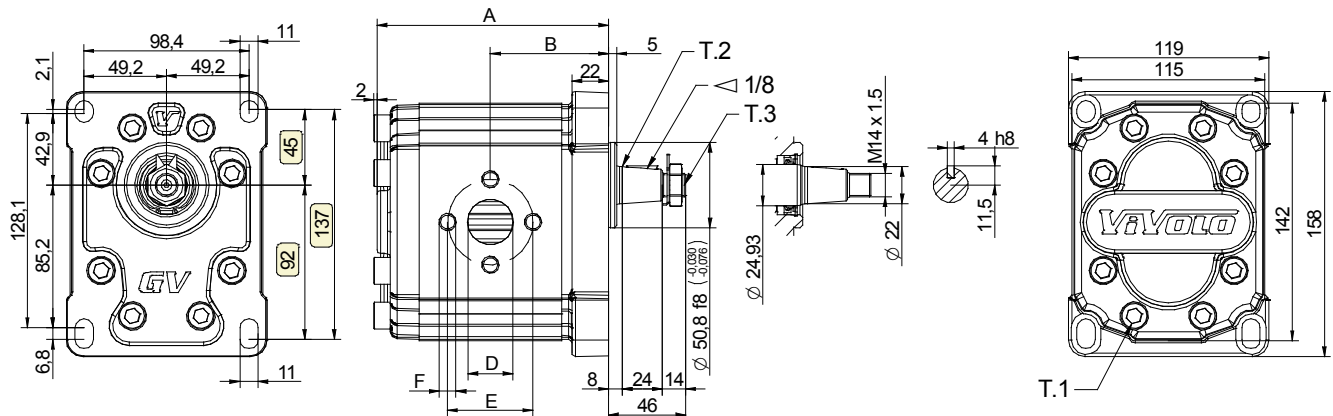
ø50,8 FLANGE - TAPERED SHAFT - STANDARD EUROPEAN PORT

GV-3

TYPE	Displacement cm ³ /rev	Max. Pressure			Min speed rpm	Max speed rpm
		P1 (bar)	P2 (bar)	P3 (bar)		
GV-3P/15	14,89	300	310	320	700	3000
GV-3P/18	17,37	300	310	320	700	3000
GV-3P/21	21,10	280	290	300	700	3000
GV-3P/27	26,97	250	260	270	700	3000
GV-3P/32	32,27	250	260	270	700	3000
GV-3P/38	38,47	250	260	270	700	2800
GV-3P/43	43,44	250	260	270	700	2800
GV-3P/47	47,16	230	240	250	700	2800
GV-3P/51	50,88	230	240	250	700	2800
GV-3P/54	54,60	230	240	250	700	2300
GV-3P/61	60,81	230	240	250	700	2300
GV-3P/64	64,53	210	220	230	700	2300
GV-3P/70	70,74	200	210	220	700	2300
GV-3P/74	74,46	180	190	200	700	2300
GV-3P/90	86,87	150	160	170	700	2300



P1 = Max. working pressure
P2 = Max. intermittent pressure
P3 = Max. peak pressure



09/05/14 -DF881735F11DCCD77FA

T.1 = 54 +58,9 [Nm] - screw tightening torque M 10

T.3 = 75 [Nm] - torque wrench setting 22

T.2 = 482 [Nm] - admissible shaft torque (N.B. When choosing a shaft, always check the admissible torque).

TYPE	Weight kg	A mm	B mm	D IN	E IN	F IN	D OUT	E OUT	F OUT	CODE													
										Left Rotation			Right Rotation										
GV-3P/15	8,430	119	61	ø20	40	M8	ø20	40	M8	G	3P	66	01	A	AA	A	G	3P	66	02	A	AA	A
GV-3P/18	8,530	121	62	ø20	40	M8	ø20	40	M8	G	3P	68	01	A	AA	A	G	3P	68	02	A	AA	A
GV-3P/21	8,680	124	63,5	ø20	40	M8	ø20	40	M8	G	3P	70	01	A	AA	A	G	3P	70	02	A	AA	A
GV-3P/27	8,890	128	65,5	ø20	40	M8	ø20	40	M8	G	3P	72	01	A	AA	A	G	3P	72	02	A	AA	A
GV-3P/32	9,090	133	68	ø27	51	M10	ø27	51	M10	G	3P	74	01	A	BB	A	G	3P	74	02	A	BB	A
GV-3P/38	9,330	138	70,5	ø27	51	M10	ø27	51	M10	G	3P	78	01	A	BB	A	G	3P	78	02	A	BB	A
GV-3P/43	9,560	142	72,5	ø27	51	M10	ø27	51	M10	G	3P	79	01	A	BB	A	G	3P	79	02	A	BB	A
GV-3P/47	9,710	145	74	ø27	51	M10	ø27	51	M10	G	3P	80	01	A	BB	A	G	3P	80	02	A	BB	A
GV-3P/51	9,870	148	75,5	ø27	51	M10	ø27	51	M10	G	3P	81	01	A	BB	A	G	3P	81	02	A	BB	A
GV-3P/54	10,020	151	77	ø27	51	M10	ø27	51	M10	G	3P	82	01	A	BB	A	G	3P	82	02	A	BB	A
GV-3P/61	10,200	156	79,5	ø36	62	M10	ø36	62	M10	G	3P	83	01	A	CC	A	G	3P	83	02	A	CC	A
GV-3P/64	10,350	159	81	ø36	62	M10	ø36	62	M10	G	3P	85	01	A	CC	A	G	3P	85	02	A	CC	A
GV-3P/70	10,610	164	83,5	ø36	62	M10	ø36	62	M10	G	3P	86	01	A	CC	A	G	3P	86	02	A	CC	A
GV-3P/74	10,770	167	85	ø36	62	M10	ø36	62	M10	G	3P	87	01	A	CC	A	G	3P	87	02	A	CC	A
GV-3P/90	11,290	177	90	ø36	62	M10	ø36	62	M10	G	3P	89	01	A	CC	A	G	3P	89	02	A	CC	A