

# S Skive 100

DE 50

Professional workshop



- Plug'n skive system
- Compact & stable
- Safety switch on the cover
- Good visibility
- Tool storage included
- Foot pedal drive with emergency stop
- 2-way rotation



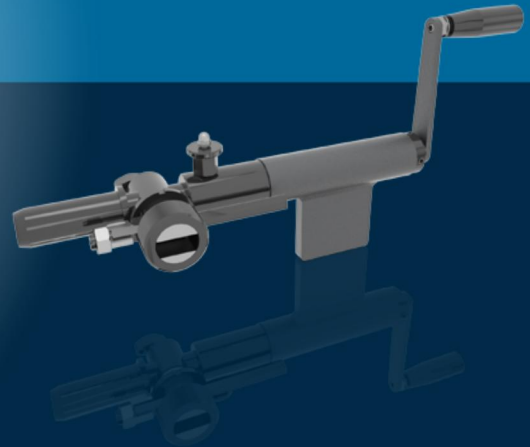
# H Skive

HST 50

Field service & mobile workshop



- Economic
- Simple
- Compact
- Robust
- Plug'n skive system



## Technical features

**Capacity**..... 2"

**Motor** ..... 0,25 kW

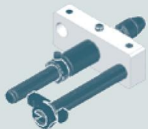
**Rotation Speed**..... 100 rpm

**Tool selection** ..... External: ESE or ESP  
Internal: IS

**Dimensions**..... 500 x 600 x 360 mm - 36 kg

**Packing details** ..... 800 x 600 x 830 mm - 55 kg

**Voltages available**..... 400V 3PH - 230V 3PH



Kit ESP 1



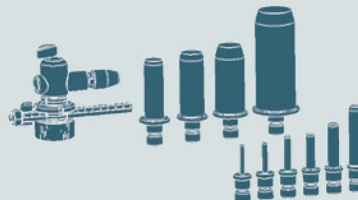
Kit ESP 2

## Technical features

**Capacity**..... 2"

**Tool selection** ..... External: ESE  
Internal: IS

**Dimensions**..... 413 X 52 X 224 mm - 3 kg



Kit ESE



Kit IS

WWW.TECHMAFLEX.COM

26 av. de la Vertonne - 44120 Vertou - FRANCE  
 Tel : + 33 (0)2 400 305 01  
 Fax : + 33 (0)2 400 300 17  
 info@techmaflex.com

