

LOW PRESSURE DUPLEX FILTER LDD and LMD211 (5 MPa)



## PRODUCT OVERVIEW

- ✓ **LDD** is the filter series with DIN 24550-T3 filter elements (sizes 016 / 025 / 040)
- ✓ **LMD211** is the filter series with MP Filtri CU210 filter elements (High DHC version)

### General features:

- ✓ duplex filter
- ✓ changeover valve with integrated balancing function
- ✓ ergonomic handle with safety lock
- ✓ easy installation (fixing holes at the top and bottom)
- ✓ optional sampling ports on the top (1/4")
- ✓ bypass valve 3,5 bar or 6 bar
- ✓ differential indicator (2 bar or 5 bar)
- ✓ vent port and drain port (1/4")
- ✓ DIN 24550-T3 filter elements (DN016 / DN025 / DN040)
- ✓ high DHC filter element available (CU210-3)

### Applications:

- Metal casting
- Transportation industry (Naval)
- Metal processing (machine tools)
- System integrator (compressors / generator set)
- Lube systems

## AVAILABLE MODELS

### LDD - filter with DIN24550-T3 filter elements

- LDD016 (filter with DIN24550-T3 DN160)
- LDD025 (filter with DIN24550-T3 DN250)
- LDD040 (filter with DIN24550-T3 DN400)

### LMD211 - filter with MP Filtri filter elements

- LMD211-1 (filter with MP Filtri CU210-1)
- LMD211-2 (filter with MP Filtri CU210-2)
- LMD211-3 (filter with MP Filtri CU210-3)



## AVAILABLE CONNECTIONS



### Threaded connection:

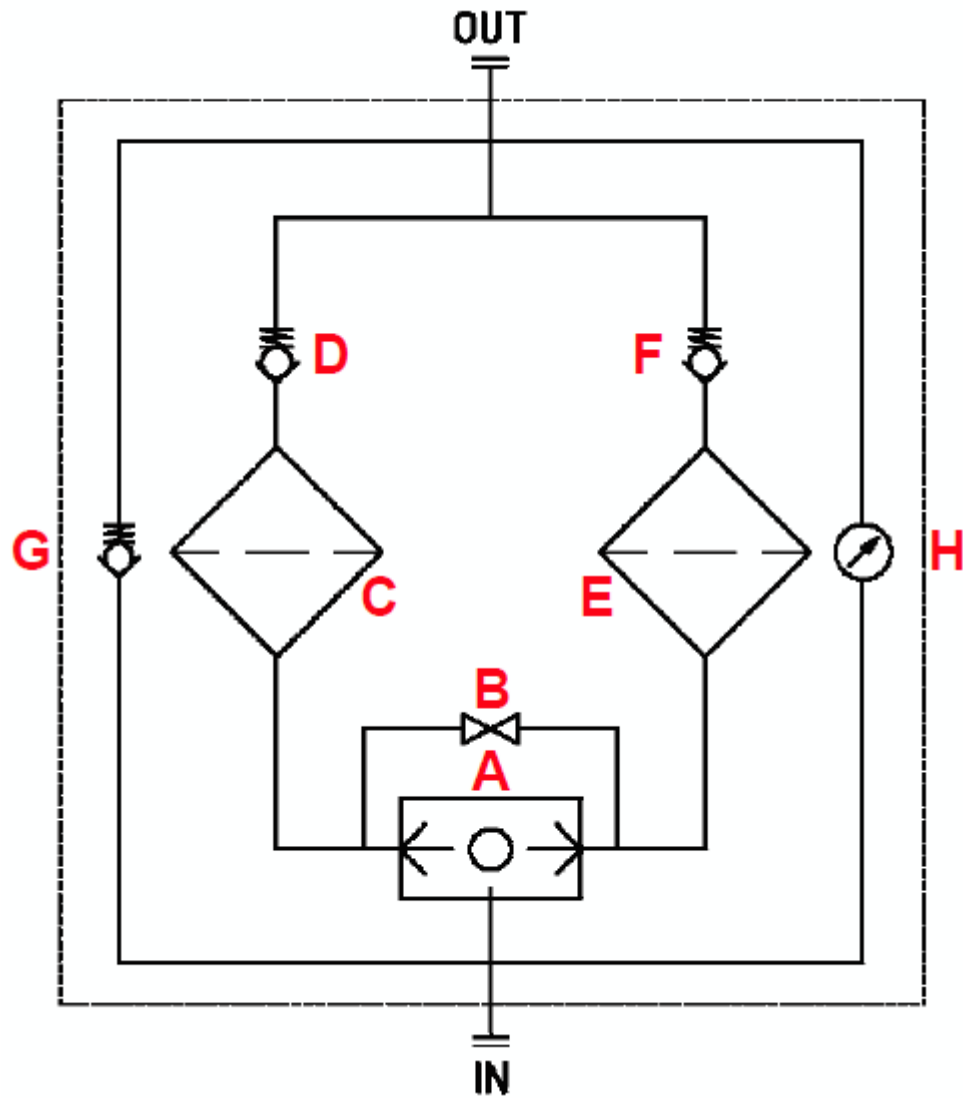
- 1.1/2" BSP
- 1.1/2" NPT
- SAE 24 1.7/8" 12UN



### Double connection:

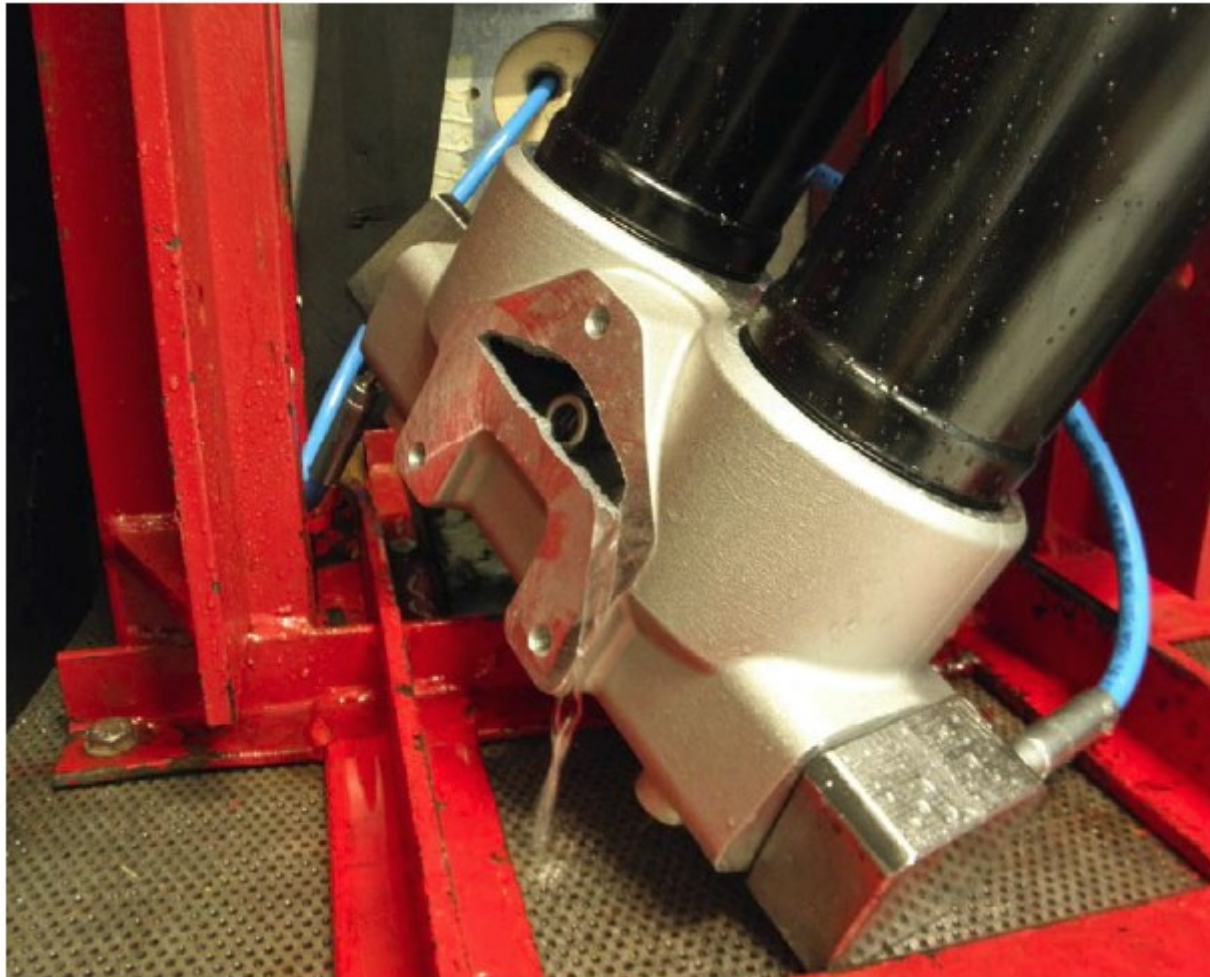
- 1.1/2" SAE 3000 PSI/M + 1.1/4" BSP
- 1.1/2" SAE 3000 PSI/UNC + 1.1/4" NPT
- 1.1/2" SAE 3000 PSI/M + SAE 20 1.5/8" 12UN

## HYDRAULIC SCHEME



- A - changeover valve
- B - balancing valve
- C - left filter section
- D - left filter section check valve
- E - right filter section
- F - right filter section check valve
- G - bypass valve (optional)
- H - differential indicator (optional)

**BURST TEST: 3x WORKING PRESSURE (>15 MPa)**



## CONTACT

We are the official dealer of MP FILTRI products in Poland.



We offer a wide range of filters and accessories  
for mobile systems and for hydraulic industry.

**HYDRO ZNPHS Sp. z o.o.**  
**ul. Strażacka 60**  
**43-382 Bielsko-Biała**  
**Poland**

**tel. +48 33 829 56 87**

**e-mail: [biuro@hydro.com.pl](mailto:biuro@hydro.com.pl)**