

# MPH

**Maximum pressure 10 bar**  
**Flow rates to 3000 l/min**



## Technical data

### Filter housing (Materials)

- Head: Aluminium: MPH 104-110-114-120-250  
 Anodised Aluminium: MPH 630-850  
 Painted Aluminium: MPH 660
- Cover: Nylon: MPH 104-110-114-120  
 Aluminium: MPH 250  
 Anodised Aluminium: MPH 630  
 Painted Aluminium: MPH 660  
 Steel: MPH 850
- Insert assembly: Nylon (only for: MPH 104-110-114-120)  
 Aluminium (all the other)
- Diffuser: Zinc Plated Steel (excluded MPH 850)  
 Tinned Steel: MPH 850
- Valve: Phosphated Steel

### Pressure

- Working pressure: 10 bar (1 MPa)

### Temperature

- From -25 °C to +110 °C

### Bypass valve

- Opening pressure 1,75 bar ±10%
- Opening pressure 2,5 bar ±10% (excluded for MPH 850)

### Δp Elements type

- Microfibre filter elements series MR: 10 bar
- Fluid flow through the filter element from IN to OUT.

### Seals

- Standard NBR series A
- Optional FPM series V

### MPH FILTERS ARE PROVIDED FOR VERTICAL MOUNTING

### Weights (kg)

Length	1	2	3	4	5
• MPH 104-110	1,60	1,70	1,80	2,20	2,60
• MPH 114-120	1,60	1,70	1,80	2,20	2,60
• MPH 250	3,60	3,90	4,20	5,60	-
• MPH 630	6,50	7,00	7,40	8,50	10,50
• MPH 660	-	-	-	11,5	14
• MPH 850	32	35	38	42	-

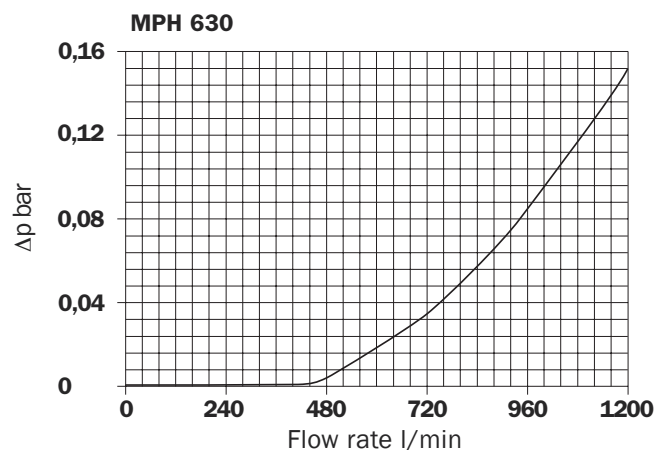
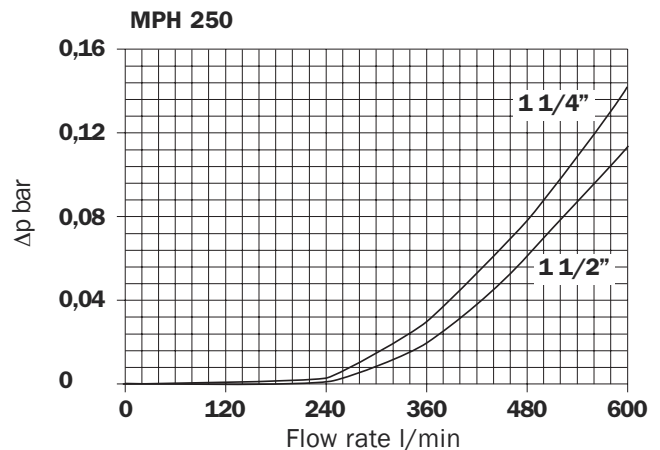
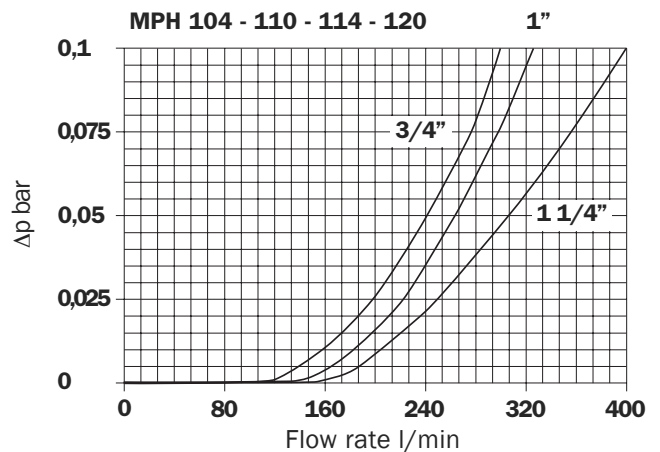
### Volumes (dm<sup>3</sup>)

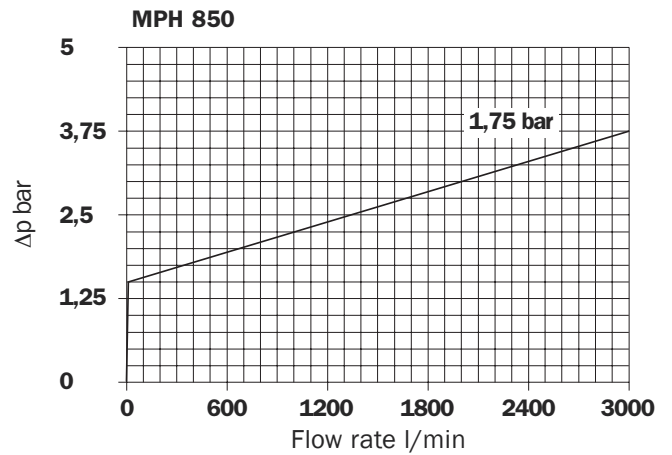
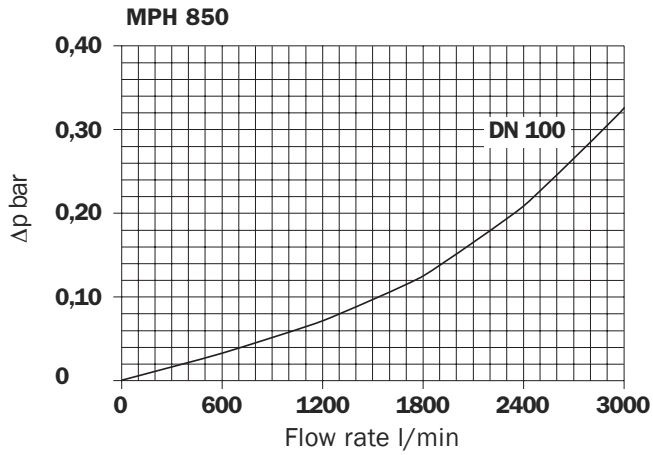
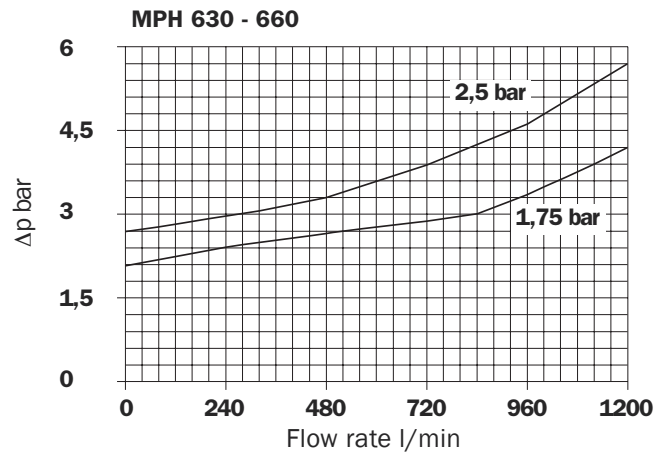
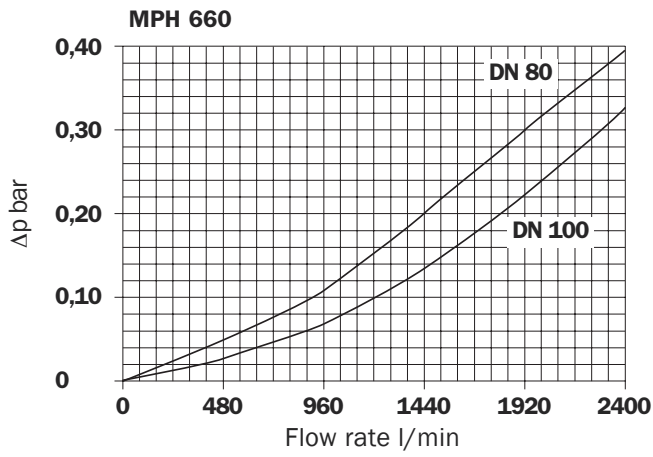
Length	1	2	3	4	5
• MPH 104-110	1,60	1,70	1,80	2,20	2,60
• MPH 114-120	1,60	1,70	1,80	2,20	2,60
• MPH 250	4,40	4,40	5,40	8,00	-
• MPH 630	7,30	9,00	11,0	13	19,2
• MPH 660	-	-	-	14,6	21
• MPH 850	13	16,5	21	25	-

### Filter housings Δp pressure drop

The curves are plotted utilising mineral oil with density of 0,86 kg/dm<sup>3</sup> to ISO 3968.

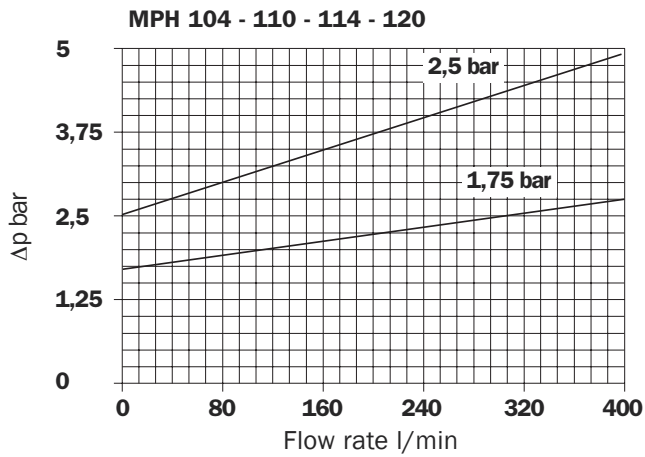
Δp varies proportionally with density.





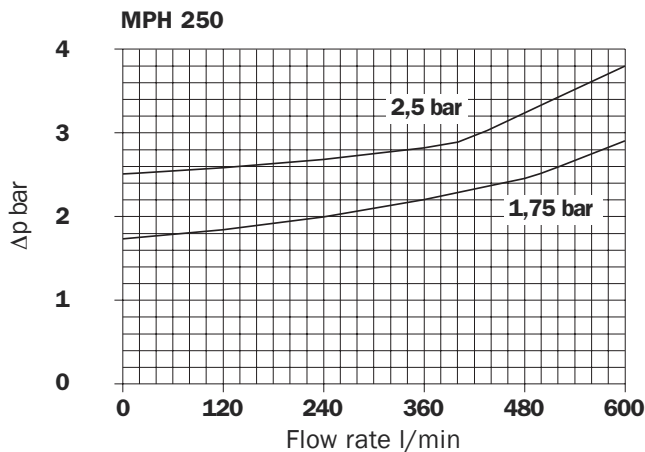
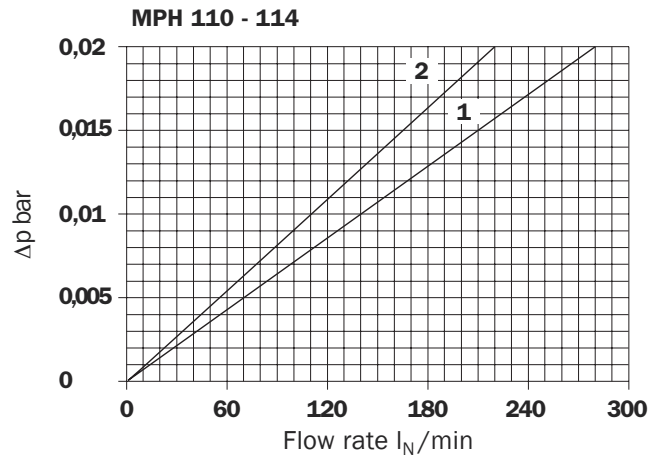
**Valves**

**Bypass valve pressure drop**



**Air breather**

**Pressure drop**

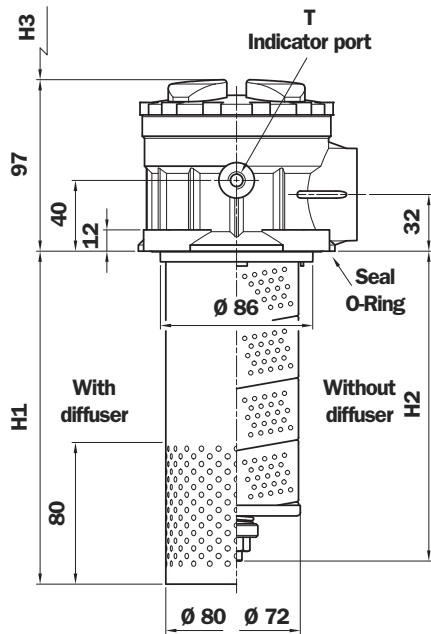


- 1: C With air breather 10 μm
- 2: D With anti-splash and SAP50 10 μm

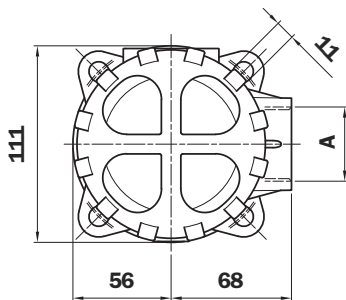
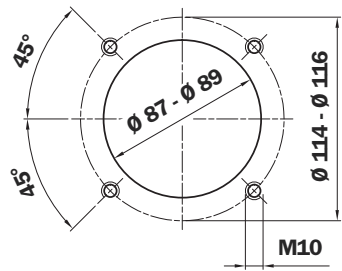


# MPH 104

## Without air breather



### Holes on the tank

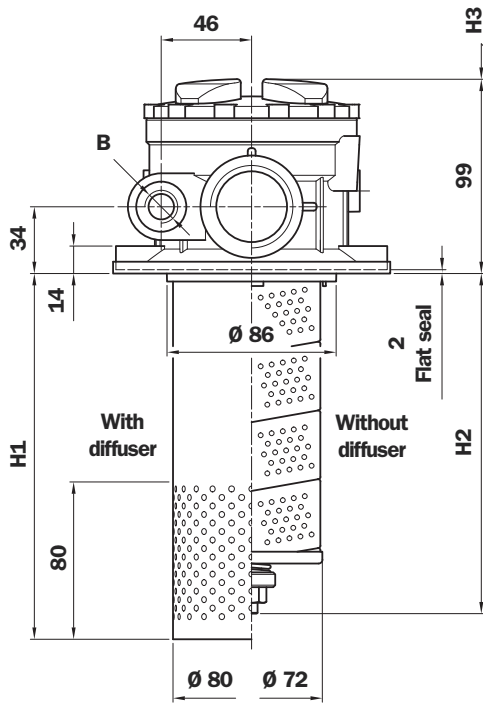


Filter Length	H1 mm	H2 mm	H3 mm
1	190	131	255
2	190	175	255
3	240	225	305
4	340	325	405
5	440	425	505

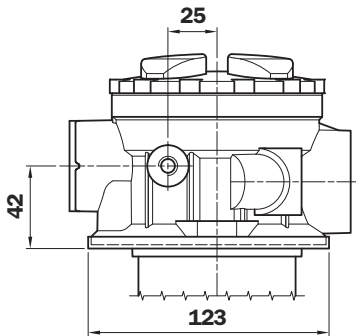
### Thread connections

Type	A	T
G1	G 3/4"	G 1/8"
G2	G 1"	G 1/8"
G3	G 1 1/4"	G 1/8"
G4	3/4" NPT	1/8" NPT
G5	1" NPT	1/8" NPT
G6	1 1/4" NPT	1/8" NPT
G7	SAE 12 - 1 1/6" - 12 UN	1/8" NPT
G8	SAE 16 - 1 5/16" - 12 UN	1/8" NPT
G9	SAE 20 - 1 5/8" - 12 UN	1/8" NPT

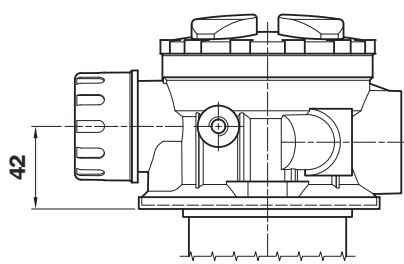
# MPH 110



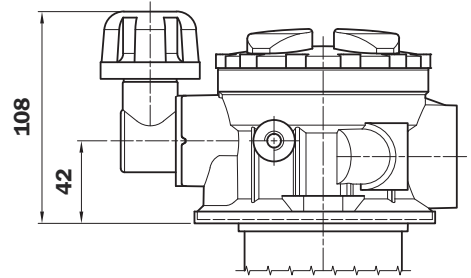
Version "S"  
Without air breather



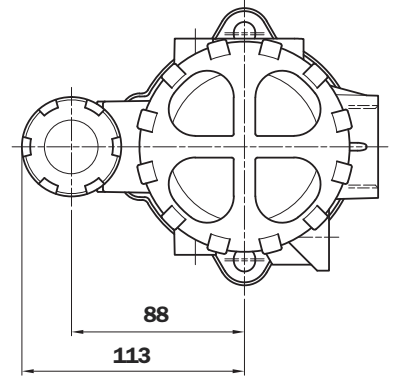
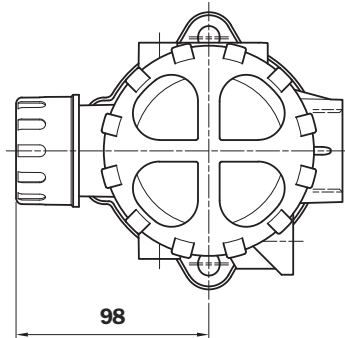
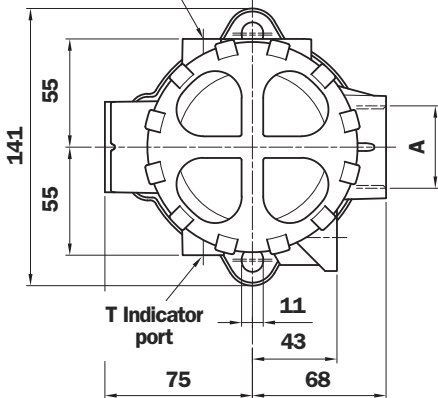
Version "C"  
With air breather



Version "D" and "P"  
Anti-splash and SAP50

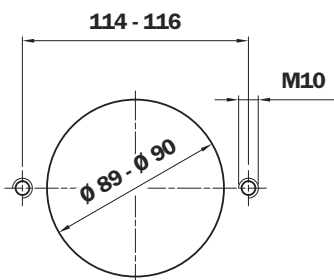


T Indicator port



T indicator port  
G 1/4" - 1/4" NPT  
ON REQUEST

Holes on the tank



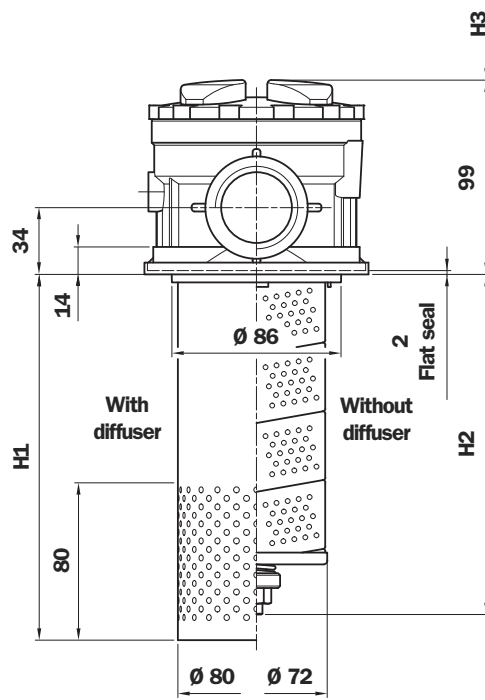
Thread connections A

Type	A	T
G1	G 3/4"	G 1/8"
G2	G 1"	G 1/8"
G3	G 1 1/4"	G 1/8"
G4	3/4" NPT	1/8" NPT
G5	1" NPT	1/8" NPT
G6	1 1/4" NPT	1/8" NPT
G7	SAE 12 - 1 1/16" - 12 UN	1/8" NPT
G8	SAE 16 - 1 5/16" - 12 UN	1/8" NPT
G9	SAE 20 - 1 5/8" - 12 UN	1/8" NPT

Filter Length	H1 mm	H2 mm	H3 mm
1	188	129	255
2	188	173	255
3	238	223	305
4	338	323	405
5	438	423	505

Thread connections A	Thread connections B		
	0	1	2
G1 - G2 - G3	not machined	G 3/8"	G 1/2"
G4 - G5 - G6	not machined	3/8" NPT	1/2" NPT
G7 - G8 - G9	not machined	SAE 6 - 9/16" - 18 UNF	SAE 8 - 3/4" - 16 UNF

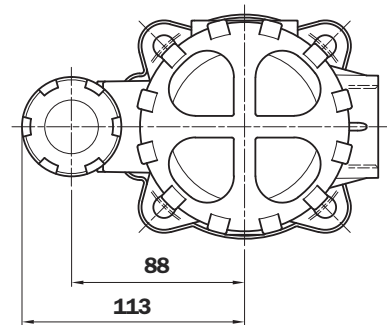
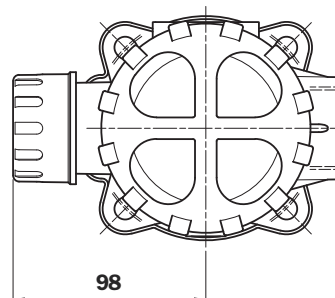
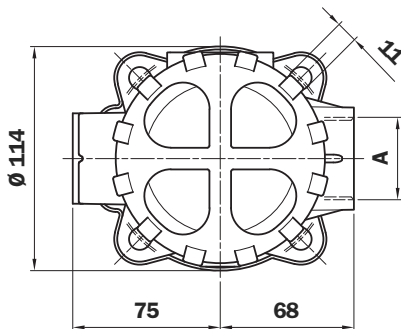
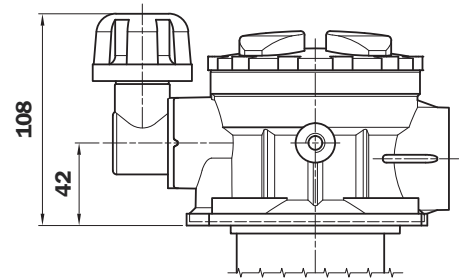
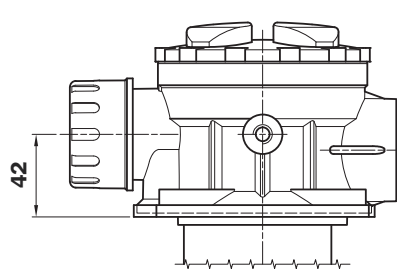
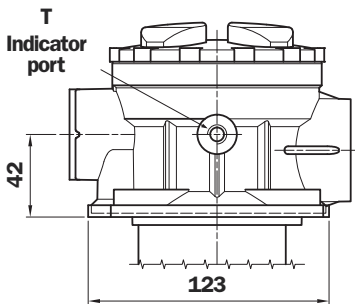
# MPH 114



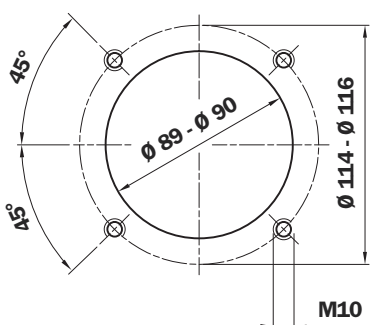
Version "S"  
Without air breather

Version "C"  
With air breather

Version "D" and "P"  
Anti-splash and SAP50



## Holes on the tank



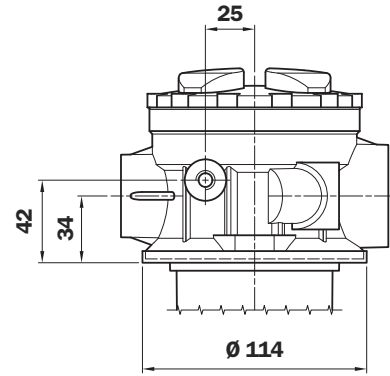
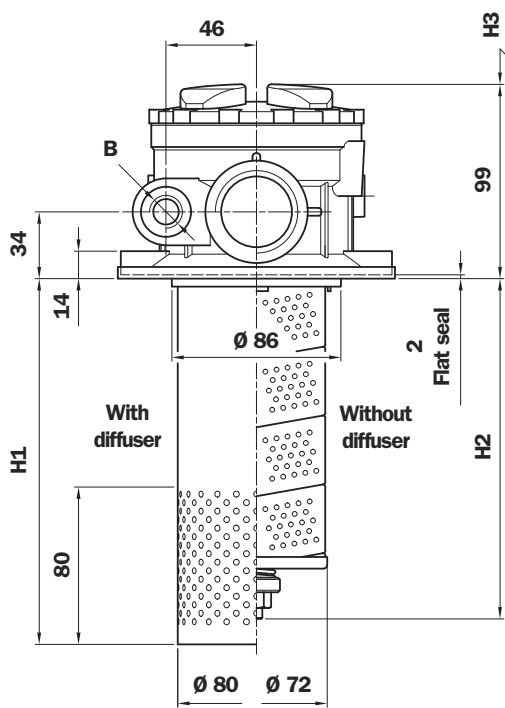
T indicator port  
G 1/4" - 1/4" NPT  
ON REQUEST

Filter Length	H1 mm	H2 mm	H3 mm
1	188	129	255
2	188	173	255
3	238	223	305
4	338	323	405
5	438	423	505

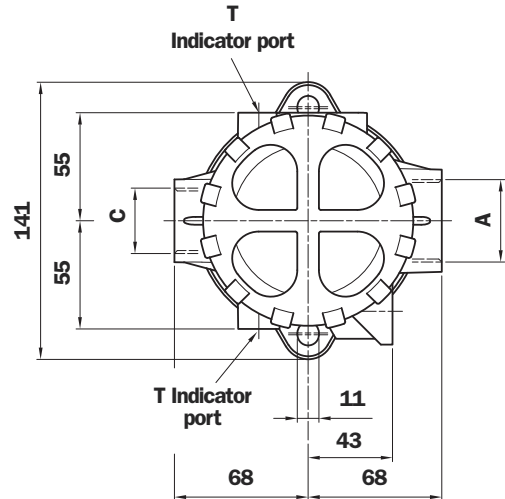
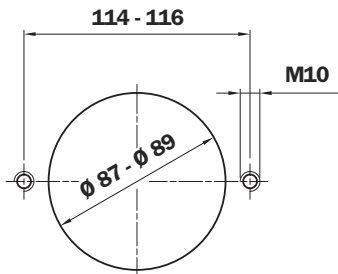
## Thread connections A

Type	A	T
G1	G 3/4"	G 1/8"
G2	G 1"	G 1/8"
G3	G 1 1/4"	G 1/8"
G4	3/4" NPT	1/8" NPT
G5	1" NPT	1/8" NPT
G6	1 1/4" NPT	1/8" NPT
G7	SAE 12 - 1 1/16" - 12 UN	1/8" NPT
G8	SAE 16 - 1 5/16" - 12 UN	1/8" NPT
G9	SAE 20 - 1 5/8" - 12 UN	1/8" NPT

# MPH 120



## Holes on the tank



## Thread connections A and C

Type	A	C	T
G1	G 3/4"	G 3/4"	G 1/8"
G2	G 1"	G 1"	G 1/8"
G3	G 1 1/4"	G 3/4"	G 1/8"
G4	3/4" NPT	3/4" NPT	1/8" NPT
G5	1" NPT	1" NPT	1/8" NPT
G6	1 1/4" NPT	3/4" NPT	1/8" NPT
G7	SAE 12 - 1 1/16" - 12 UN	SAE 12 - 1 1/16" - 12 UN	1/8" NPT
G8	SAE 16 - 1 5/16" - 12 UN	SAE 16 - 1 5/16" - 12 UN	1/8" NPT
G9	SAE 20 - 1 5/8" - 12 UN	SAE 12 - 1 1/16" - 12 UN	1/8" NPT

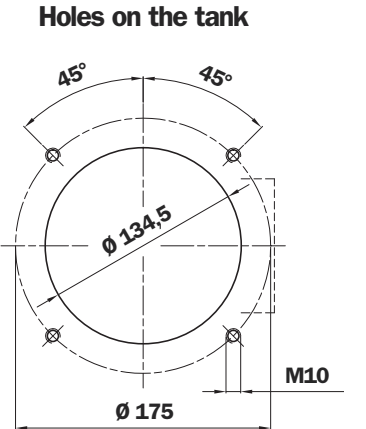
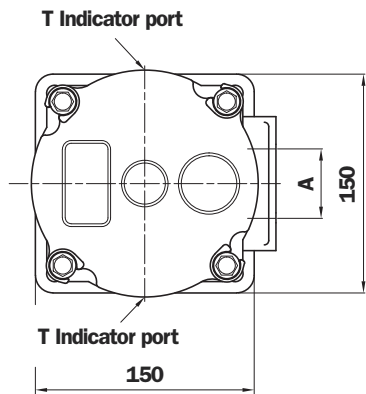
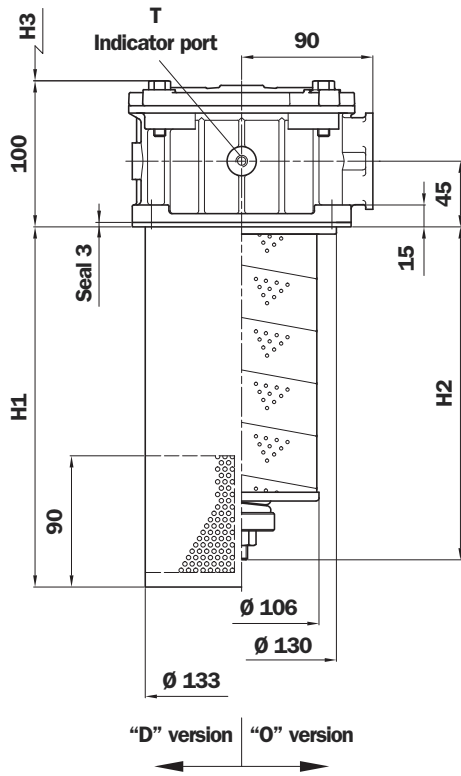
Filter Length	H1 mm	H2 mm	H3 mm
1	188	129	255
2	188	173	255
3	238	223	305
4	338	323	405
5	438	423	505

T indicator port  
G 1/4" - 1/4" NPT  
ON REQUEST

Thread connections A	Thread connections B		
	0	1	2
G1 - G2 - G3	not machined	G 3/8"	G 1/2"
G4 - G5 - G6	not machined	3/8" NPT	1/2" NPT
G7 - G8 - G9	not machined	SAE 6 - 9/16" - 18 UNF	SAE 8 - 3/4" - 16 UNF

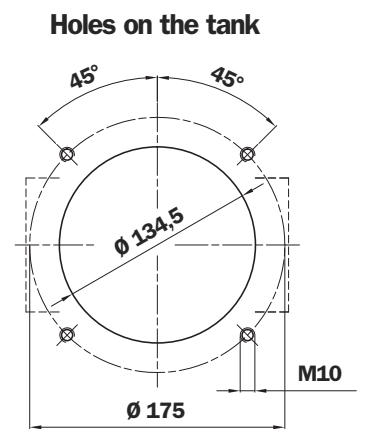
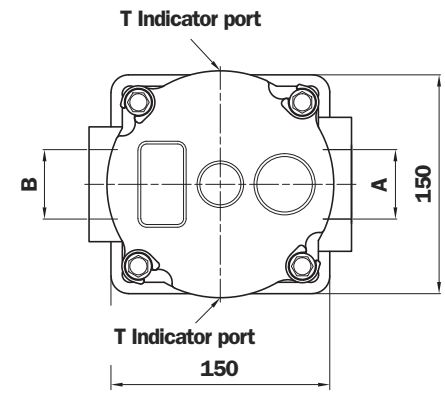
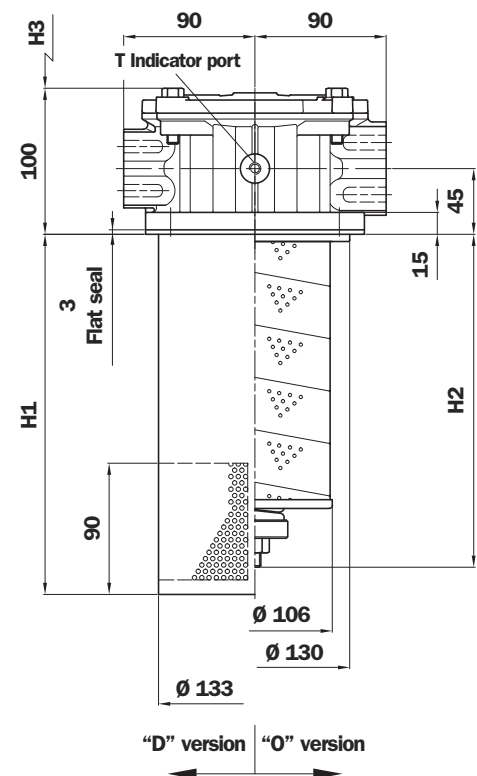
# MPH 250

## 1 connection port



# MPH 250

## 2 connection port



### Thread connections

Type	A	B	T
G1	G 1 1/2"	-	G 1/8"
G2	G 1 1/2"	G 1 1/4"	G 1/8"
G4	1 1/2" NPT	-	1/8" NPT
G5	1 1/2" NPT	1 1/4" NPT	1/8" NPT
G7	SAE 24 - 1 7/8" - 12 UN	-	1/8" NPT
G8	SAE 24 - 1 7/8" - 12 UN	SAE 20 - 1 5/8" - 12 UN	1/8" NPT

Filter Length	H1 mm	H2 mm	H3 mm
1	247	182	255
2	247	231	305
3	317	302	375
4	507	502	580

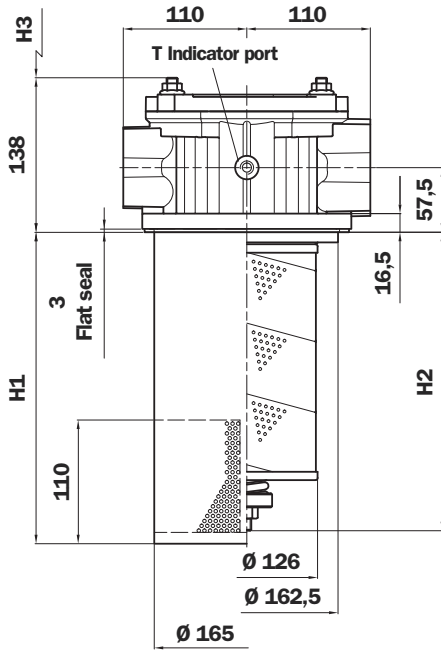
### Flange connections\*

Type	A	B	T
F1	1 1/2" SAE 3000 psi/M	-	G 1/8"
F2	1 1/2" SAE 3000 psi/M	1 1/4" SAE 3000 psi/M	G 1/8"
F3	1 1/2" SAE 3000 psi/UNC	-	1/8" NPT
F4	1 1/2" SAE 3000 psi/UNC	1 1/4" SAE 3000 psi/UNC	1/8" NPT

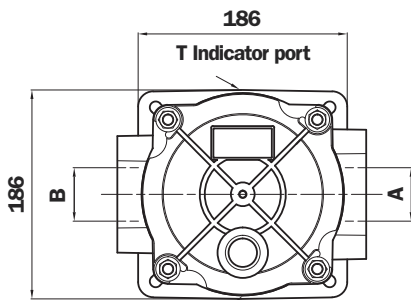
\*Connections table "DN - SAE flange" see page 39



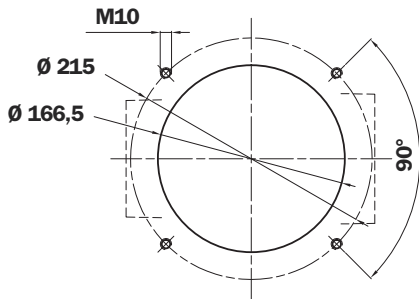
# MPH 630



“D” version “O” version



T Indicator port  
Holes on the tank



## MPH 630

Filter Length	H1 mm	H2 mm	H3 mm
1	278	260	330
2	358	340	410
3	458	440	510
4	548	528	600
5	848	829	900

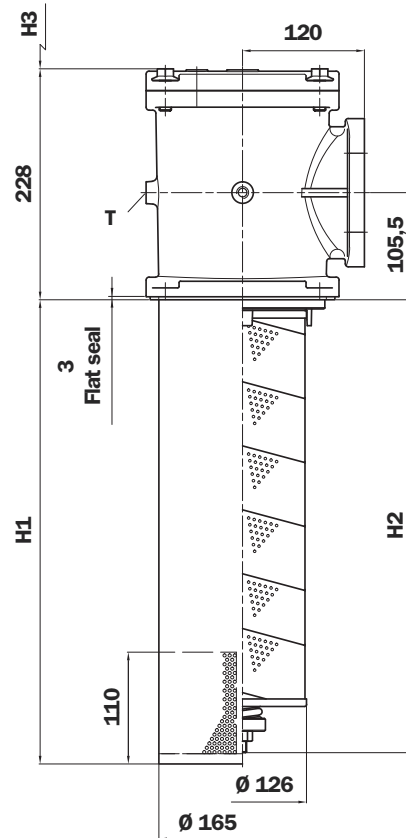
## MPH 630

Flange connections\*

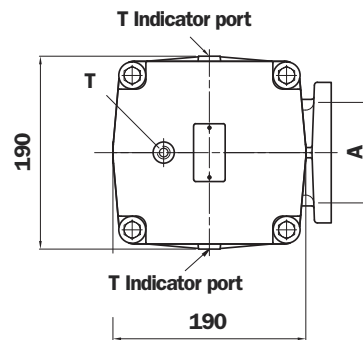
Type	A	B	T
F1	2 1/2" SAE 3000 psi/M	not machined	G 1/8"
F2	2 1/2" SAE 3000 psi/M	2" SAE 3000 psi/M	G 1/8"
F3	2 1/2" SAE 3000 psi/UNC	not machined	1/8" NPT
F4	2 1/2" SAE 3000 psi/UNC	2" SAE 3000 psi/UNC	1/8" NPT

\*Connections table "DN - SAE flange" see page 39

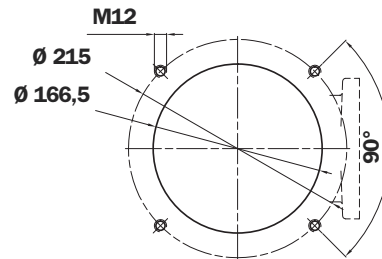
# MPH 660



“D” version “O” version



Holes on the tank



## MPH 660

Filter Length	H1 mm	H2 mm	H3 mm
4	548	538	610
5	848	838	910

## MPH 660

Flange connections\*

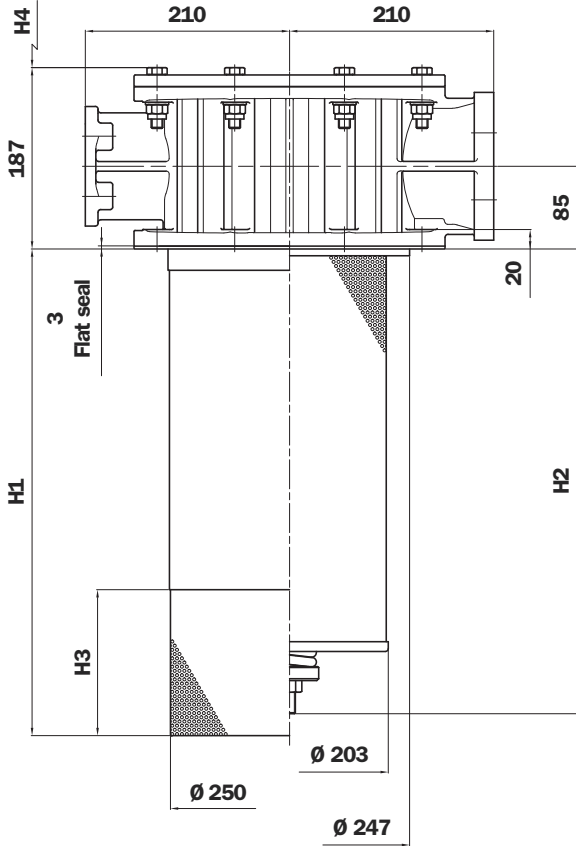
Type	A	T
F1	3" SAE 3000 psi/M	G 1/8"
F2	4" SAE 3000 psi/M	G 1/8"

\*Connections table "DN - SAE flange" see page 39

# MPH 850

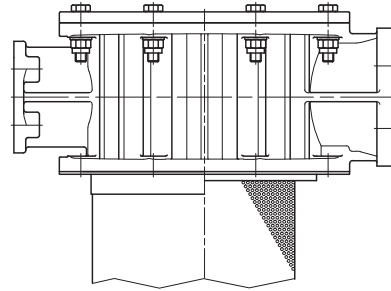
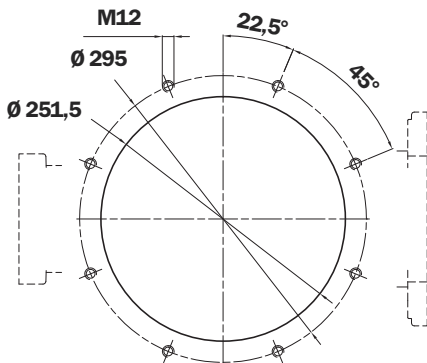
## Connection type F1 - F3 (DN - SAE)

## Connection type F5 - F6 - F7 - F8 (SAE - SAE)



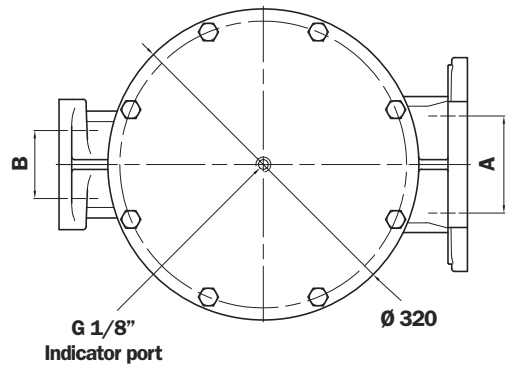
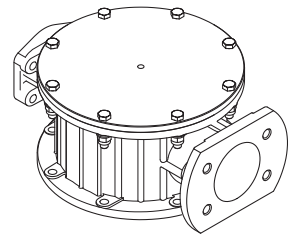
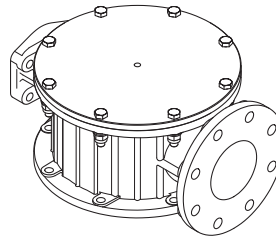
“D” version “O” version

### Holes on the tank



Indicative view for  
connection DN - SAE

Indicative view for  
connection SAE - SAE



### SAE - SAE Flange connections\*

Type	A	B
F5	not machined	3" SAE 3000 psi/M
F6	not machined	3" SAE 3000 psi/UNC
F7	4" SAE 3000 psi/M	3" SAE 3000 psi/M
F8	4" SAE 3000 psi/UNC	3" SAE 3000 psi/UNC

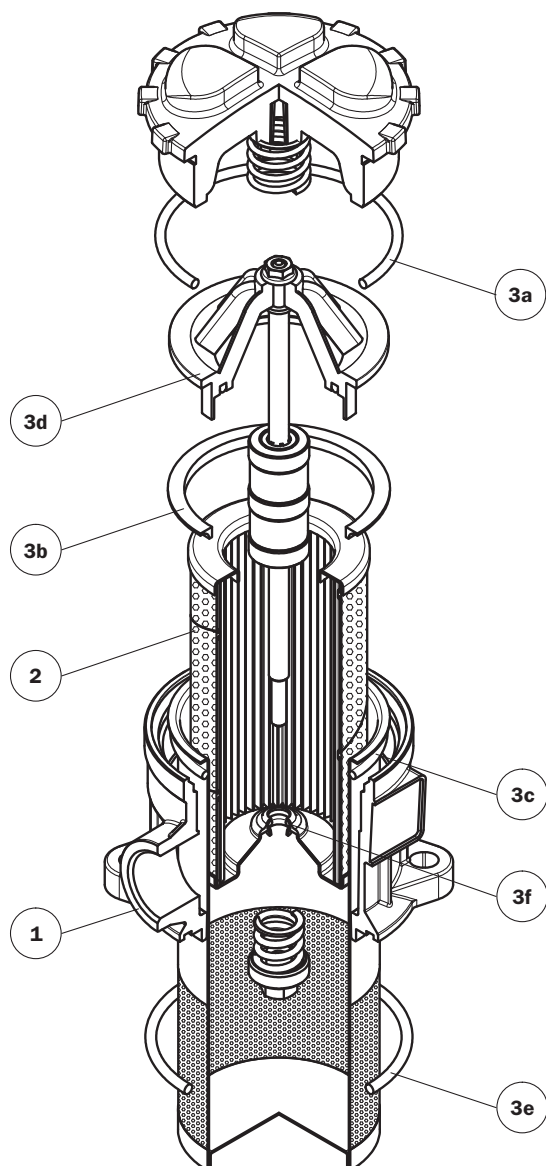
\*Connections table “DN - SAE flange” see page 39

Filter Length	H1 mm	H2 mm	H3 mm	H4 mm
1	419	383	150	515
2	634	598	150	730
3	914	878	250	1010
4	1179	1143	250	1275

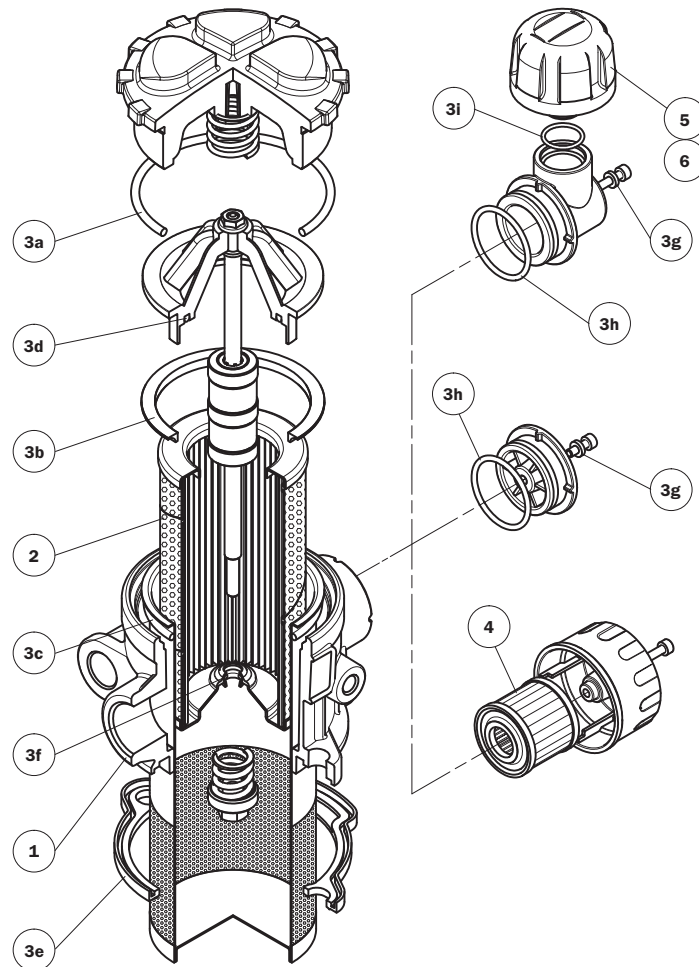
### DN - SAE Flange connections\*

Type	A	B
F1	DN 100 PN 10/16 UNI 2223	3" SAE 3000 psi/M
F3	DN 100 PN 10/16 UNI 2223	3" SAE 3000 psi/UNC

# Spare parts

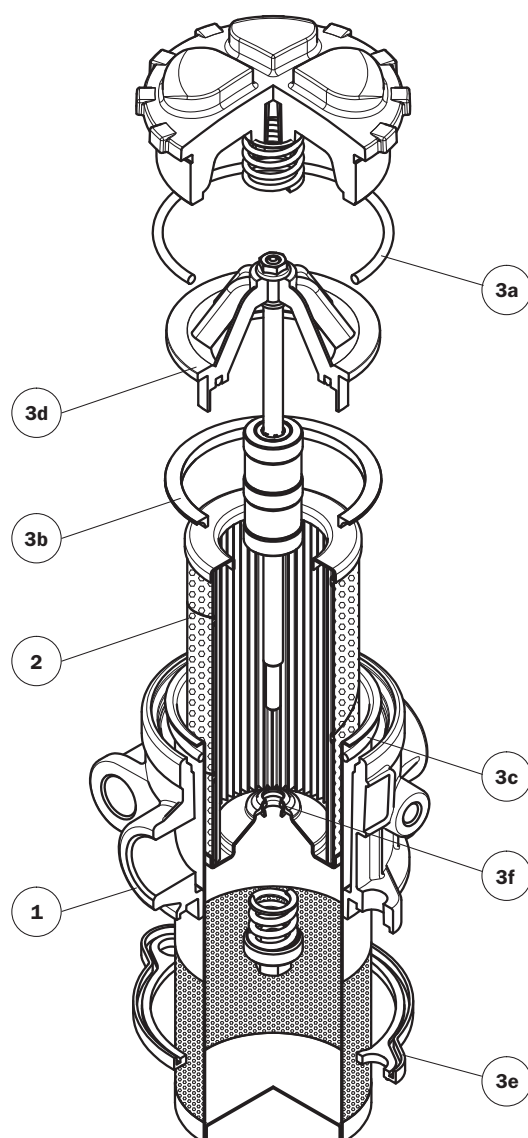


Item	Description	Q.ty	FILTER Series MPH 104	
1	Filter assembly	1	See order table	
2	Filter element	1	See order table	
3	Seal Kit	1	NBR 02050390	FPM 02050409
3a	Cover seal	1	O-R Metric Ø 90 x 4	
3b	External seal for insert assembly with diffuser	1	01026554	01026560
	External seal for insert assembly without diffuser	1	O-R 4275 Ø 69,44 x 3,53	
3c	Diffuser seal	1	O-R 4312 Ø 78,97 x 3,53	
3d	Insert assembly	1	02019052	02019053
3e	Head seal without air breather	1	O-R Metric Ø 90 x 4	
3f	Filter element seal	1	O-R Metric Ø 7,5 x 3	

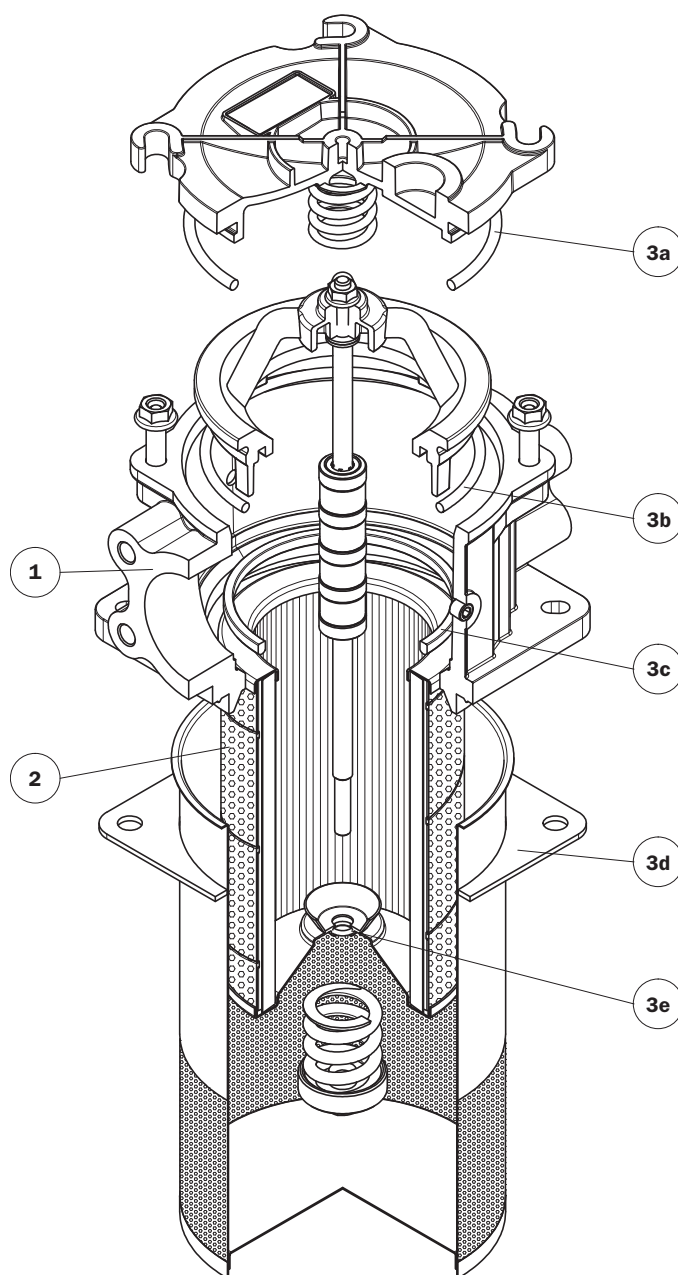


Item	Description	Q.ty	FILTER Series MPH 110		FILTER Series MPH 114	
			NBR 02050565	FPM 02050566	NBR 02050582	FPM 02050583
1	Filter assembly	1	See order table		See order table	
2	Filter element	1	See order table		See order table	
3	Seal Kit	1	NBR 02050565	FPM 02050566	NBR 02050582	FPM 02050583
3a	Cover seal	1	O-R Metric Ø 90 x 4		O-R Metric Ø 90 x 4	
3b	External seal for insert assembly with diffuser	1	01026554	01026560	01026554	01026560
	External seal for insert assembly without diffuser	1	O-R 4275 Ø 69,44 x 3,53		O-R 4275 Ø 69,44 x 3,53	
3c	Diffuser seal	1	O-R 4312 Ø 78,97 x 3,53		O-R 4312 Ø 78,97 x 3,53	
3d	Insert assembly internal seal	1	01026295	01026296	01026295	01026296
3e	Head seal	1	01026351	01026352	01026371	01026372
3f	Filter element seal	1	O-R Metric Ø 7,5 x 3		O-R Metric Ø 7,5 x 3	
3g	Air breather screw seal	1	01026346	01026347	01026346	01026347
3h	Plug - Anti-splash seal	1	O-R 3131 Ø 32,99 x 2,62		O-R 3131 Ø 32,99 x 2,62	
3i	SAP50 seal	1	O-R 2068 Ø 17,17 x 1,78		O-R 2068 Ø 17,17 x 1,78	
4	Air breather filter element "C" version	1	10 µm A5L03		10 µm A5L03	
5	Air breather filter element "D" version	1	10 µm SAP50G3L03A0P01		10 µm SAP50G3L03A0P01	
6	Air breather filter element "P" version	1	10 µm SAP50G3L03A1P01		10 µm SAP50G3L03A1P01	

# Spare parts



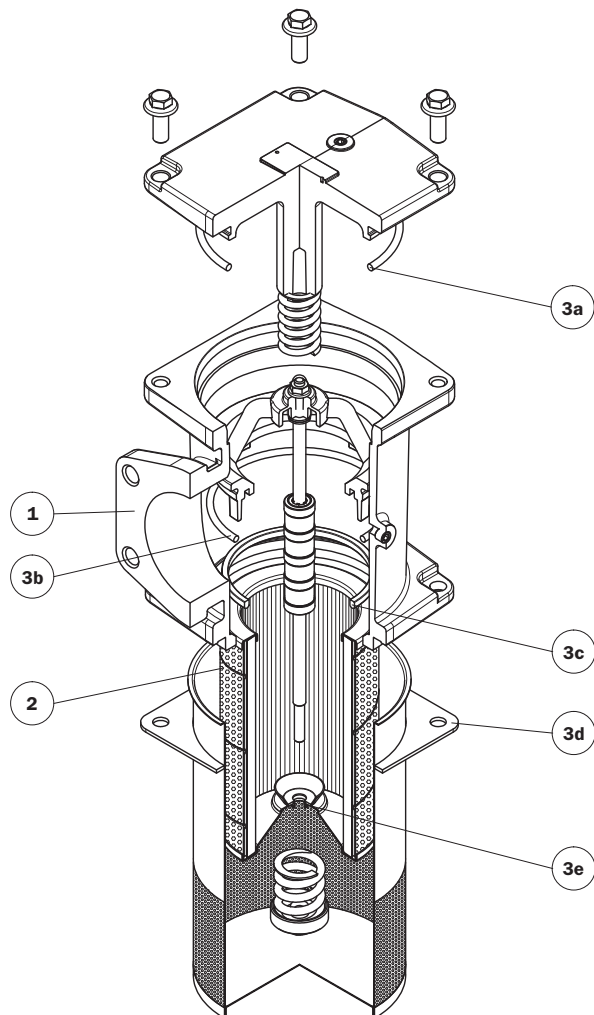
Item	Description	Q.ty	FILTER Series MPH 120	
<b>1</b>	Filter assembly	1	See order table	
<b>2</b>	Filter element	1	See order table	
<b>3</b>	Seal Kit	1	NBR 02050567	FPM 02050568
<b>3a</b>	Cover seal	1	O-R Metric Ø 90 x 4	
<b>3b</b>	External seal for insert assembly with diffuser	1	01026554	01026560
	External seal for insert assembly without diffuser	1	O-R 4275 Ø 69,44 x 3,53	
<b>3c</b>	Diffuser seal	1	O-R 4312 Ø 78,97 x 3,53	
<b>3d</b>	Insert assembly internal seal	1	01026295	01026296
<b>3e</b>	Head seal	1	01026361	01026362
<b>3f</b>	Filter element seal	1	O-R Metric Ø 7,5 x 3	



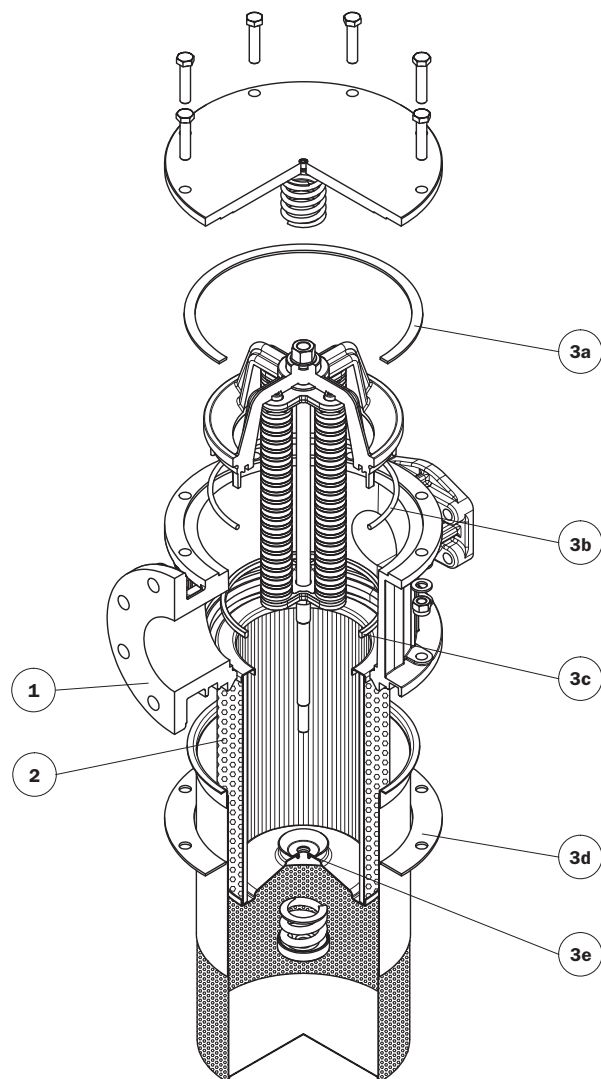
Item	Description	Q.ty	FILTER Series			
			MPH 250		MPH 630	
<b>1</b>	Filter assembly	1	See order table			
<b>2</b>	Filter element	1	See order table			
<b>3</b>	Seal Kit	1	NBR 02050151	FPM 02050152	NBR 02050153	FPM 02050154
<b>3a</b>	Cover seal	1	O-R Metric Ø 119 x 5,7		O-R Metric Ø 149,3 x 5,7	
<b>3b</b>	Insert assembly external seal	1	O-R 4437 Ø 110,70 x 3,53		O-R 210 Ø 133,40 x 5,34	
<b>3c</b>	Insert assembly internal seal	1	01026217	01026220	01026228	01026229
<b>3d</b>	Head seal	1	01026549	01026561	01026545	01026562
<b>3e</b>	Filter element seal	1	O-R 112 Ø 9,92 x 2,62		O-R 112 Ø 9,92 x 2,62	

# Spare parts

**MPH 660**



**MPH 850**



Item	Description	Q.ty	FILTER Series			
			MPH 660		MPH 850	
1	Filter assembly	1	See order table			
2	Filter element	1	See order table			
3	Seal Kit	1	NBR 02050153	FPM 02050154	NBR 02050155	FPM 02050156
3a	Cover seal	1	O-R Metric Ø 149,30 x 5,7		01026185	01026564
3b	Insert assembly external seal	1	O-R 210 Ø 133,40 x 5,34		O-R Metric Ø 209,30 x 5,70	
3c	Insert assembly internal seal	1	01026228	01026229	01026248	01026249
3d	Head seal	1	01026545	01026562	01026325	01026563
3e	Filter element seal	1	O-R 112 Ø 9,92 x 2,62		O-R 117 Ø 13,10 x 2,62	

# Ordering information MPH 104 - 114

## Filter assembly

### MPH

	<b>1</b>	<b>2</b>	<b>3</b>	<b>4</b>	<b>5</b>	<b>6a</b>	<b>7</b>	<b>8</b>	<b>9</b>
	<input type="checkbox"/>	<input type="checkbox"/>	<input type="checkbox"/>	<input type="checkbox"/>	<input type="checkbox"/>	<input type="checkbox"/>	<input type="checkbox"/>	<input type="checkbox"/>	<input type="checkbox"/>
<b>Example 1: MPH</b>	<b>104</b>	<b>1</b>	<b>C</b>	<b>D</b>	<b>S</b>	<b>A</b>	<b>G1</b>	<b>A25</b>	<b>P01</b>
<b>Example 2: MPH</b>	<b>114</b>	<b>3</b>	<b>E</b>	<b>D</b>	<b>C</b>	<b>A</b>	<b>G2</b>	<b>M60</b>	<b>P01</b>

## Filter element

### MR

	<b>1</b>	<b>2</b>	<b>8</b>	<b>6b</b>	<b>9</b>
	<input type="checkbox"/>	<input type="checkbox"/>	<input type="checkbox"/>	<input type="checkbox"/>	<input type="checkbox"/>
<b>Example 1: MR</b>	<b>100</b>	<b>1</b>	<b>A25</b>	<b>A</b>	<b>P01</b>
<b>Example 2: MR</b>	<b>100</b>	<b>3</b>	<b>M60</b>	<b>A</b>	<b>P01</b>

### 1 - Style

#### Filter

- 104**
- 114**

#### Filter element

- 100**
- 100**

### 2 - Filter length

- 104**
- 114**

- |                                   |                                   |                                   |                                   |                                   |
|-----------------------------------|-----------------------------------|-----------------------------------|-----------------------------------|-----------------------------------|
| <input type="checkbox"/> <b>1</b> | <input type="checkbox"/> <b>2</b> | <input type="checkbox"/> <b>3</b> | <input type="checkbox"/> <b>4</b> | <input type="checkbox"/> <b>5</b> |
| <input type="checkbox"/> <b>1</b> | <input type="checkbox"/> <b>2</b> | <input type="checkbox"/> <b>3</b> | <input type="checkbox"/> <b>4</b> | <input type="checkbox"/> <b>5</b> |

### 3 - By-pass valve

- S** Without bypass
- C** 1,75 bar
- E** 2,5 bar

### 4 - Execution

- O** Without diffuser and with magnetic column
- \*  **D** With diffuser and with magnetic column
- E** Without diffuser and without magnetic column
- \*  **F** With diffuser and without magnetic column

### 5 - Air breather

- S** Without air breather
- C** <sup>(1)</sup> With air breather 10 µm
- D** <sup>(1)</sup> Anti-splash and SAP50 10 µm air breather
- P** <sup>(1)</sup> Anti-splash, SAP50 10 µm air breather and pressurization 0,5 bar

### <sup>(1)</sup> Excluded MPH 104

### 6 - Filter seals & Treatment

#### 6a - Filter assembly

- A** NBR
- V** FPM
- W** NBR, Head anodized - filter element compatible with fluid HFA, HFB, HFC (only for filter element type Axx and Mxx)
- Z** FPM, Head anodized - filter element compatible with fluid HFA, HFB, HFC (only for filter element type Axx and Mxx)

#### 6b - Filter element

- A** NBR
- V** FPM

### 7 - Connections

#### MPH 104 - 114

Type	A
<b>G1</b>	G 3/4"
<b>G2</b>	G 1"
<b>G3</b>	G 1 1/4"
<b>G4</b>	3/4" NPT
<b>G5</b>	1" NPT
<b>G6</b>	1 1/4" NPT
<b>G7</b>	SAE 12 - 1 1/6" - 12 UN
<b>G8</b>	SAE 16 - 1 5/16" - 12 UN
<b>G9</b>	SAE 20 - 1 5/8" - 12 UN

### 5 - Filter element

<input type="checkbox"/> <b>A03</b>	Inorganic microfibre 3 µm	} Absolute filtration Inorganic Microfibre  βx (c) ≥ 1000
<input type="checkbox"/> <b>A06</b>	Inorganic microfibre 6 µm	
<input type="checkbox"/> <b>A10</b>	Inorganic microfibre 10 µm	
<input type="checkbox"/> <b>A16</b>	Inorganic microfibre 16 µm	
<input type="checkbox"/> <b>A25</b>	Inorganic microfibre 25 µm	
<input type="checkbox"/> <b>M25</b>	Wire mesh 25 µm	} Nominal Filtration
<input type="checkbox"/> <b>M60</b>	Wire mesh 60 µm	
<input type="checkbox"/> <b>M90</b>	Wire mesh 90 µm	
<input type="checkbox"/> <b>P10</b>	Resin - Impregnated paper	} Nominal Filtration
<input type="checkbox"/> <b>P25</b>	Resin - Impregnated paper	

### 9 - Option

- P01** MP Filtri standard

\* Use of diffuser recommended

**For Clogging Indicator:**  
See page 324

**MP Filtri** - The filter functions as described in this bulletin are valid exclusively for original MP Filtri filter elements and replacement parts. All rights reserved.

The data in this publication are purely guideline. MP Filtri reserves the right to make changes to the models described herein at any time it deems fit in relation to technical or commercial requirements. The colours of the products shown on the cover are purely guideline. Copyright. All rights reserved.



# Ordering information MPH 110 - 120

## Filter assembly

### MPH

	<b>1</b>	<b>2</b>	<b>3</b>	<b>4</b>	<b>5</b>	<b>6a</b>	<b>7</b>	<b>8</b>	<b>9</b>	<b>10</b>
<b>Example 1: MPH</b>	<b>110</b>	<b>2</b>	<b>E</b>	<b>D</b>	<b>C</b>	<b>A</b>	<b>G2</b>	<b>1</b>	<b>A10</b>	<b>P01</b>
<b>Example 2: MPH</b>	<b>120</b>	<b>5</b>	<b>C</b>	<b>O</b>		<b>A</b>	<b>G3</b>	<b>2</b>	<b>A25</b>	<b>P01</b>

## Filter element

### MR

	<b>1</b>	<b>2</b>	<b>9</b>	<b>6b</b>	<b>10</b>
<b>Example 1: MR</b>	<b>100</b>	<b>2</b>	<b>A10</b>	<b>A</b>	<b>P01</b>
<b>Example 2: MR</b>	<b>100</b>	<b>5</b>	<b>A25</b>	<b>A</b>	<b>P01</b>

### 1 - Style

Filter	Filter element
<b>110</b>	<b>100</b>
<b>120</b>	<b>100</b>

### 2 - Filter length

<b>110</b>	<b>1</b>	<b>2</b>	<b>3</b>	<b>4</b>	<b>5</b>
<b>120</b>	<b>1</b>	<b>2</b>	<b>3</b>	<b>4</b>	<b>5</b>

### 3 - By-pass valve

<b>S</b>	Without bypass
<b>C</b>	1,75 bar
<b>E</b>	2,5 bar

### 4 - Execution

<b>O</b>	Without diffuser and with magnetic column
<b>D</b>	With diffuser and with magnetic column
* <b>E</b>	Without diffuser and without magnetic column
* <b>F</b>	With diffuser and without magnetic column

### 5 - Air breather (omit for MPH 120)

<b>S</b>	Without air breather
<b>C</b>	With air breather 10 µm
<b>D</b>	Anti-splash and SAP50 10 µm air breather
<b>P</b>	Anti-splash and SAP50 10 µm air breather pressurization 0,5 bar

### 6 - Filter seals & Treatment

#### 6a - Filter assembly

<b>A</b>	NBR
<b>V</b>	FPM
<b>W</b>	NBR, Head anodized - filter element compatible with fluid HFA, HFB, HFC (only for filter element type Axx and Mxx)
<b>Z</b>	FPM, Head anodized - filter element compatible with fluid HFA, HFB, HFC (only for filter element type Axx and Mxx)

#### 6b - Filter element

<b>A</b>	NBR
<b>V</b>	FPM

### 7 - Connections A - C

#### MPH 110 Connections A MPH 120 Connections A and C

Type	A	C
<b>G1</b>	G 3/4"	G 3/4"
<b>G2</b>	G 1"	G 1"
<b>G3</b>	G 1 1/4"	G 3/4"
<b>G4</b>	3/4" NPT	3/4" NPT
<b>G5</b>	1" NPT	1" NPT
<b>G6</b>	1 1/4" NPT	3/4" NPT
<b>G7</b>	SAE 12 - 1 1/16" - 12 UN	SAE 12 - 1 1/16" - 12 UN
<b>G8</b>	SAE 16 - 1 5/16" - 12 UN	SAE 16 - 1 5/16" - 12 UN
<b>G9</b>	SAE 20 - 1 5/8" - 12 UN	SAE 12 - 1 1/16" - 12 UN

### 8 - Connections B

Type	Connections A		
	G1 - G2 - G3	G4 - G5 - G6	G7 - G8 - G9
<b>0</b>	not machined	not machined	not machined
<b>1</b>	G 3/8"	3/8" NPT	SAE 6 - 9/16" - 18 UNF
<b>2</b>	G 1/2"	1/2" NPT	SAE 8 - 3/4" - 16 UNF

### 9 - Filter element

<b>A03</b>	Inorganic microfibre 3 µm	Absolute filtration Inorganic Microfibre βx (c) ≥ 1000
<b>A06</b>	Inorganic microfibre 6 µm	
<b>A10</b>	Inorganic microfibre 10 µm	
<b>A16</b>	Inorganic microfibre 16 µm	
<b>A25</b>	Inorganic microfibre 25 µm	
<b>M25</b>	Wire mesh 25 µm	Nominal Filtration
<b>M60</b>	Wire mesh 60 µm	
<b>M90</b>	Wire mesh 90 µm	
<b>P10</b>	Resin - Impregnated paper	Nominal Filtration
<b>P25</b>	Resin - Impregnated paper	

### 10 - Option

<b>P01</b>	MP Filtri standard
------------	--------------------

\* Use of diffuser recommended

**For Clogging Indicator:**  
See page 324

**MP Filtri** - The filter functions as described in this bulletin are valid exclusively for original MP Filtri filter elements and replacement parts. All rights reserved.

The data in this publication are purely guideline. MP Filtri reserves the right to make changes to the models described herein at any time it deems fit in relation to technical or commercial requirements. The colours of the products shown on the cover are purely guideline. Copyright. All rights reserved.

# Ordering information MPH 250-630-660-850

## Filter assembly MPH

	<b>1</b>	<b>2</b>	<b>3</b>	<b>4</b>	<b>5</b>	<b>6a</b>	<b>7</b>	<b>8</b>	<b>9</b>
Example: MPH	<b>250</b>	<b>1</b>	<b>C</b>	<b>D</b>	<b>S</b>	<b>A</b>	<b>G1</b>	<b>A25</b>	<b>P01</b>

## Filter element MR

	<b>1</b>	<b>2</b>	<b>8</b>	<b>6b</b>	<b>9</b>
Example: MR	<b>250</b>	<b>1</b>	<b>A10</b>	<b>A</b>	<b>P01</b>

### 1 - Style

Filter	Filter element
<b>250</b>	<b>250</b>
<b>630</b>	<b>630</b>
<b>660</b>	<b>630</b>
<b>850</b>	<b>850</b>

### 2 - Filter length

<b>250</b>	<b>1</b>	<b>2</b>	<b>3</b>	<b>4</b>	
<b>630</b>	<b>1</b>	<b>2</b>	<b>3</b>	<b>4</b>	<b>5</b>
<b>660</b>				<b>4</b>	<b>5</b>
<b>850</b>	<b>1</b>	<b>2</b>	<b>3</b>	<b>4</b>	

### 3 - By-pass valve

<b>S</b>	Without bypass
<b>C</b>	1,75 bar
<b>E</b>	2,5 bar (not available for MPH 850)

### 4 - Execution

<b>O</b>	Without diffuser and with magnetic column
* <b>D</b>	With diffuser and with magnetic column
<b>E</b>	Without diffuser and without magnetic column
* <b>F</b>	With diffuser and without magnetic column

### 5 - Air breather

<b>S</b>	Without air breather
----------	----------------------

### 6 - Filter seals & Treatment

#### 6a - Filter assembly

<b>A</b>	NBR
<b>V</b>	FPM
<b>W</b>	NBR, Head anodized - filter element compatible with fluid HFA, HFB, HFC (only for filter element type Axx and Mxx)
<b>Z</b>	FPM, Head anodized - filter element compatible with fluid HFA, HFB, HFC (only for filter element type Axx and Mxx)

#### 6b - Filter element

<b>A</b>	NBR
<b>V</b>	FPM

### 7 - Connections

#### MPH 250

Type	A	B
<b>G1</b>	G 1 1/2"	-
<b>G2</b>	G 1 1/2"	G 1 1/4"
<b>G4</b>	1 1/2" NPT	-
<b>G5</b>	1 1/2" NPT	1 1/4" NPT
<b>G7</b>	SAE 24 - 1 7/8" 12 UN	-
<b>G8</b>	SAE 24 - 1 7/8" 12 UN	SAE 20 - 1 5/8" - 12 UN
<b>F1</b>	1 1/2" SAE 3000 psi/M	-
<b>F2</b>	1 1/2" SAE 3000 psi/M	1 1/4" SAE 3000 psi/M
<b>F3</b>	1 1/2" SAE 3000 psi/UNC	-
<b>F4</b>	1 1/2" SAE 3000 psi/UNC	1 1/4" SAE 3000 psi/UNC

#### MPH 630

Type	A	B
<b>F1</b>	2 1/2" SAE 3000 psi/M	not machined
<b>F2</b>	2 1/2" SAE 3000 psi/M	2" SAE 3000 psi/M
<b>F3</b>	2 1/2" SAE 3000 psi/UNC	not machined
<b>F4</b>	2 1/2" SAE 3000 psi/UNC	2" SAE 3000 psi/UNC

#### MPH 660

Type	A
<b>F1</b>	3" SAE 3000 psi/M
<b>F2</b>	4" SAE 3000 psi/M

#### MPH 850 DN-SAE

Type	A	B
<b>F1</b>	DN 100 PN 10/16 UNI 2223	3" SAE 3000 psi/M
<b>F3</b>	DN 100 PN 10/16 UNI 2223	3" SAE 3000 psi/UNC

#### MPH 850 SAE-SAE

Type	A	B
<b>F5</b>	not machined	3" SAE 3000 psi/M
<b>F6</b>	not machined	3" SAE 3000 psi/UNC
<b>F7</b>	4" SAE 3000 psi/M	3" SAE 3000 psi/M
<b>F8</b>	4" SAE 3000 psi/UNC	3" SAE 3000 psi/UNC

### 8 - Filter element

<b>A03</b>	Inorganic microfibre	3 µm	Absolute filtration Inorganic Microfibre  βx (c) ≥ 1000
<b>A06</b>	Inorganic microfibre	6 µm	
<b>A10</b>	Inorganic microfibre	10 µm	
<b>A16</b>	Inorganic microfibre	16 µm	
<b>A25</b>	Inorganic microfibre	25 µm	
<b>M25</b>	Wire mesh	25 µm	Nominal Filtration
<b>M60</b>	Wire mesh	60 µm	
<b>M90</b>	Wire mesh	90 µm	
<b>P10</b>	Resin - Impregnated paper		Nominal Filtration
<b>P25</b>	Resin - Impregnated paper		

### 9 - Option

<b>P01</b>	MP Filtri standard
------------	--------------------

\* Use of diffuser recommended

**For Clogging Indicator:**  
See page 324

**MP Filtri** - The filter functions as described in this bulletin are valid exclusively for original MP Filtri filter elements and replacement parts. All rights reserved.

The data in this publication are purely guideline. MP Filtri reserves the right to make changes to the models described herein at any time it deems fit in relation to technical or commercial requirements. The colours of the products shown on the cover are purely guideline. Copyright. All rights reserved.