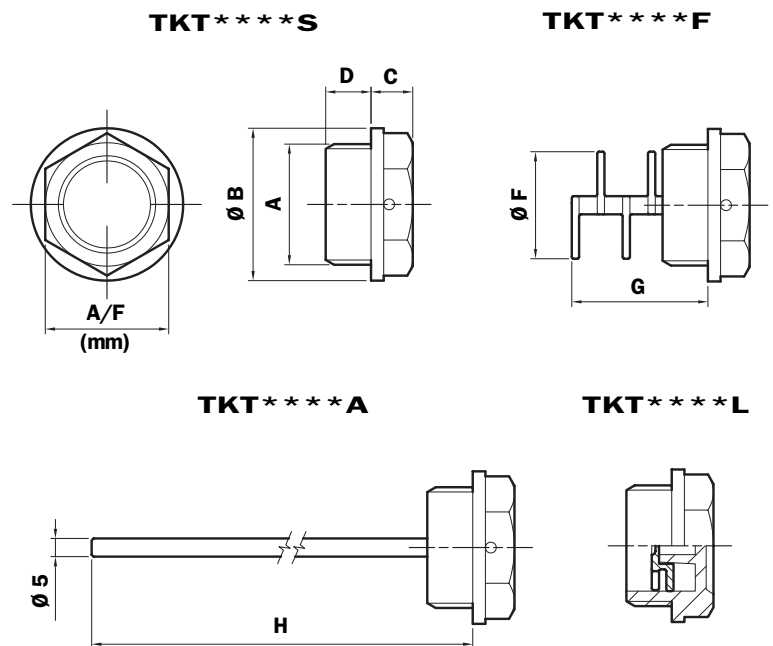




Dimensions



TKT (Materials)

- 1** - Body: Nylon
- 2** - Seals: NBR
Inorganic fibre
- 3** - Labyrinth: Nylon
- 4** - Anti-splash feature: Nylon
- 5** - Dipstick: Phosphated Steel

Quantity per pack Number of Parts

TKT 25

Size	A	Ø B	C	A/F (mm)	D	Ø F	G	H
G13	G 1/4"	20	7	17	9	-	-	206
G16	G 3/8"	22	8	18	10	13,5	33	207
G20	G 1/2"	28	8	22	11	17,5	34	208
G26	G 3/4"	35	9	27	12	23,5	35	209
G33	G 1"	42	11,5	34	12,5	29,5	37,5	202,5
G42	G 1 1/4"	52	12	42	13	38	40	203
G48	G 1 1/2"	58	14	47	13	38	38	203
G60	G 2"	74	14	64	20	-	-	200

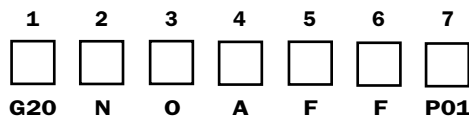
N.B. Seals thickness 2 mm.
Recommended tightening torque 10 ÷ 15 Nm.

Ordering information

Filler cap

TKT

Example: TKT



1 - Size

G13	G 1/4"
G16	G 3/8"
G20	G 1/2"
G26	G 3/4"
G33	G 1"
G42	G 1 1/4"
G48	G 1 1/2"
G60	G 2"

2 - Colour

N	Black nylon
----------	-------------

48

3 - Cover wording

N	Neutral
O	Oil

4 - Seal

A	NBR x TKT****F and TKT****A
B	Fibre inorganique x TKT****S and TKT****L

5 - Style

S	Without breather
F	Breather hole

6 - Accessories

S	Without
A	Standard dipstick
F	Anti-splash feature (except G13-G60)
L	Labyrinth filter (except G33-G42-G48-G60)

7 - Options

P01	MP Filtri standard
------------	--------------------