

9.2.1 TECHNICAL DATA

MAX OPERATING PRESSURE: 400 BAR

PRESSURE TEST: 1.43 X PS

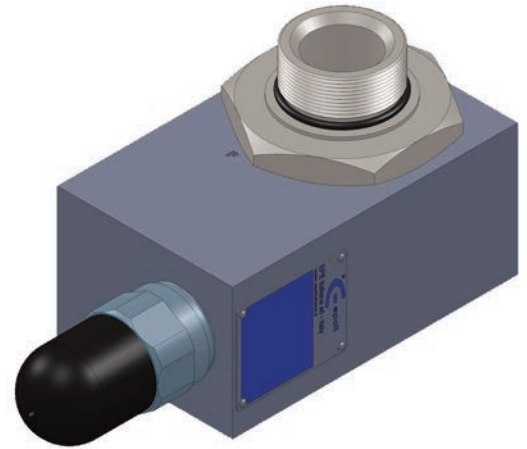
NOMINAL SIZE: 6, 10, 20

BODY MATERIAL: galvanized carbon steel

SEALS MATERIAL: Nitrile (NBR)
Viton (FKM)

See Table 9.2c and or Section 1.8

WEIGHT: see Table 9.2

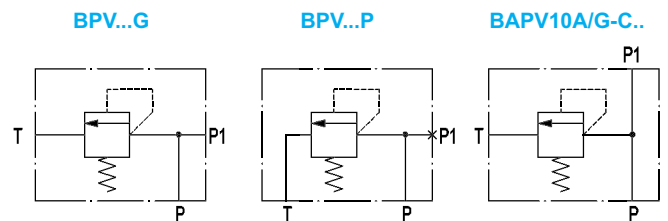


9.2a

9.2.2 DESCRIPTION

These blocks are used for installation of safety valves type DBDS (see Section 9.1) which must be ordered separately. The BPV type is built in sizes 6, 10, 20 and in the "G" versions with the threaded connections BSP ISO 228 or in the "P" version for mounting on plate. BAPV type instead can be mounted through a double thread nipple directly on the fluid valve of the bladder accumulators with a connection of 1"1/4 (type AS5 and ASA1) or 2" BSP (type AS10÷55, ASA2.5÷15) or with appropriate adaptors (see Section 9.4) directly on the back side of a fluid piston accumulator. This version is built only to accommodate the safety valves DBDS10.

9.2.2 HYDRAULIC SYMBOL



9.2b

9.2.3 ORDER CODE



1	Series
Valve-holder block	= BPV

2	Nominal sizes
Size 6 = 6	
Size 10 = 10	
Size 20 = 20	

3	Connections P and P1
Thread BSP ISO 228	= G
Plate mounting	= P

5	Seals material only for type P
Nitrile NBR	= P
Viton (FKM)	= V

4	Body Material
Carbon steel	= C



1	Series
Valve-holder block for accumulator	= BAPV

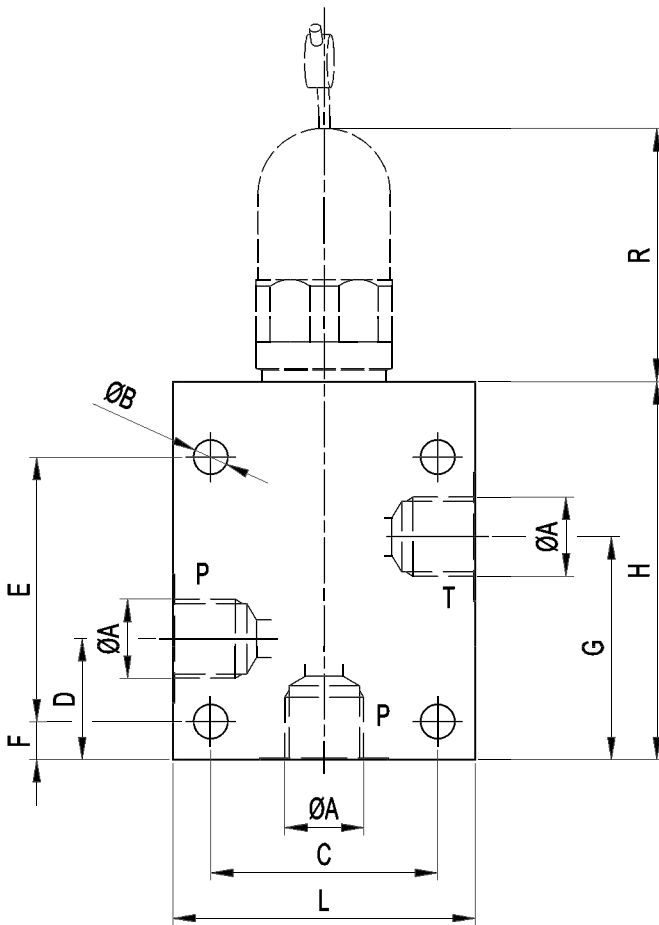
2	Nominal sizes
Size 10 = 10	

3	Connections P and T
Accumulator connection 1" 1/4-2"	= A/G
fluid port connection 1" 1/4-2" BSP	

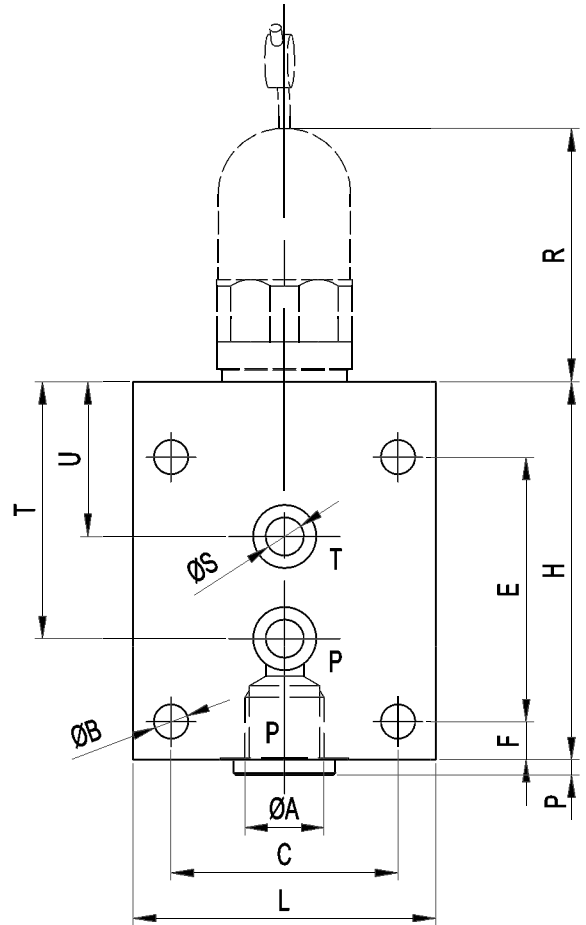
5	Seals material
Nitrile NBR	= P
Viton (FKM)	= V

4	Body Material
Carbon steel	= C

9.2.4.1 DIMENSIONS
BPV "G" & "P" TYPE



BLOCK "G" TYPE



BLOCK "P" TYPE

9.2c

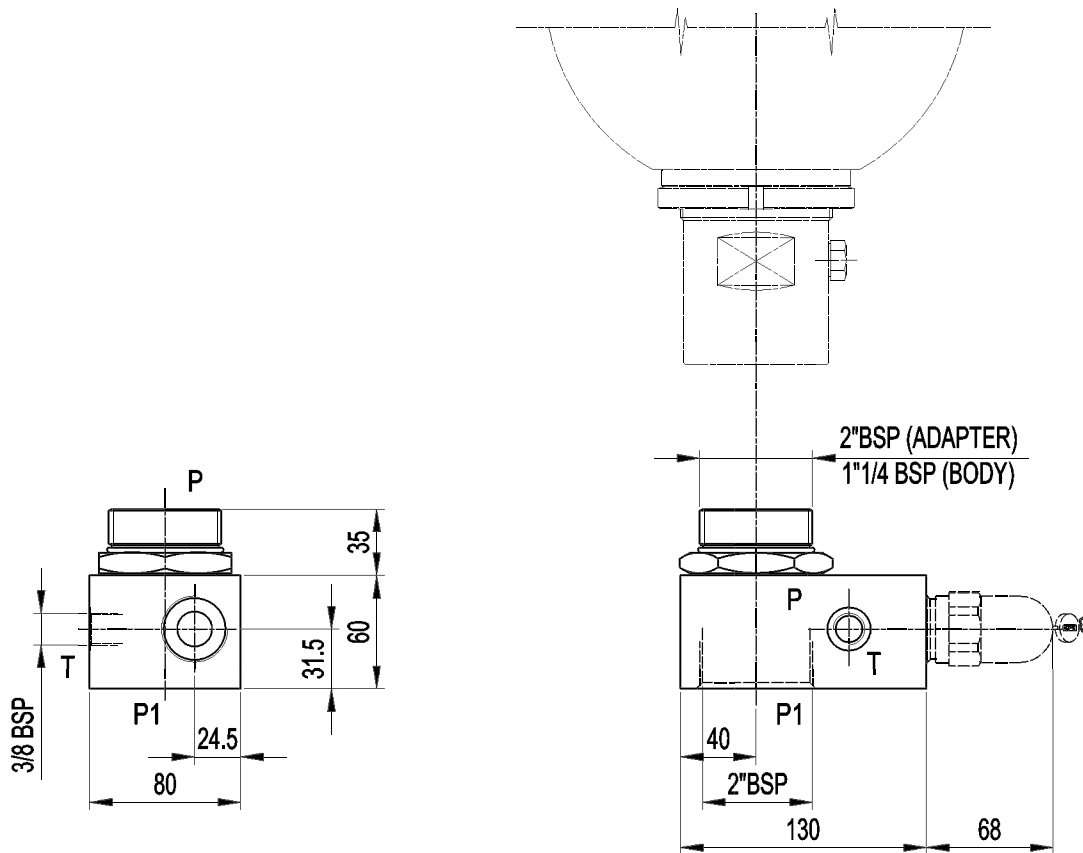
Block order code	Valve order code	Ø A BSP	Ø B mm	C mm	D mm	E mm	F mm	G mm	H mm	I mm	L mm	M mm	P mm	Ø Q mm	R mm	S mm	T mm	U mm	OR metric	Weight Kg
BPV 6.. - C*	DBD... 6 K 1....	1/4"	6.6	45	25	55	10	45	80	40	60	25	4	M6	72	6	55	35	0010M7x1.5*	1.5
BPV 10.. - C*	DBD... 10 K 1....	1/2"	9	60	32	70	10	59	100	60	80	40	4	M8	68	10	68	41	0010M12.3x2.4*	3.7
BPV 20.. - C*	DBD... 20 K 1....	1"	9	70	50	100	15	81	135	70	100	50	5.5	M8	65	20	85	54	0010M22x3*	6.4

For "DBDS K" valve seat see chapter 9.1.7.1 table 9.1e

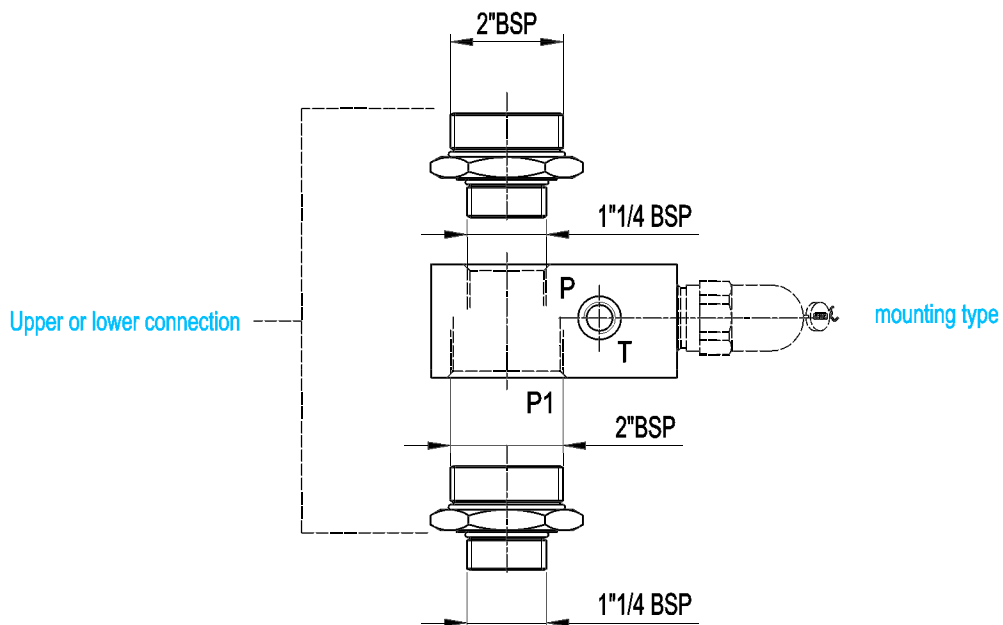
9.2d

9.2d

BAPV10 TYPE



9.2e



9.2f

Block order code BAPV 10 A/G - C *

* gasket material

Reproduction is forbidden.

In the spirit of continuous improvement, our products may be changed.