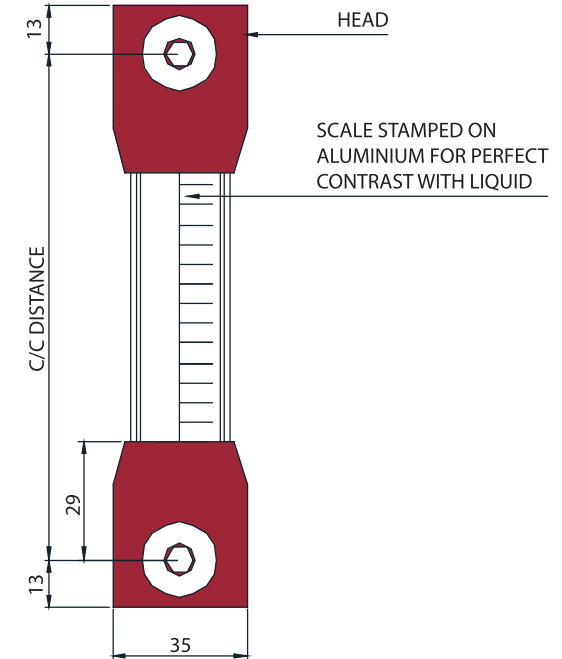
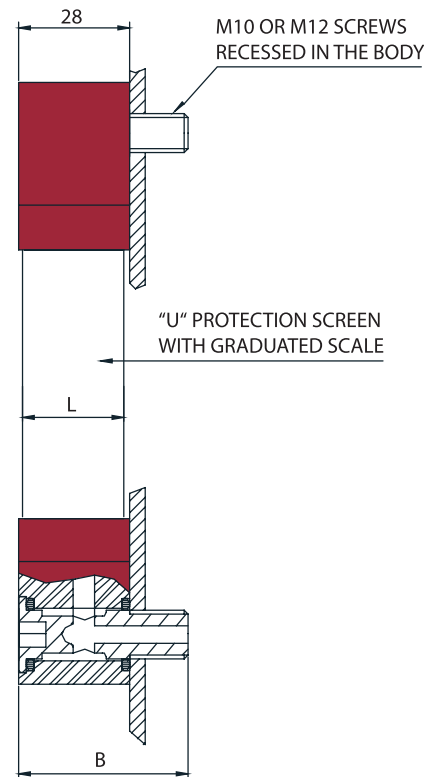


LV**MULTICONTROL RANGE VISUAL LEVEL GAUGES**

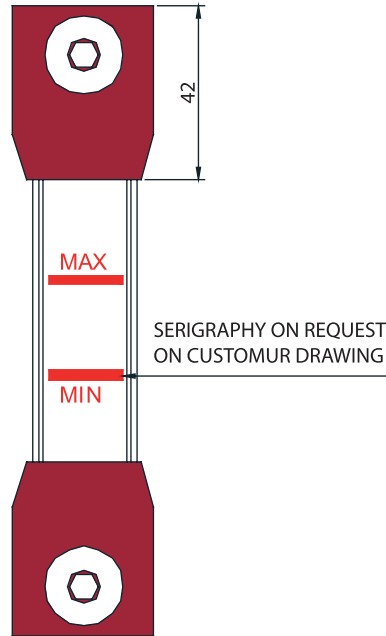
The visual level gauges allow the liquid level to be checked in a clear and precise way at any time.

The principle used is that of communicating vessels: the liquid goes through the level gauge by means of hollow screws, showing the user the exact point inside the tank.

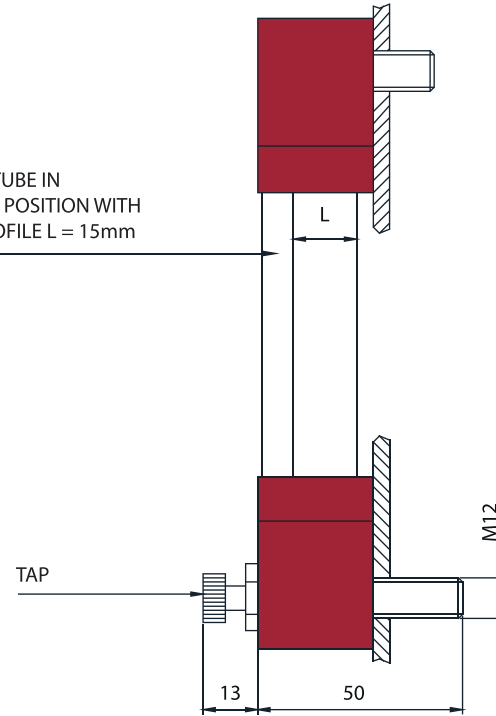
Through a full range of components our level gauges can meet the most particular needs, at a limited cost.

The level gauges can be equipped with taps that stop the flow of liquid from the tank to the gauge and with PT100 for continuous monitoring of temperature through PLC.

The C/C distances of 127 ÷ 4000 mm supplied meet the needs of all customers. In this way they can be interchangeable with the level gauges available on the market and, above all, "custom made" according to needs. The "U" protection screen is normally fitted in order to obtain visibility on the front part of the level gauge, but if necessary it can be turned 90° to obtain visibility on the right or left.



VISIBLE TUBE IN LATERAL POSITION WITH LOW PROFILE L = 15mm



Maximum pressure: see page 33
Maximum tightening torque: 10 Nm

MOD.	C/C DISTANCE	SCREWS	SCREWS MATERIAL		B (mm)	ALUMINIUM PROFILE "L" (mm)	VISUAL	TUBE MATERIAL		TEMP. (°C)	FLOAT	HEAD MATERIAL		TEMP. (°C)	OR MATERIAL		TEMP. (°C)	DEVICES		SERIGRAPHY	TEMPERATURE SENSOR		NUT			
			A	B				A	B			A	B		A	B		0	R1		R2	R3	R4	0	1	0
LV	FROM 127 TO 4000	M12	A	GALVANISED STEEL	42	25	F	FRONT	A	METHACRYLATE	-70...+80	0	WITHOUT	A	-30...+130	1	NBR	-30...+100	0	WITHOUT	A	WITHOUT	0	WITHOUT	0	WITHOUT
			B	NICKEL PLATED BRASS	42				B	POLYCARBONATE	-150...+130	1	NYLON-GLASS (RED)			2	FKM (VITON)	-25...+200	R1	WITH LOWER TAP NICKEL PLATED BRASS L= 50 mm			1	PT 100	1	WITH 2 NUTS GALVANISED STEEL
			C	NICKEL PLATED BRASS	50		D	RIGHT	C	PYREX	-70...+250	2	POLYPROPYLENE-GLASS (YELLOW)		0...+100	3	SI (SILICONE)	-60...+200	R2	WITH TWO TAPS NICKEL PLATED BRASS L= 50 mm			2	PT 1000	2	WITHOUT
			D	S/STEEL	42		S	LEFT			3	NBR WITH STAINLESS STEEL SPIRAL (BLACK)	4		HNBR	-40...+130	R3	WITH M12 S/STEEL LOWER L= 50 mm	1	PT 100			1	WITHOUT		
		M10	E	GALVANISED STEEL	42	15	SIDE VIEW	C	PYREX	-70...+250	3	POLYPROPYLENE-GLASS (YELLOW)	0...+100	5	EPDM	-45...+155	R4	WITH 2 M12 S/STEEL TAP L= 50 mm	2	PT 1000	2	WITHOUT				
			F	NICKEL PLATED BRASS	50					4	POLYPROPYLENE SPHERE (RED)	-20...+120	6	FEP (FKM-SILICONE)	-60...+205	7	MFQ (FLUOROSILICONE)	-65...+175	1	PT 100	1	WITHOUT				
		1/2" GAS	G	S/STEEL																						
LV	800	M12	A		42	25	F	C			0		A			A			A		0		0			