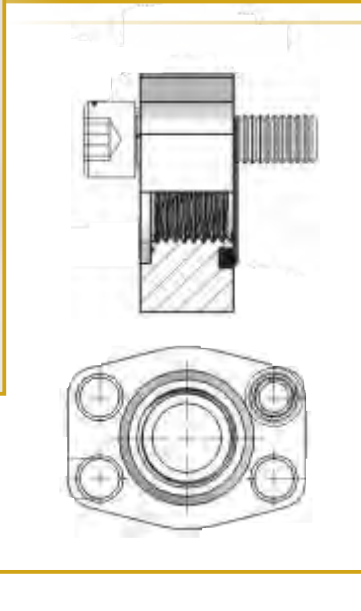
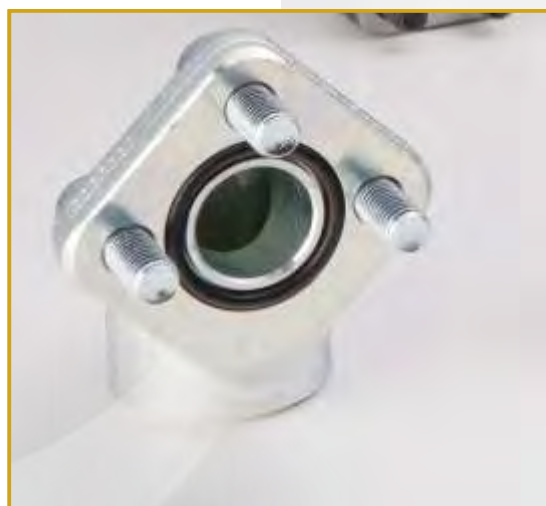


## Flansze SAE SAE Flanges



121  
strona / page

**FG03-XX 3000 PSI**



122  
strona / page

**FG06-XX 6000 PSI**



123  
strona / page

**CG03-XX 3000 PSI**



124  
strona / page

**CG06-XX 6000 PSI**



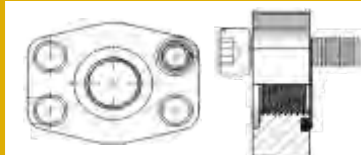
125  
strona / page

**PG03-XX 3000 PSI**



126  
strona / page

**PG06-XX 6000 PSI**



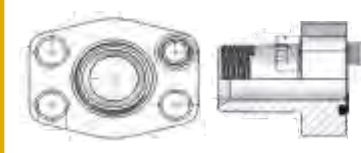
127  
strona / page

**NG03-XX 3000 PSI & NG06-XX 6000 PSI**



128  
strona / page

**FDG3-XX 3000 PSI & FDG6-XX 6000 PSI**



129  
strona / page

**N0G3-XX 3000 PSI & N0G6-XX 6000 PSI**



130  
strona / page

**FS03-XX 3000 PSI & FS06-XX 6000 PSI**



131  
strona / page

**CS03-XX 3000 PSI & CS06-XX 6000 PSI**



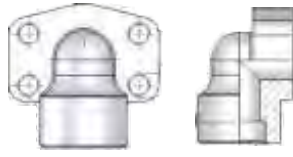
132  
strona / page

**NS03-XX 3000 PSI & NS06-XX 6000 PSI**



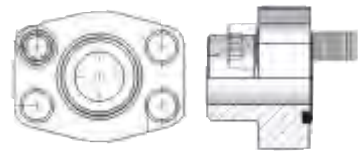


VS03-XX 3000 PSI & VS06-XX 6000 PSI



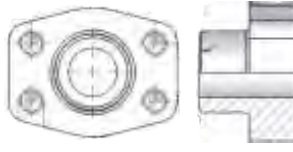
133  
strona / page

FB03-XX 3000 PSI & FB06-XX 6000 PSI



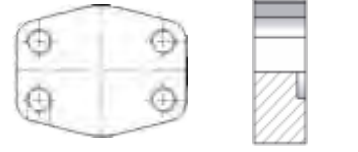
134  
strona / page

CB03-XX 3000 PSI & CB06-XX 6000 PSI



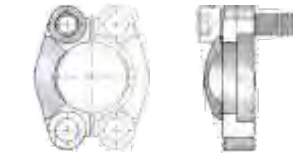
135  
strona / page

CC03-XX 3000 PSI & CC06-XX 6000 PSI



136  
strona / page

S003-XX 3000 PSI & S006-XX 6000 PSI



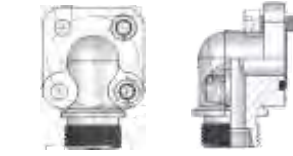
137  
strona / page

MDD0



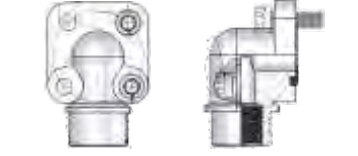
138  
strona / page

G4D0



139  
strona / page

G4G0



140  
strona / page

G3G0



141  
strona / page

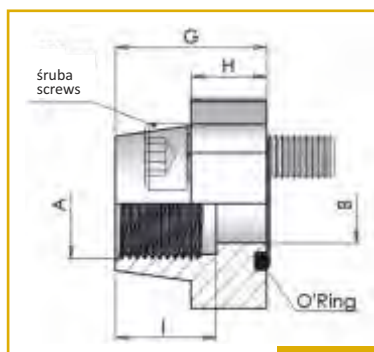
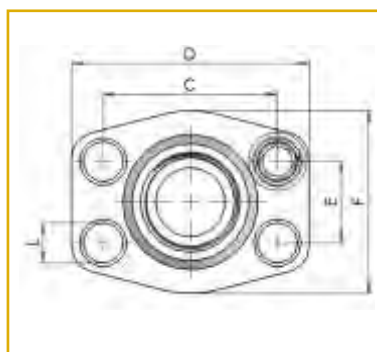


**Przyłącze flanszowe typ SAE- gwintowane BSP**  
 BSP threaded flanges SAE

**FG03** 3000 psi

Śruby Screws		Ciśnienie Pressure (bar)	Typ o-ring Type o-ring	Wymiary Dimensions										Wielkość Size	FG03-XX
Metryczna Metric	UNC UNC			max	A	B	C	D	E	F	G	H	I		
<b>3000 psi</b>															
M8x30	5/16x1 1/4"	345	4075	1/2" GAS	13	38,10	57	17,48	46	36	16	19	9	1/2"	FG03-08
M8x30	5/16x1 1/4"			3/8" GAS	13	38,10	57	17,48	46	36	16	19	9	1/2"	FG03-0806
M10x35	3/8x1 1/2"	345	4100	3/4" GAS	19	47,63	65	22,23	50	36	18	19	11	3/4"	FG03-12
M10x35	3/8x1 1/2"			1/2" GAS	13	47,63	65	22,23	50	36	18	19	11	3/4"	FG03-1208
M10x35	3/8x1 1/2"	276	4131	1" GAS	25	52,37	70	26,19	55	38	18	22	11	1"	FG03-16
M10x40	3/8x1 1/2"			3/4" GAS	19	52,37	70	26,19	55	35	21	19	11	1"	FG03-1612
M10x40	7/16x1 3/4"	276	4150	1 1/4" GAS	32	58,72	79	30,18	68	40	21	22	11,5	1 1/4"	FG03-20
M10x40	7/16x1 3/4"			1" GAS	25	58,72	81	30,18	65	42	25	24	11,5	1 1/4"	FG03-2016
M12x45	1/2x1 3/4"	207	4187	1 1/2" GAS	38	69,85	93	35,71	78	45	25	24	13,5	1 1/2"	FG03-24
M12x45	1/2x1 3/4"			1 1/4" GAS	32	69,85	95	35,71	78	45	27	24	13,5	1 1/2"	FG03-2420
M12x45	1/2x1 3/4"	172	4225	2" GAS	51	77,77	102	42,88	90	45	25	30	13,5	2"	FG03-32
M12x45	1/2x1 3/4"			1 1/2" GAS	38	77,77	102	42,88	90	45	25	26	13,5	2"	FG03-3224
M12x45	1/2x1 3/4"	172	4275	2 1/2" GAS	63	88,90	114	50,8	105	50	25	30	13,5	2 1/2"	FG03-40
M12x45	1/2x1 3/4"	173	4275	2" GAS	51	88,90	114	50,8	105	50	25	30	13,5	2 1/2"	FG03-4032
M16x50	5/8x2"	138	4337	3" GAS	73	106,38	134	61,93	124	50	27	34	17,5	3"	FG03-48
M16x50	5/8x2"			2 1/2" GAS	63	106,38	134	61,93	124	50	27	30	17,5	3"	FG03-4840
M16x50	5/8x2"	34	4387	3 1/2" GAS	89	120,65	152	69,85	136	48	27	34	17,5	3 1/2"	FG03-56
M16x50	5/8x2"			3" GAS	73	120,65	152	69,85	136	48	27	34	17,5	3 1/2"	FG03-5648
M16x50	5/8x2"			4" GAS	99	130,18	162	77,77	146	48	27	34	17,5	4"	FG03-64

**Przyłącze flanszowe typ SAE 3000 PSI - gwintowane BSP**  
 BSP threaded flanges 3000 PSI



FG03-XX

\*Dodatkowe opcje/ additional options:  
 Gwinty wewnętrzne/ internal thread NPT (FN03-XX) lub/ or UNF (FU03-XX)



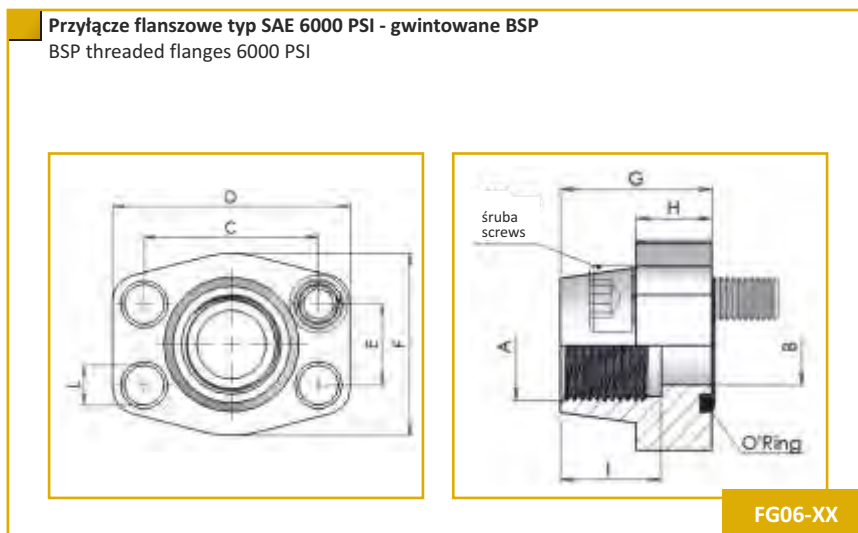
**Przyłącze flanszowe typ SAE- gwintowane BSP**  
BSP threaded flanges SAE

**FG06** 6000 psi

Śruby Screws		Ciśnienie Pressure (bar)	Typ o-ringa Type o-ring	Wymiary Dimensions										Wielkość Size	FG06-XX
Metryczna Metric	UNC UNC			max	A	B	C	D	E	F	G	H	I		

**6000 psi**

M8x30	5/16x1 1/4"	414	4075	1/2" GAS	13	40,49	57	18,24	46	36	16	19	9	1/2"	FG06-08
M8x30	5/16x1 1/4"		4075	3/8" GAS	13	40,49	57	18,24	46	36	16	19	9	1/2"	FG06-0806
M10x40	5/16x1 1/4"		4100	3/4" GAS	19	50,80	71	23,8	55	35	21	22	11	3/4"	FG06-12
M10x40	5/16x1 1/4"		4100	1/2" GAS	13	50,80	71	23,8	55	35	21	22	11	3/4"	FG06-1208
M12x45	7/16x1 3/4"		4131	1" GAS	25	57,15	81	27,76	65	42	25	24	13	1"	FG06-16
M12x45	7/16x1 3/4"		4131	3/4" GAS	19	57,15	81	27,76	65	42	25	24	13	1"	FG06-1612
M14x45	1/2x1 3/4"		4150	1 1/4" GAS	32	66,68	95	31,75	78	45	27	25	15	1 1/4"	FG06-20
M14x45	1/2x1 3/4"		4150	1" GAS	25	66,68	95	31,75	78	45	27	25	15	1 1/4"	FG06-2016
M16x50	5/8x2"		4187	1 1/2" GAS	38	79,38	112	36,5	94	50	30	28	17	1 1/2"	FG06-24
M16x50	5/8x2"		4187	1 1/4" GAS	32	79,38	112	36,5	94	50	30	28	17	1 1/2"	FG06-2420
M20x70	3/4x2 1/2"		4225	2" GAS	51	96,82	134	44,45	114	65	37	30	21	2"	FG06-32
M20x70	3/4x2 1/2"		4225	1 1/2" GAS	38	96,82	134	44,45	114	65	37	30	21	2"	FG06-3224
M24x80	-		4275	2 1/2" GAS	63	123,80	180	58,7	152	80	45	32	26	2 1/2"	FG06-40
M30x100	-		4237	3" GAS	73	152,40	208	71,4	178	90	55	40	33	3"	FG06-48



\*Dodatkowe opcje/ additional options:  
Gwinty wewnętrzne/ internal thread NPT (FN06-XX) lub/ or UNF (FU06-XX)

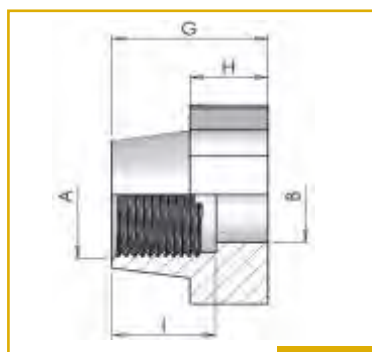
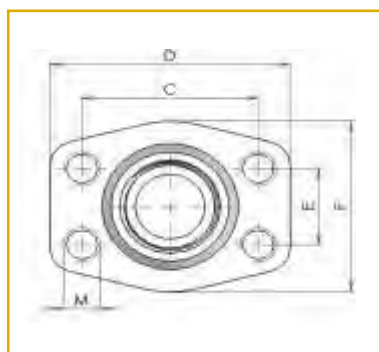


**Przeciwflansza typ SAE 3000 PSI - gwintowana BSP**  
 BSP threaded counter flanges 3000 PSI

**CG03** 3000 psi

Metryczna Metric	UNC UNC	Ciężnienie Pressure (bar)	Wymiary Dimensions									Wielkość Size	CG03-XX	
			M	max	A	B	C	D	E	F	G			H
<b>3000 psi</b>														
M8	5/16	345	1/2" GAS	13	38,10	57	17,48	46	36	16	19	1/2"	CG03-08	
M8	5/16		3/8" GAS	13	38,10	57	17,48	46	36	16	19	1/2"	CG03-0806	
M10	3/8		3/4" GAS	19	47,63	65	22,23	50	36	18	19	3/4"	CG03-12	
M10	3/8		1/2" GAS	13	47,63	65	22,23	50	36	18	19	3/4"	CG03-1208	
M10	3/8		1" GAS	25	52,37	70	26,19	55	38	18	22	1"	CG03-16	
M10	3/8		3/4" GAS	19	52,37	70	26,19	55	35	21	19	1"	CG03-1612	
M10	7/16	276	1"1/4 GAS	32	58,72	79	30,18	68	40	21	22	1 1/4"	CG03-20	
M10	7/16		1" GAS	25	58,72	81	30,18	65	42	25	24	1 1/4"	CG03-2016	
M12	1/2	207	1"1/2 GAS	38	69,85	93	35,71	78	45	25	24	1 1/2"	CG03-24	
M12	1/2		1"1/4 GAS	32	69,85	95	35,71	78	45	27	24	1 1/2"	CG03-2420	
M12	1/2		2" GAS	51	77,77	102	42,88	90	45	25	30	2"	CG03-32	
M12	1/2		1"1/2 GAS	38	77,77	102	42,88	90	45	25	26	2"	CG03-3224	
M12	1/2	172	2"1/2 GAS	63	88,90	114	50,80	105	50	25	30	2 1/2"	CG03-40	
M12	1/2	173	2" GAS	51	88,90	114	50,80	105	50	25	30	2 1/2"	CG03-4032	
M16	5/8	138	3" GAS	73	106,38	134	61,93	124	50	27	34	3"	CG03-48	
M16	5/8		2"1/2 GAS	63	106,38	134	61,93	124	50	27	30	3"	CG03-4840	
M16	5/8	34	3"1/2 GAS	89	120,65	152	69,85	136	48	27	34	3 1/2"	CG03-56	
M16	5/8		3" GAS	73	120,65	152	69,85	136	48	27	34	3 1/2"	CG03-5648	
M16	5/8		4" GAS	99	130,18	162	77,77	146	48	27	34	4"	CG03-64	

**Przeciwflansza typ SAE 3000 PSI - gwintowana BSP**  
 BSP threaded counter flanges 3000 PSI



CG03-XX

\*Dodatkowe opcje/ additional options:  
 Gwinty wewnętrzne/ internal thread NPT (CN03-XX) lub/ or UNF (CU03-XX)





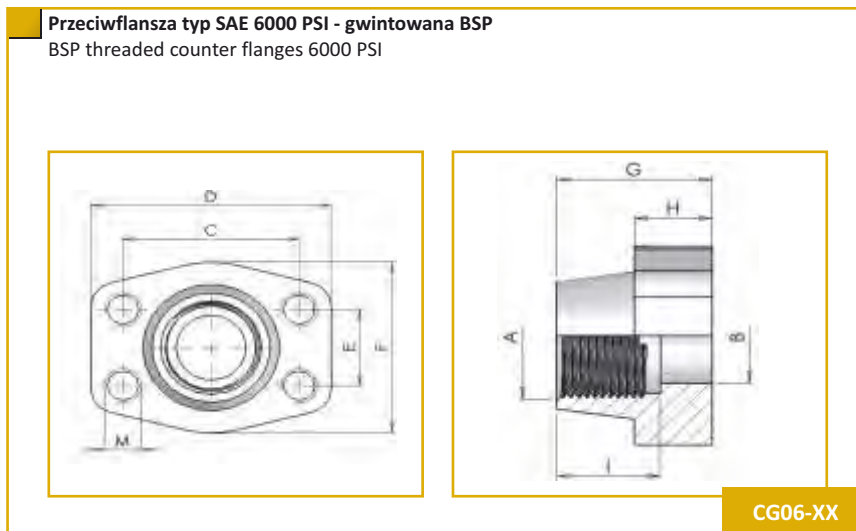
**Przeciwflansza typ SAE 6000 PSI - gwintowana BSP**  
BSP threaded counter flanges 6000 PSI

**CG06** 6000 psi

Metryczna Metric	UNC UNC	Ciśnienie Pressure (bar)	Wymiary Dimensions									Wielkość Size	CG06-XX
			M	max	A	B	C	D	E	F	G		

**6000 psi**

M8	5/16	414	1/2" GAS	13	40,49	57	18,24	46	36	16	19	1/2"	CG06-08
M8	5/16		3/8" GAS	13	40,49	57	18,24	46	36	16	19	1/2"	CG06-0806
M10	3/8		3/4" GAS	19	50,80	71	23,8	55	35	21	22	3/4"	CG06-12
M10	3/8		1/2" GAS	13	50,80	71	23,8	55	35	21	22	3/4"	CG06-1208
M12	7/16		1" GAS	25	57,15	81	27,76	65	42	25	24	1"	CG06-16
M12	7/16		3/4" GAS	19	57,15	81	27,76	65	42	25	24	1"	CG06-1612
M14	1/2		1 1/4" GAS	32	66,68	95	31,75	78	45	27	25	1 1/4"	CG06-20
M14	1/2		1" GAS	25	66,68	95	31,75	78	45	27	25	1 1/4"	CG06-2016
M16	5/8		1 1/2" GAS	38	79,38	112	36,5	94	50	30	28	1 1/2"	CG06-24
M16	5/8		1 1/4" GAS	32	79,38	112	36,5	94	50	30	28	1 1/2"	CG06-2420
M20	3/4		2" GAS	51	96,82	134	44,45	114	65	37	30	2"	CG06-23
M20	3/4		1 1/2" GAS	38	96,82	134	44,45	114	65	37	30	2"	CG06-3224
M24	-		2 1/2" GAS	63	123,80	180	58,7	152	80	45	32	2 1/2"	CG06-40
M30	-		3" GAS	73	152,40	208	71,4	178	90	55	40	3"	CG06-48



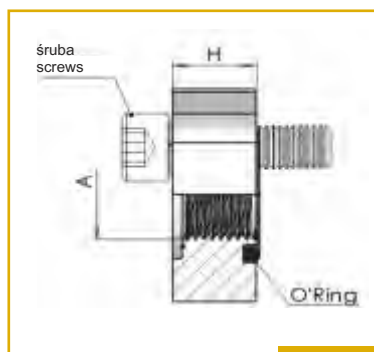
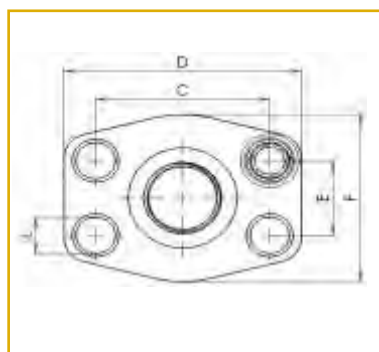
\*Dodatkowe opcje/ additional options:  
Gwinty wewnętrzne/ internal thread NPT (FN06-XX) lub/ or UNF (FU06-XX)

**Przyłącze flanszowe typ SAE- płaskie, gwintowane BSP**  
 BSP threaded flat flanges SAE

**PG03** 3000 psi

Śruby Screws		Ciężnienie Pressure (bar)	Typ o-ring Type o-ring	Wymiary Dimensions							Wielkość Size	PG03-XX
Metryczna Metric	UNC UNC			max	A	C	D	E	F	H		
<b>3000 psi</b>												
M10x35	3/8x1"1/2	345	4100	3/4" GAS	47,63	65	22,23	50	15	11	3/4"	PG03-12
M10x35	3/8x1"1/2			1/2" GAS	47,63	65	22,23	50	15	11	3/4"	PG03-1208
M10x35	3/8x1"1/2	300	4131	1" GAS	52,37	70	26,19	60	19	11	1"	PG03-16
M10x35	3/8x1"1/2			3/4" GAS	52,37	70	26,19	60	19	11	1"	PG03-1612
M10x40	7/16x1"3/4	276	4150	1"1/4 GAS	58,72	79	30,18	68	19	11,5	1"1/4	PG03-20
M10x40	7/16x1"3/4			1" GAS	58,72	79	30,18	68	19	11,5	1"1/4	PG03-2016
M12x45	1/2"x1"3/4	207	4187	1"1/2 GAS	69,85	93	35,71	78	19	13,5	1"1/2	PG03-24
M12x45	1/2"x1"3/4			1"1/4 GAS	69,85	93	35,71	78	19	13,5	1"1/2	PG03-2420
M12x45	1/2"x1"3/4			2" GAS	77,77	102	42,88	90	19	13,5	2"	PG03-32
M12x45	1/2"x1"3/4			1"1/2 GAS	77,77	102	42,88	90	19	13,5	2"	PG03-3224
M12x45	1/2x1"3/4	172	4275	2"1/2 GAS	88,90	114	50,80	105	19	13,5	2"1/2	PG03-40
M12x45	1/2x1"3/4			2" GAS	88,90	114	50,80	105	19	13,5	2"1/2	PG03-4032
M16x50	5/8x2"	138	4337	3" GAS	106,38	134	61,83	124	23	17,5	3"	PG03-48
M16x50	5/8x2"			2"1/2 GAS	106,38	134	61,83	124	23	17,5	3"	PG03-4840
M16x50	5/8x2"	34	4387	3"1/2 GAS	120,65	152	69,85	136	21	17,5	3"1/2	PG03-56
M16x50	5/8x2"			3" GAS	120,65	152	69,85	136	21	17,5	3"1/2	PG03-5648
M16x50	5/8x2"			4" GAS	130,18	162	77,77	146	24	17,5	4"	PG03-64
M16x50	5/8x2"			3"1/2 GAS	130,18	162	77,77	146	24	17,5	4"	PG03-6456

**Przyłącze flanszowe typ SAE 3000 PSI- płaskie, gwintowane BSP**  
 BSP threaded flat flanges 3000 PSI



PG03-XX





**Przyłącze flanszowe typ SAE- płaskie, gwintowane BSP**  
BSP threaded flat flanges SAE

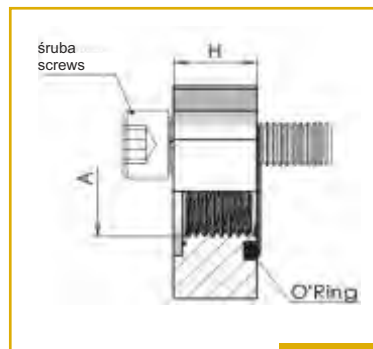
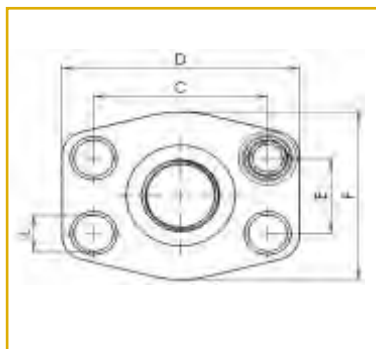
**PG06** 6000 psi

Śruby Screws		Ciśnienie Pressure (bar)	Typ o-ring Type o-ring	Wymiary Dimensions							Wielkość Size	PG03-XX
Metryczna Metric	UNC UNC			max	A	C	D	E	F	H		

**6000 psi**

M10x35	3/8x1"1/2	414	4100	3/4" GAS	50,80	71	23,80	60	19	11	3/4"	PG06-12
M10x35	3/8x1"1/2		4100	1/2" GAS	50,80	71	23,80	60	19	11	3/4"	PG06-1208
M12x45	7/16x1"3/4		4131	1" GAS	57,15	81	27,76	70	23	13	1"	PG06-16
M12x45	7/16x1"3/4		4131	3/4" GAS	57,15	81	27,76	70	23	13	1"	PG06-1612
M14x45	1/2x1"3/4		4150	1"1/4 GAS	66,68	95	31,75	78	26	15	1"1/4	PG06-20
M14x45	1/2x1"3/4		4150	1" GAS	66,68	95	31,75	78	26	15	1"1/4	PG06-2016
M16x50	5/8x2"		4187	1"1/2 GAS	79,38	112	36,50	94	29	17	1"1/2	PG06-24
M16x50	5/8x2"		4187	1"1/4 GAS	79,38	112	36,50	94	29	17	1"1/2	PG06-2420
M20x60	3/4x2"1/2		4225	2" GAS	96,82	134	44,45	114	28	21	2"	PG06-32
M20x60	3/4x2"1/2		4225	1"1/2 GAS	96,82	134	44,45	114	28	21	1"1/2	PG06-4024

**Przyłącze flanszowe typ SAE 6000 PSI- płaskie, gwintowane BSP**  
BSP threaded flat flanges 6000 PSI



PG06-XX



**Przyłącze flanszowe typ SAE, kątowne 90° - gwintowane BSP**  
 BSP threaded 90° flanges

**NG03 & NG06** 3000 psi  
 6000 psi

Śruby Screws		Ciężnienie Pressure (bar)	Typ o-ring Type o-ring	Wymiary Dimensions											Wielkość Size	NG03-XX NG06-XX
Metryczna Metric	UNC UNC			max	A	B	C	D	E	F	G	H	I	L		

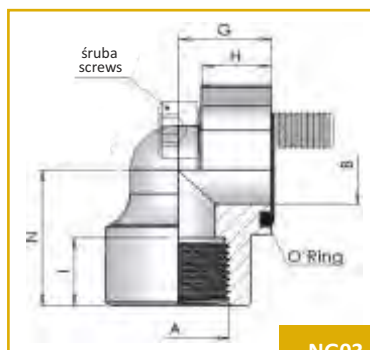
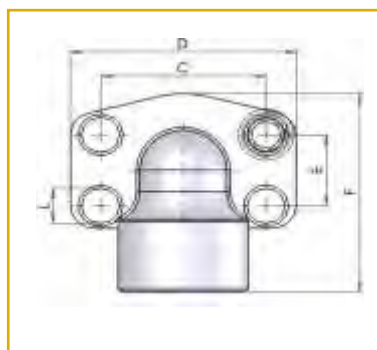
**3000 psi**

M8x30	5/16x1"1/4	345	4075	1/2" GAS	13	38,10	54	17,48	60	20	16	19	9	37	1/2"	NG03-08
M8x30	5/16x1"1/4		4075	3/8" GAS	13	38,10	54	17,48	60	20	16	19	9	37	1/2"	NG03-08 06
M10x35	3/8x1"1/2		4100	3/4" GAS	19	47,63	65	22,23	63	24	18	19	11	38	3/4"	NG03-12
M10x35	3/8x1"1/2		4100	1/2" GAS	19	47,63	65	22,23	63	24	18	19	11	38	3/4"	NG03-1208
M10x35	3/8x1"1/2		4131	1" GAS	25	52,37	70	26,19	70	28	19	20	11	43	1"	NG03-16
M10x40	3/8x1"1/2		4131	3/4" GAS	25	52,37	70	26,19	70	28	19	20	11	43	1"	NG03-1612
M10x40	7/16x1"3/4	276	4150	1"1/4 GAS	32	58,72	79	30,18	85	34	21	22	11,5	51	1"1/4	NG03-20
M10x40	7/16x1"3/4		4150	1" GAS	32	58,72	79	30,18	85	34	21	22	11,5	51	1"1/4	NG03-201 6
M12x45	1/2x1"3/4	207	4187	1"1/2 GAS	38	69,85	93	35,71	95	38	25	25	13,5	56	1"1/2	NG03-24
M12x45	1/2x1"3/4		4187	1"1/4 GAS	38	69,85	93	35,71	95	38	25	25	13,5	56	1"1/2	NG03-2420
M12x45	1/2x1"3/4		4225	2" GAS	51	77,77	110	42,88	110	42	25	28	13,5	65	2"	NG03-32
M12x45	1/2x1"3/4		4225	1"1/2 GAS	51	77,77	110	42,88	110	42	25	28	13,5	65	2"	NG03-3224

**6000 psi**

M8x30	5/16x1"1/4	414	4075	1/2" GAS	13	40,49	54	18,24	60	20	16	19	9	37	1/2"	NG06-08
M8x30	5/16x1"1/4		4075	3/8" GAS	13	40,49	54	18,24	60	20	16	19	9	37	1/2"	NG06-0806
M10x35	3/8x1"1/2		4100	3/4" GAS	19	50,80	70	23,80	70	28	19	20	11	43	3/4"	NG06-12
M10x35	3/8x1"1/2		4100	1/2" GAS	19	50,80	70	23,80	70	28	19	20	11	43	3/4"	NG06-1208
M12x45	7/16x1"3/4		4131	1" GAS	25	57,15	79	27,76	85	34	21	22	13	51	1"	NG06-16
M12x45	7/16x1"3/4		4131	3/4" GAS	25	57,15	79	27,76	85	34	21	22	13	51	1"	NG06-1612
M14x45	1/2x1"3/4		4150	1"1/4 GAS	32	66,68	93	31,75	95	38	25	25	15	56	1"1/4	NG06-20
M14x45	1/2x1"3/4		4150	1" GAS	32	66,68	93	31,75	95	38	25	25	15	56	1"1/4	NG06-201 6
M16x50	5/8x2"		4187	1"1/2 GAS	38	79,38	110	36,50	110	42	25	28	17	65	1"1/2	NG06-24
M16x50	5/8x2"		4187	1"1/4 GAS	38	79,38	110	36,50	110	42	25	28	17	65	1"1/2	NG06-2420
M20x70	3/4x2"1/2		4225	2" GAS	51	96,82	134	44,45	132	45	35	33	21	75	2"	NG06-32
M20x70	3/4x2"1/2		4225	1"1/2 GAS	51	96,82	134	44,45	132	45	35	33	21	75	2"	NG06-3224

**Przyłącze flanszowe typ SAE, kątowne 90°-3000 PSI (6000 PSI) -gwintowane BSP**  
 BSP threaded 90° flanges 3000 PSI (6000 PSI)



NG03-XX

NG06-XX

\*Dodatkowe opcje/ additional options:

Gwinty wewnętrzne/ internal thread NPT (NN03(06)-XX) lub/ or UNF (NU03(06)-XX)



**Przyłącze flanszowe typ SAE z gwintem BSP- stożek 60°**  
**60° tapered seat BSP threaded flanges**

**FDG3 & FDG6** 3000 psi  
6000 psi

Śruby Screws		Ciśnienie Pressure (bar)	Typ o-ring Type o-ring	Wymiary Dimensions										Wielkość Size	FDG3-XX FDG6-XX
Metryczna Metric	UNC UNC			max	A	B	C	D	E	F	G	H	I		

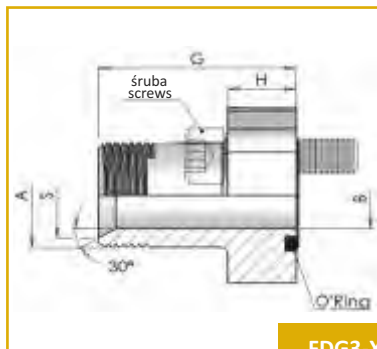
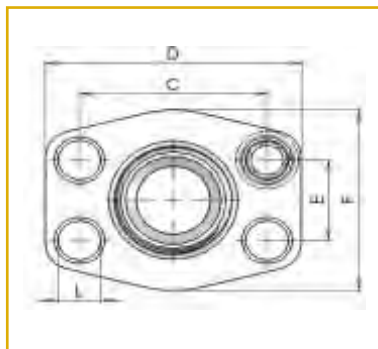
**3000 psi**

M8x30	5/16x1"1/4	345	4075	1/2" GAS	12	38,10	54	17,48	46	52	13	9,0	17,5	1/2"	FDG3-08
M8x30	5/16x1"1/4		4075	3/8" GAS	9	38,10	54	17,48	46	52	13	9,0	14,0	1/2"	FDG3-0806
M10x35	3/8x1"1/2		4100	3/4" GAS	17	47,63	65	22,23	50	60	14	11,5	22,9	3/4"	FDG3-12
M10x35	3/8x1"1/2		4100	1/2" GAS	12	47,63	65	22,23	50	60	14	11,5	17,5	3/4"	FDG3-1208
M10x35	3/8x1"1/2		4131	1" GAS	22	52,37	70	26,19	55	63	16	11,5	28,7	1"	FDG3-16
M10x40	3/8x1"1/2		4131	3/4" GAS	17	52,37	70	26,19	55	63	16	11,5	22,9	1"	FDG3-1612
M10x35	7/16x1"3/4	276	4150	1"1/4 GAS	29	58,72	79	30,18	68	65	14	11,5	36,8	1"1/4	FDG3-20
M10x35	7/16x1"3/4		4150	1" GAS	22	58,72	79	30,18	68	65	14	11,5	28,7	1"1/4	FDG3-2016
M12x35	1/2x1"3/4	207	4187	1"1/2 GAS	34	69,85	94	35,71	78	70	16	13,5	42,7	1"1/2	FDG3-24
M12x35	1/2x1"3/4		4187	1"1/2 GAS	29	69,85	94	35,71	78	70	16	13,5	36,8	1"1/2	FDG3-2420

**6000 psi**

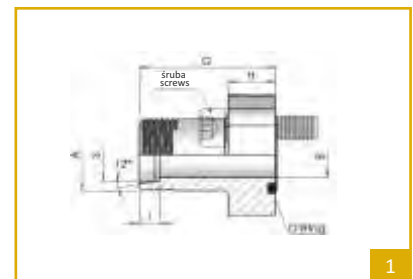
M8x30	5/16x1"1/4	414	4075	1/2" GAS	12	40,49	56	18,24	48	60	16	9	17,5	1/2"	FDG6-08
M8x30	5/16x1"1/5		4075	3/8" GAS	9	40,49	56	18,24	48	60	16	9	14,0	1/2"	FDG6-0806
M10x40	3/8x1"1/2		4100	3/4" GAS	17	50,80	71	23,80	60	73	19	12	22,9	3/4"	FDG6-12
M10x40	3/8x1"1/3		4100	1/2" GAS	12	50,80	71	23,80	60	73	19	12	17,5	3/4"	FDG6-1208
M12x45	7/16x1"3/4		4131	1" GAS	22	57,15	81	27,76	70	82	24	13	28,7	1"	FDG6-16
M12x45	7/16x1"3/5		4131	3/4" GAS	17	57,15	81	27,76	70	82	24	13	22,9	1"	FDG6-1612
M14x45	1/2x1"3/4		4150	1"1/4 GAS	29	66,68	95	31,75	78	92	27	15	36,8	1"1/4	FDG6-20
M14x45	1/2x1"3/5		4150	1" GAS	22	66,68	95	31,75	78	92	27	15	28,7	1"1/4	FDG6-2016
M16x50	5/8x2"		4187	1"1/2 GAS	34	79,38	113	36,50	95	96	30	17	42,7	1"1/2	FDG6-24
M16x50	5/8x2"		4187	1"1/4 GAS	29	79,38	113	36,50	95	96	30	17	36,8	1"1/2	FDG6-2420

**Przyłącze flanszowe typ SAE- 3000 PSI (6000 PSI) z gwintem BSP, stożek 60°**  
**60° tapered seat BSP threaded flanges 3000PSI (6000 PSI)**

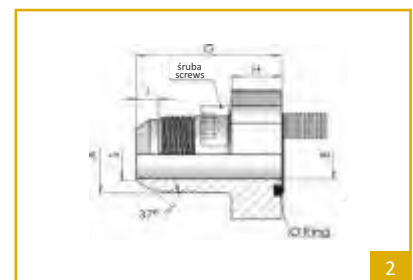


FDG3-XX

FDG6-XX



1



2

\*Dodatkowe opcje/ additional options:

**Gwinty wewnętrzne/ internal thread DIN2353 (FDD3(6)-XX)** patrz rysunek 1/ look drawing 1  
**lub/ or JIC (FDJ3(6)-XX)** patrz rysunek 2/ look drawing 2

**Przyłącze flanszowe typ SAE- kątowe 90° z gwintem BSP - stożek 60°**  
 90° flanges with 60° tapered seat and BSP thread SAE

**NOG3 & NOG6** 3000 psi  
 6000 psi

Śruby Screws		Ciśnienie Pressure (bar)	Typ o-ring Type o-ring	Wymiary Dimensions											Wielkość Size	NOG3-XX NOG6-XX
Metryczna Metric	UNC UNC			max	A	B	C	D	E	F	G	H	L	N		

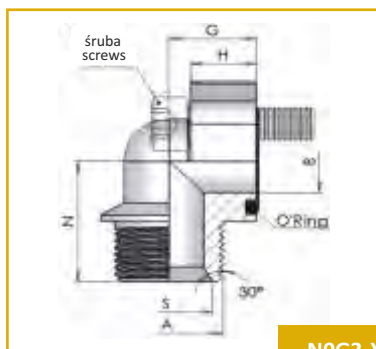
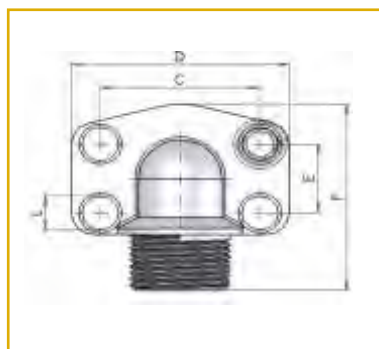
**3000 psi**

M8x30	5/16x1" 1/4	345	4075	1/2" GAS	11,5 / 13	38,10	54	17,48	61	20	16	9	38	17,5	1/2"	NOG3-08
M8x30	5/16x1" 1/4		4075	3/8" GAS	8,5 / 13	38,10	54	17,48	61	20	16	9	38	14,0	1/2"	NOG3-0806
M10x35	3/8x1" 1/2		4100	3/4" GAS	17 / 19	47,63	65	22,23	64	24	18	11	39	22,9	3/4"	NOG3-12
M10x35	3/8x1" 1/2		4131	1" GAS	22 / 25	52,37	70	26,19	70	28	19	11	43	28,7	1"	NOG3-16
M10x35	7/16x1" 3/4	276	4150	1" 1/4 GAS	28,5 / 32	58,72	79	30,18	85	34	21	12	51	36,8	1" 1/4	NOG3-20
M12x35	1/2x1" 3/4	207	4187	1" 1/2 GAS	34 / 38	69,85	93	35,71	96	38	25	14	56	42,7	1" 1/2	NOG3-24

**6000 psi**

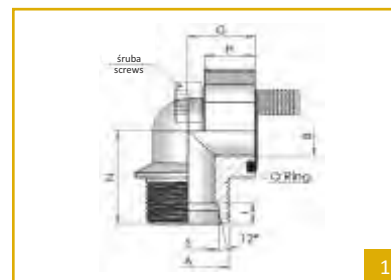
M8x30	5/16x1" 1/4	414	4075	1/2" GAS	11,5 / 13	40,49	54	18,24	61	20	16	9	38	18	1/2"	NOG6-0808
M8x30	5/16x1" 1/4		4075	3/8" GAS	8,5 / 13	40,49	54	18,24	61	20	16	9	38	14	1/2"	NOG6-0806
M10x40	3/8x1" 1/2		4100	3/4" GAS	17 / 19	50,80	70	23,80	70	28	19	11	43	23	3/4"	NOG6-12
M12x45	7/16x1" 3/4		4131	1" GAS	22 / 25	57,15	79	27,76	85	34	21	13	51	29	1"	NOG6-16
M14x45	1/2x1" 3/4		4150	1" 1/4 GAS	28,5 / 32	66,68	93	31,75	96	38	25	15	56	37	1" 1/4	NOG6-20
M16x50	5/8x2"		4187	1" 1/2 GAS	34 / 38	79,38	110	36,50	110	42	25	17	65	43	1" 1/2	NOG6-24

**Przyłącze flanszowe typ SAE kątowe 90°- 3000 PSI (6000 PSI), z gwintem BSP, stożek 60°**  
 90° Flanges with 60° tapered seat and BSP thread 3000 PSI, 6000 PSI

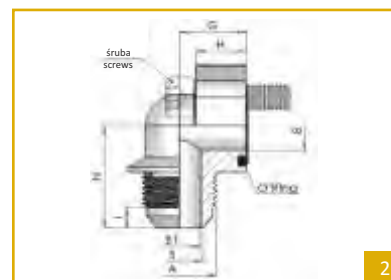


NOG3-XX

NOG6-XX



1



2

\*Dodatkowe opcje/ additional options:

Gwinty wewnętrzne/ internal thread **DIN2353 (NOJ3(6)-XX)** patrz rysunek 1/ look drawing 1  
 lub/ or **JIC (NOJ3(6)-XX)** patrz rysunek 2/ look drawing 2



**Przyłącze flanszowe typ SAE do spawania**  
Welding flanges SAE

**FS03 & FS06** 3000 psi  
6000 psi

Śruby Screws		Ciśnienie Pressure (bar)	Typ o-ring Type o-ring	Wymiary Dimensions										Wielkość Size	FS03-XX FS06-XX
Metryczna Metric	UNC UNC			max	A	B	C	D	E	F	G	H	I		

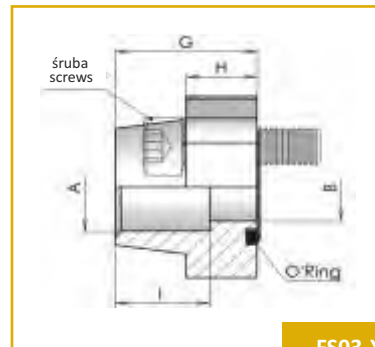
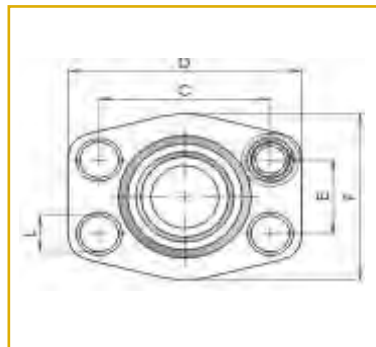
**3000 psi**

M8x30	5/16x1"1/4	345	4075	21,6	13	38,10	57	17,48	46	36	16	19	9,0	1/2"	FS03-08	
M8x30	5/16x1"1/4			17,5	13	38,10	57	17,48	46	36	16	19	9,0	1/2"	FS03-806	
M10x35	3/8"x1"1/2			4100	27,2	19	47,63	65	22,23	50	36	18	19	11,0	3/4"	FS03-12
M10x35	3/8x1"1/2			4131	34	25	52,37	70	26,19	55	38	18	19	11,0	1"	FS03-16
M10x40	7/16x1"3/4	276	4150	42,8	32	58,72	79	30,18	68	41	21	22	11,5	1"1/4	FS03-20	
M12x45	1/2x1"3/4	207	4187	48,6	38	69,85	93	35,71	78	45	25	24	13,5	1"1/2	FS03-24	
M12x45	1/2x1"3/4			4225	61	51	77,77	102	42,88	90	45	25	26	13,5	2"	FS03-32
M12x45	1/2x1"3/4	172	4275	76,6	63	88,90	114	50,80	105	50	25	30	13,5	2"1/2	FS03-40	
M16x50	5/8"x2"	138	4337	90,5	73	106,38	134	61,93	124	50	27	34	17,5	3"	FS03-48	
M16x50	5/8x2"	34	4387	103	89	120,65	152	69,85	136	48	27	34	17,5	3"1/2	FS03-56	
M16x50	5/8x2"			4437	115,5	99	130,18	162	77,77	146	48	27	34	17,5	4"	FS03-64

**6000 psi**

M8x30	5/16x1"1/4	414	4075	21,6	13	40,49	57	18,24	46	36	16	19	9	1/2"	FS06-0808	
M8x30	5/16x1"1/4			17,5	13	40,49	57	18,24	46	36	16	19	9	1/2"	FS06-0806	
M10x40	3/8x1"1/2			4100	27,2	19	50,80	71	23,80	55	35	21	22	11	3/4"	FS06-12
M12x45	7/16x1"3/4			4131	34	25	57,15	81	27,76	65	42	25	22	13	1"	FS06-16
M14x45	1/2x1"3/4			4150	42,8	32	66,68	95	31,75	78	45	27	25	15	1"1/4	FS06-20
M16x50	5/8x2"			4187	48,6	38	79,38	112	36,50	94	50	30	28	17	1"1/2	FS06-24
M20x70	3/4x2"1/2			4225	61	51	96,82	134	44,45	114	65	37	24	21	2"	FS06-32
M24x80	-			4275	76,6	63	123,80	180	58,70	152	80	45	32	26	2"1/2	FS06-40
M30x100	-			4337	90,5	73	152,40	208	71,40	178	90	55	30	33	3"	FS06-48

**Przyłącze flanszowe typ SAE do spawania- 3000 PSI (6000 PSI)**  
Welding flanges SAE 3000 PSI (6000PSI)



FS03-XX

FS06-XX

\*Dodatkowe opcje/ additional options:  
Wykonanie pod rurki metryczne/ for metric tubes FSM3(6)-XX

**Przeciwflansza typ SAE do spawania**  
 Welding counter flanges SAE

**CS03 & CS06** 3000 psi  
 6000 psi

Metryczna Metric	UNC UNC	Ciężnienie Pressure (bar)	Wymiary Dimensions									Wielkość Size	CS03-XX CS06-XX
			M	max	A	B	C	D	E	F	G		

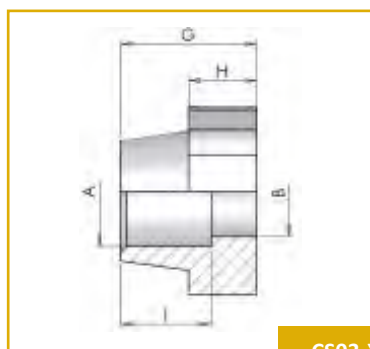
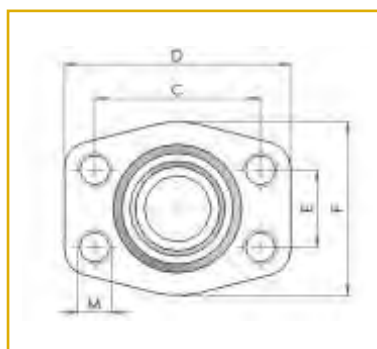
**3000 psi**

M8	5/16	345	21,6	13	38,10	57	17,48	46	36	16	19	1/2"	CS03-08
M8	5/16		17,5	13	38,10	57	17,48	46	36	16	19	1/2"	CS03-0806
M10	3/8		27,2	19	47,63	65	22,23	50	36	18	19	3/4"	CS03-12
M10	3/8	276	34	25	52,37	70	26,19	55	38	18	19	1"	CS03-16
M10	7/16		42,8	32	58,72	79	30,18	68	41	21	22	1"1/4"	CS03-24
M12	1/2	207	48,6	38	69,85	93	35,71	78	45	25	24	1"1/2"	CS03-32
M12	1/2		61	51	77,77	102	42,88	90	45	25	26	2"	CS03-40
M12	1/2	172	76,6	63	88,90	114	50,80	105	50	25	30	2"1/2"	CS03-48
M16	5/8	138	90,5	73	106,38	134	61,93	124	50	27	34	3"	CS03-56
M16	5/8	34	103	89	120,65	152	69,85	136	48	27	34	3"1/2"	CS03-64
M16	5/8		115,5	99	130,18	162	77,77	146	48	27	34	4"	CS03-20

**6000 psi**

M8	5/16	414	21,6	13	40,49	57	18,24	46	36	16	19	1/2"	CS06-0808
M8	5/16		17,5	13	40,49	57	18,24	46	36	16	19	1/2"	CS06-0806
M10	3/8		27,2	19	50,80	71	23,80	55	35	21	22	3/4"	CS06-12
M12	7/16	276	34	25	57,15	81	27,76	65	42	25	22	1"	CS06-16
M14	1/2		42,8	32	66,68	95	31,75	78	45	27	25	1"1/4"	CS06-20
M16	5/8	207	48,6	38	79,38	112	36,50	94	50	30	28	1"1/2"	CS06-24
M20	3/4		61	51	96,82	134	44,45	114	65	37	24	2"	CS06-32
M24	-	172	76,6	63	123,80	180	58,70	152	80	45	32	2"1/2"	CS06-40
M30	-	138	90,5	73	152,4	208	71,4	178	90	55	30	3"	CS06-48

**Przeciwflansza typ SAE- do spawania 3000 PSI (6000 PSI)**  
 Welding counter flanges SAE 3000 PSI (6000 PSI)



CS03-XX

CS06-XX

\*Dodatkowe opcje/ additional options:  
 Wykonanie pod rurki metryczne/ for metric tubes CSM3(6)-XX





**Przyłącze flanszowe typ SAE, kątowne 90° do spawania**  
**Welding 90° flanges SAE**

**NS03 & NS06** 3000 psi  
6000 psi

Śruby Screws		Ciśnienie Pressure (bar)	Typ o-ringa Type o-ring	Wymiary Dimensions											Wielkość Size	NS03-XX NS06-XX
Metryczna Metric	UNC UNC			max	A	B	C	D	E	F	G	H	I	L		

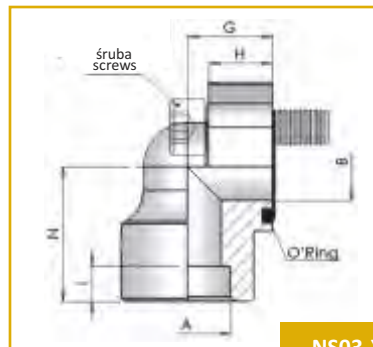
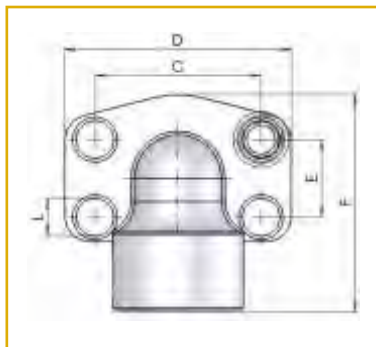
**3000 psi**

M8x30	5/16x1 "1/4	345	4075	21,6	13,0	38,10	54	17,48	60	20	16	10	9,0	37	1/2"	NS03-08
M8x30	5/16x1 "1/4		4075	17,5	13,0	38,10	54	17,48	60	20	16	10	9,0	37	1/2"	NS03-0806
M10x35	3/8x1"1/2		4100	27,2	19,0	47,63	65	22,23	63	24	18	10	11,0	38	3/4"	NS03-12
M10x35	3/8x1"1/2		4131	34,0	25,0	52,37	70	26,19	70	28	19	12	11,0	43	1"	NS03-16
M10x40	7/16x1"3/4		4150	42,8	32,0	58,72	79	30,18	85	34	21	14	11,5	51	1"1/4	NS03-20
M12x45	1/2x1"3/4	276	4187	48,6	38,0	69,85	93	35,71	95	38	25	16	13,5	56	1"1/2	NS03-24
M12x45	1/2x1"3/4	207	4225	61,0	51,0	77,77	110	42,88	110	42	25	18	13,5	65	2"	NS03-32

**6000 psi**

M8x30	5/16x1 "1/4	414	4075	21,6	13,0	40,49	54	18,24	60	20	16	10	9	37	1/2"	NS06-0808
M8x30	5/16x1 "1/4		4075	17,5	13,0	40,49	54	18,24	60	20	16	10	9	37	1/2"	NS06-0806
M10x40	3/8x1"1/2		4100	27,2	19,0	50,80	70	23,80	70	28	19	12	11	43	3/4"	NS06-12
M12x45	7/16x1"3/4		4131	34,0	25,0	57,15	79	27,76	85	34	21	14	13	51	1"	NS06-16
M14x45	1/2x1"3/4		4150	42,8	32,0	66,68	93	31,75	95	38	25	16	15	56	1"1/4	NS06-20
M16x50	5/8x2"		4187	48,6	38,0	79,38	110	36,50	110	42	25	18	17	65	1"1/2	NS06-24
M20x70	3/4x2"1/2		4225	61,0	51,0	96,82	134	44,45	132	45	35	25	21	75	2"	NS06-32

**Przyłącze flanszowe typ SAE, kątowne 90° do spawania 3000 PSI (6000 PSI)**  
**Welding 90° flanges SAE 3000 PSI (6000 PSI)**



NS03-XX

NS06-XX

\*Dodatkowe opcje/ additional options:  
**Wykonanie pod rurki metryczne/ for metric tubes NSM3(6)-XX**

**Przeciwnflansa typ SAE, kątowna 90° do spawania**  
 Welding 90° counter flanges SAE

**VS03 & VS06** 3000 psi  
 6000 psi

Metryczna Metric	Ciśnienie Pressure (bar)	Wymiary Dimensions										Wielkość Size	VS03-XX VS06-XX
		max	A	B	C	D	E	F	G	H	I		

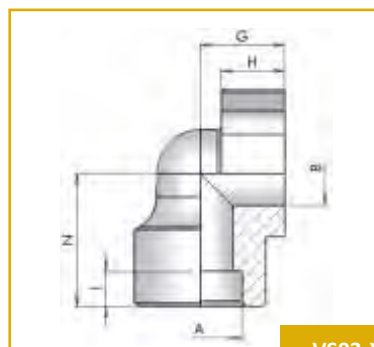
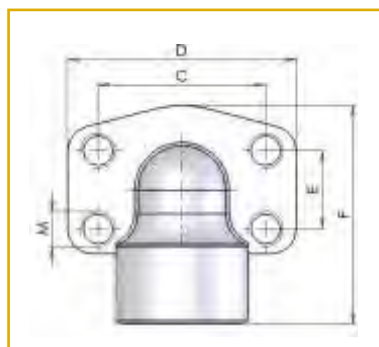
**3000 psi**

M8	345	21,6	13	38,10	54	17,48	17	20	16	10	37	1/2"	VS03-08
M8		17,5	13	38,10	54	17,48	17	20	16	10	37	1/2"	VS03-0806
M10		27,2	19	47,63	65	22,23	22	24	18	10	38	3/4"	VS03-012
M10		34,0	25	52,37	70	26,19	26	28	19	12	43	1"	VS03-16
M10	276	42,8	32	58,72	79	30,18	30	34	21	14	51	1"1/4	VS03-20
M12	207	48,6	38	69,85	93	35,71	36	38	25	16	56	1"1/2	VS03-24
M12		61,0	51	77,77	110	42,88	43	42	25	18	65	2"	VS03-32

**6000 psi**

M8	414	21,6	13	40,49	54	18,24	18	20	16	10	37	1/2"	VS06-0808
M8		17,5	13	40,49	54	18,24	18	20	16	10	37	1/2"	VS06-0806
M10		27,2	19	50,80	70	23,80	24	28	19	12	43	3/4"	VS06-12
M12		34,0	25	57,15	79	27,76	28	34	21	14	51	1"	VS06-16
M14		42,8	32	66,68	93	31,75	32	38	25	16	56	1"1/4	VS06-20
M16		48,6	38	79,38	110	36,50	37	42	25	18	65	1"1/2	VS06-24
M20		61,0	51	96,82	134	44,45	44	45	35	25	75	2"	VS06-32

**Przeciwnflansa typ SAE, kątowna 90° typ SAE- do spawania 3000 PSI (6000 PSI)**  
 Welding 90° counter flanges SAE 3000 PSI (6000 PSI)



VS03-XX

VS06-XX

\*Dodatkowe opcje/ additional options:  
 Wykonanie pod rurki metryczne/ for metric tubes VSM03(06)-XX



**Przyłącze flanszowe typ SAE do spawania**  
Weld on flanges SAE

**FB03 & FB06** 3000 psi  
6000 psi

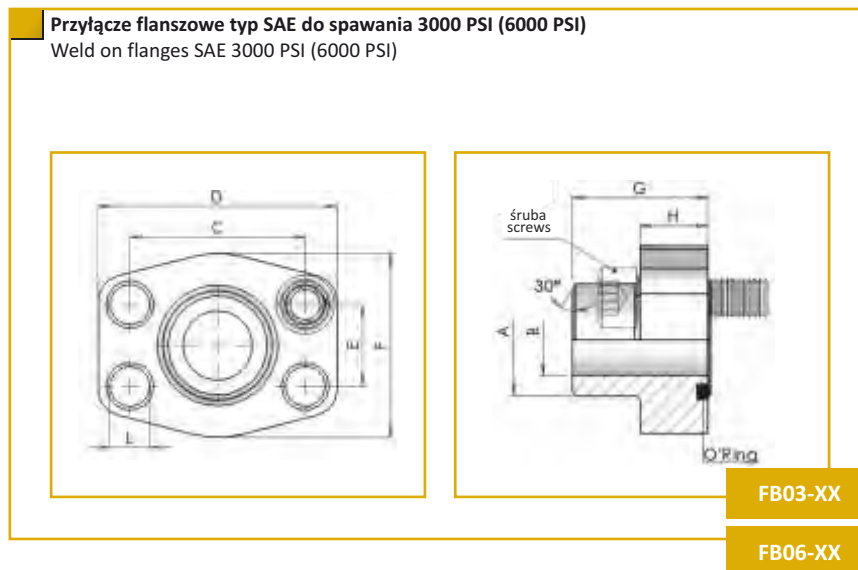
Śruby Screws		Ciśnienie Pressure (bar)	Typ o-ring Type o-ring	Wymiary Dimensions									Wielkość Size	FB03-XX FB06-XX
Metryczna Metric	UNC UNC			max	A	B	C	D	E	F	G	H		

**3000 psi**

M8x30	5/16x1 "1/4	345	4075	21,5	13	38,10	57	17,48	46	36	16	9,0	1/2"	FB03-08
M8x30	5/16x1 "1/4		4075	17,5	13	38,10	57	17,48	46	36	16	9,0	1/2"	FB03-0806
M10x35	3/8x1"1/2		4100	28,0	19	47,63	65	22,23	50	36	18	11,0	3/4"	FB03-12
M10x35	3/8x1"1/2		4131	34,0	25	52,37	70	26,19	55	38	18	11,0	1"	FB03-16
M10x40	7/16x1"3/4	276	4150	42,8	32	58,72	79	30,18	68	41	21	11,5	1"1/4	FB03-20
M12x45	1/2x1"3/4	207	4187	48,6	38	69,85	93	35,71	78	44	25	13,5	1"1/2	FB03-24
M12x45	1/2x1"3/4		4225	61,0	51	77,77	102	42,88	90	45	25	13,5	2"	FB03-32
M12x45	1/2x1"3/4	172	4275	77,0	63	88,90	114	50,80	105	50	25	13,5	2-1/2	FB03-40
M12x45	1/2x1"3/4	138	4275	92,0	73	106,38	134	61,93	124	50	25	13,5	3"	FB03-48
M16x50	5/8x2"	34	4387	103,0	89	120,65	152	69,85	136	48	27	17,5	3"1/2	FB03-56
M16x50	5/8x2"		4437	115,5	99	130,18	162	77,77	146	48	27	17,5	4"	FB03-64

**6000 psi**

M8x30	5/16x1 "1/4	414	4075	21,5	13	40,49	57	18,24	46	36	16	9	1/2"	FB06-0808
M8x30	5/16x1 "1/4		4075	17,5	13	40,49	57	18,24	46	36	16	9	1/2"	FB06-0806
M10x40	3/8x1"1/2		4100	28,0	19	50,80	71	23,80	55	35	21	11	3/4"	FB06-12
M12x45	7/16x1"3/4		4131	34,0	25	57,15	79	27,76	68	41	21	13	1"	FB06-16
M14x45	1/2x1"3/4	375	4150	42,8	32	66,68	93	31,75	78	44	25	15	1"1/4	FB06-20
M16x50	5/8x2"	320	4187	48,6	38	79,38	112	36,50	94	55	30	17	1"1/2	FB06-24
M20x70	3/4x2"1/2	250	4225	61,0	51	96,82	134	44,45	114	65	37	21	2"	FB06-32
M24x80	-	230	4275	76,6	63	123,80	180	58,70	152	80	45	26	2"1/2	FB06-40
M30x100	-	200	4337	90,0	73	152,40	208	71,40	178	90	55	33	3"	FB06-48



\*Dodatkowe opcje/ additional options:  
Wykonanie pod rurki metryczne/ for metric tubes FBM03(06)-XX

**Przeciwnflansa typ SAE do spawania**

Weld on counter flanges SAE

**CB03 & CB06** 3000 psi  
6000 psi

Metryczna Metric	UNC UNC	Ciężnienie Pressure (bar)	Wymiary Dimensions								Wielkość Size	CB03-XX CB06-XX
			M	max	A	B	C	D	E	F		

**3000 psi**

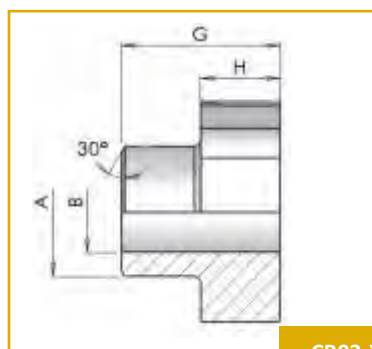
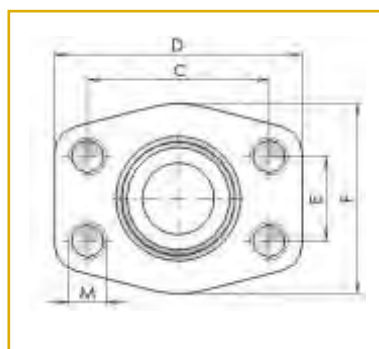
M8	5/16	345	21,5	13	38,10	57	17,48	46	36	16	1/2"	CB03-08
M8	5/16		17,5	13	38,10	57	17,48	46	36	16	1/2"	CB03-0806
M10	3/8		28,0	19	47,63	65	22,23	50	36	18	3/4"	CB03-12
M10	3/8	276	34,0	25	52,37	70	26,19	55	38	18	1"	CB03-16
M10	7/16		42,8	32	58,72	79	30,18	68	41	21	1" 1/4	CB03-20
M12	1/2	207	48,6	38	69,85	93	35,71	78	44	25	1" 1/2	CB03-24
M12	1/2		61,0	51	77,77	102	42,88	90	45	25	2"	CB03-32
M12	1/2	172	77,0	63	88,90	114	50,80	105	50	25	2" 1/2	CB03-40
M16	5/8	138	92,0	73	106,38	134	61,93	124	50	27	3"	CB03-48
M16	5/8	34	103,0	89	120,65	152	69,85	136	48	27	3" 1/2	CB03-56
M16	5/8		115,5	99	130,18	162	77,77	146	48	27	4"	CB03-64

**6000 psi**

M8	5/16	414	21,5	13	40,49	57	18,24	46	36	16	1/2"	CB06-0808
M8	5/16		17,5	13	40,49	57	18,24	46	36	16	1/2"	CB06-0806
M10	3/8		28,0	19	50,80	71	23,80	55	35	21	3/4"	CB06-12
M12	7/16	375	34,0	25	57,15	79	27,76	68	41	21	1"	CB06-16
M14	1/2		42,8	32	66,68	93	31,75	78	44	25	1" 1/4	CB06-20
M16	5/8	320	48,6	38	79,38	112	36,50	94	55	30	1" 1/2	CB06-24
M20	3/4	250	61,0	51	96,82	134	44,45	114	65	37	2"	CB06-32
M24	--	230	76,6	63	123,80	180	58,70	152	80	45	2" 1/2	CB06-40
M30	--	200	90,0	73	152,40	208	71,40	178	90	55	3"	CB06-48

**Przeciwnflansa typ SAE do spawania 3000 PSI (6000 PSI)**

Weld on counter flanges SAE 3000 PSI (6000 PSI)



CB03-XX

CB06-XX

\*Dodatkowe opcje/ additional options:

Wykonanie pod rurki metryczne/ for metric tubes CBM03(06)-XX



**Zaślepka przyłączy flanszowych typu SAE**

Blind counter flanges SAE

**CC03 & CC06** 3000 psi  
6000 psi

Metryczna Metric	UNC UNC	Ciężnienie Pressure (bar)	Wymiary Dimensions					Wielkość Size	CC03-XX CC06-XX
			M	max	C	D	E		

**3000 psi**

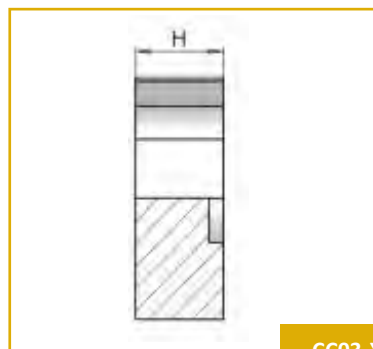
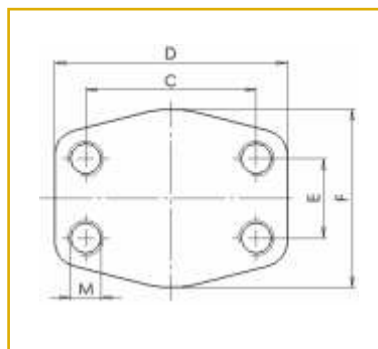
M8x30	5/16	345	38,10	56	17,48	46	16	1/2"	CC03-08
M10x35	3/8		47,63	65	22,23	50	18	3/4"	CC03-12
M10x35	3/8		52,37	70	26,19	60	19	1"	CC03-16
M10x40	7/16	276	58,72	79	30,18	68	18	1"1/4	CC03-20
M12x45	1/2	207	69,85	93	35,71	78	20	1"1/2	CC03-24
M12x45	1/2		77,77	102	42,88	90	20	2"	CC03-32
M12x45	1/2	172	88,90	114	50,80	105	20	3"	CC03-40
M16x50	5/8	138	106,38	134	61,93	124	24	3"1/2	CC03-48
M16x50	5/8	34	120,65	152	69,85	136	22	4"	CC03-56
M16x50	5/8		130,18	162	77,77	146	25	2"1/2	CC03-64

**6000 psi**

M8x30	5/16	414	40,49	56	18,24	48	16	1/2"	CC06-08
M10x35	3/8		50,80	71	23,80	60	19	3/4"	CC06-12
M12x45	7/16		57,15	81	27,76	70	24	1"	CC06-16
M14x45	1/2		66,68	95	31,75	78	27	1"1/4	CC06-20
M16x50	5/8		79,38	112	36,50	94	30	1"1/2	CC06-24
M20x60	3/4		96,82	134	44,45	114	30	2"	CC06-32
M24x100	-		123,80	180	58,70	152	45	2"1/2	CC06-40
M30x100	-		152,40	208	71,40	178	55	3"	CC06-48

**Zaślepka przyłączy flanszowych typu SAE 3000 PSI (6000 PSI)**

Blind counter flanges SAE 3000 PSI (6000 PSI)



CC03-XX

CC06-XX



**Półpierścienie pod flansze typu SAE**  
 Cut split flanges SAE

**S003 & S006** 3000 psi  
 6000 psi

Śruby Screws		Ciśnienie Pressure (bar)	Wymiary Dimensions										Wielkość Size	S003-XX S006-XX
Metryczna Metric	UNC UNC		max	A	B	C	D	E	F	G	H	I		

**3000 psi**

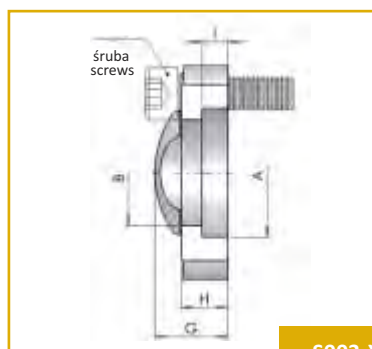
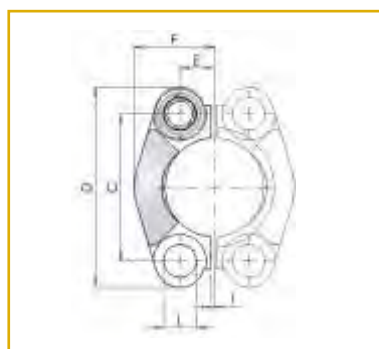
M8x30	5/16x1"1/4	345	30,96	24,26	38,10	54	8,74	22,8	19	13	6,22	8,75	1/2"	S003-08
M10x35	3/8x1"1/2		38,89	32,13	47,63	65	11,13	25,9	22	14	6,22	10,75	3/4"	S003-12
M10x35	3/8x1"1/2		45,24	38,48	52,37	70	13,08	29,2	24	16	7,49	10,75	1"	S003-16
M10x35	-	276	51,59	43,69	58,72	79	15,09	36,3	22	14	7,49	12	1"1/4	S003-20
M12x35	-	207	61,09	50,80	69,85	94	17,86	41,1	25	16	7,49	13,5	1"1/2	S003-24
M12x35	-		72,24	62,74	77,77	102	21,44	48,2	26	16	9,02	13,5	2"	S003-32
M12x40	1/2x1"3/4	172	84,94	74,93	88,90	114	25,40	54,1	38	19	9,02	13,5	2-1/2	S003-40
M16x50	5/8x2"	138	102,39	90,93	106,38	135	30,96	65,3	41	22	9,02	17	3"	S003-48
M16x50	5/8x2"	34	115,1	102,36	120,65	152	34,92	69,5	28	22	10,72	17	3"1/2	S003-56
M16x50	5/8x2"		127,79	115,06	130,18	162	38,88	76,0	35	25	10,72	17	4"	S003-64

**6000 psi**

M8x30	5/16x1"1/4	414	32,54	24,64	40,49	56	9,12	23,6	22	16	7,24	8,75	1/2"	S006-08
M10x35	3/8x1"1/2		42,06	32,51	50,80	71	11,91	30,0	28	19	8,26	11,00	3/4"	S006-12
M12x45	-		48,41	38,86	57,15	81	13,89	34,8	33	24	9,02	13,00	1"	S006-16
-	-		54,76	44,45	66,68	95	15,88	38,6	38	27	9,78	15,00	1"1/4	S006-20
M16x50	5/8x2"		64,29	51,56	79,38	113	18,26	47,5	43	30	12,07	17,00	1"1/2	S006-24
M20x70	3/4x2"1/2		80,16	67,56	96,82	133	22,23	56,9	52	37	12,07	21,00	2"	S006-32

**Półpierścienie pod flansze typu SAE 3000 PSI (6000 PSI)**

Cut split flanges SAE 3000 PSI (6000 PSI)



S003-XX

S006-XX





**Przyłącze kołnierzowe do pomp, mocowane w kwadrat- gwint metryczny (DIN2353)**

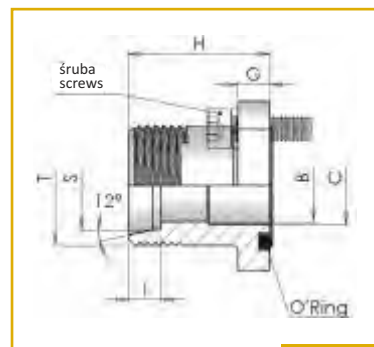
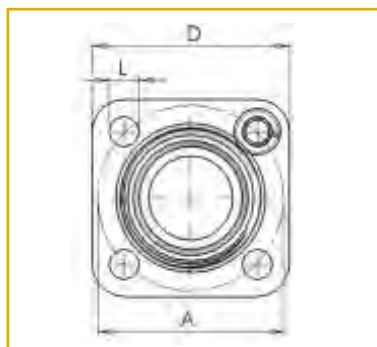
DIN 2353 metric threaded straight pump connectors with 4 fixing holes

**MDD0**

Śruby Screws	Ciężnienie Pressure (bar)	Typ o-ringa Type o-ring	Wymiary Dimensions									MDD0-XX
			A	B	C	D	S	T	G	H	L	
M6x20	315	3075	35	8	12	39	10	M16x1,5	8	30	6,4	MDD0-3510
M6x20			35	10	12	39	12	M18x1,5	8	30	6,4	MDD0-3512
M6x20	250	3075	35	12	12	39	15	M22x1,5	8	30	6,4	MDD0-3515
M6x20			35	12	12	39	16	M24x1,5	8	30	6,4	MDD0-3516
M6x20			35	12	12	39	18	M26x1,5	8	30	6,4	MDD0-3518
M6x20	100	132	40	12	19	42	15	M22x1,5	8	35	6,4	MDD0-4015
M6x20			40	15	19	42	18	M26x1,5	8	35	6,4	MDD0-4018
M6x20			40	19	19	42	22	M30x2	8	35	6,4	MDD0-4022
M6x20			40	20	20	42	28	M36x2	8	42	6,4	MDD0-4028

**Przyłącze kołnierzowe do pomp, mocowane w kwadrat- gwint metryczny (DIN2353)**

DIN 2353 metric threaded straight pump connectors with 4 fixing holes



**MDD0-XX**

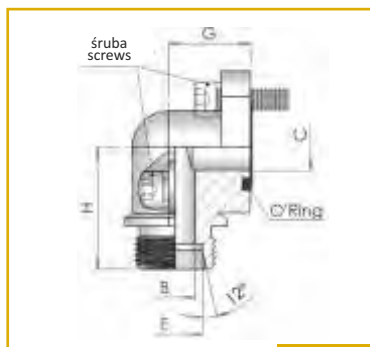
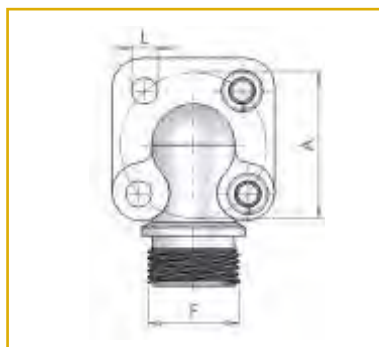


**Przyłącze kołnierzowe, kątowe 90° do pomp mocowane w kwadrat- gwint metryczny (DIN2353)**  
DIN 2353 Metric threaded 90° pump connectors with 4 fixing holes

**G4D0**

Śruby Screws	Ciśnienie Pressure (bar)	Typ o-ringa Type o-ring	Wymiary Dimensions								G4D0-XX
			A	B	C	E	F	G	H	L	
N.2 M6x35 N.2 M6x20	300	3075	35	8	13	10	M16x1,5	18	41,5	6,4	G4D0-3510
N.2 M6x35 N.2 M6x20	300	3075	35	10	13	12	M18x1,5	18	41,5	6,4	G4D0-3512
N.2 M6x35 N.2 M6x20	250	3075	35	12	13	15	M22x1,5	18	41,5	6,4	G4D0-3515
N.2 M6x35 N.2 M6x20	250	3075	35	12	13	16	M24x1,5	18	41,5	6,4	G4D0-3516
N.2 M6x35 N.2 M6x20	250	3075	35	12	13	18	M26x1,5	18	41,5	6,4	G4D0-3518
N.2 M6x45 N.2 M6x20	100	132	40	12	19	15	M22x1,5	24	41,5	6,4	G4D0-4015
N.2 M6x45 N.2 M6x20	100	132	40	15	19	18	M26x1,5	24	41,5	6,4	G4D0-4018
N.2 M6x45 N.2 M6x20	100	132	40	17	19	22	M30x2	24	41,5	6,4	G4D0-4022

**Przyłącze kołnierzowe, kątowe 90° mocowane w kwadrat- gwint metryczny (DIN2353)**  
DIN 2353 Metric threaded 90° pump connectors with 4 fixing holes



G4D0-XX

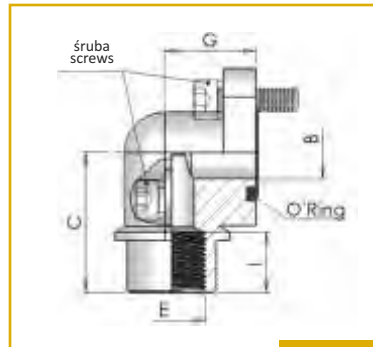
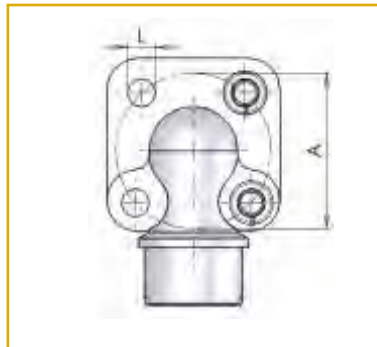


**Przyłącze kołnierzowe, kątowe 90° do pomp mocowane w kwadrat- gwint BSP**  
BSP threaded 90° pump connectors with 4 fixing holes

**G4G0**

Śruby Screws	Ciśnienie Pressure (bar)	Typ o-ringa Type o-ring	Wymiary Dimensions							G4G0-XX
			A	B	C	D	E	G	L	
N.2 M6x35 N.2 M6x20	300	3075	35	13	41,5	16	3/8" GAS	18	6,4	G4G0-3506
N.2 M6x35 N.2 M6x20		3075	35	13	41,5	19	1/2" GAS	18	6,4	G4G0-3508
N.2 M6x45 N.2 M6x20		132	40	19	41,5	19	1/2" GAS	24	6,4	G4G0-4008
N.2 M6x45 N.2 M6x20		132	40	19	41,5	19	3/4" GAS	24	6,4	G4G0-4012
N.2 M8x25 N.2 M8x60	315	3125	55	19	46	17	3/4" GAS	31	8,5	G4G0-5512
N.2 M8x25 N.2 M8x70		3125	55	22	49	22	1" GAS	31	8,5	G4G0-5516

**Przyłącze kołnierzowe do pomp, kątowe 90°, mocowane w kwadrat- gwint BSP**  
90° pump connectors with 4 fixing holes



**G4G0-XX**

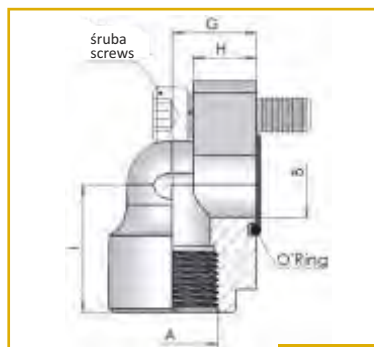
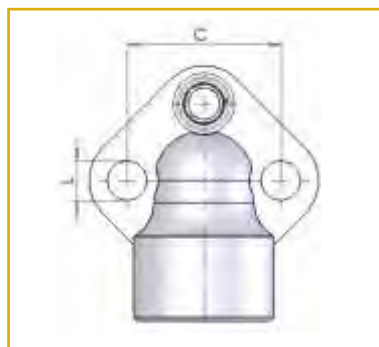


**Przyłącze kołnierzowe do pomp, kątowne 90° mocowane w karo, gwint BSP**  
 90° pump connectors with 3 fixing holes

**G3G0**

Śruby Screws	Ciśnienie Pressure (bar)	Grupa pompy Pump group	Typ o-ringa Type o-ring	Wymiary Dimensions							G3G0-XX
				A	B	C	G	H	I	L	
M5x20	300 max	0,5	2056	3/8" GAS	11	26	17	8	24	5,3	G3G0-2606
M5x20		0,5	2056	1/2" GAS	11	26	17	8	24	5,3	G3G0-2608
M6x20		1,0	121	3/8" GAS	12	30	17	8	24	6,4	G3G0-3006
M6x20		1,0	121	1/2" GAS	12	30	17	8	26	6,4	G3G0-3008
M8x25A		2,0	132	1/2" GAS	19	40	21	10	30	8,5	G3G0-4008
M8x25A		2,0	132	3/4" GAS	19	40	21	10	30	8,5	G3G0-4012
M10x30A		3,0	3125	3/4" GAS	26	51	26	13	45	10,5	G3G0-5112
M10x30A		3,0	3125	1" GAS	26	51	26	13	45	10,5	G3G0-5116
M10x30A		3,0	3125	3/4" GAS	26	56	26	13	45	10,5	G3G0-5612
M10x30A		3,0	3125	1" GAS	26	56	26	13	45	10,5	G3G0-5613

**Przyłącze kołnierzowe, kątowne 90° mocowane w karo, gwint BSP**  
 BSP threaded 90° pump connectors with 3 fixing holes



G3G0-XX