

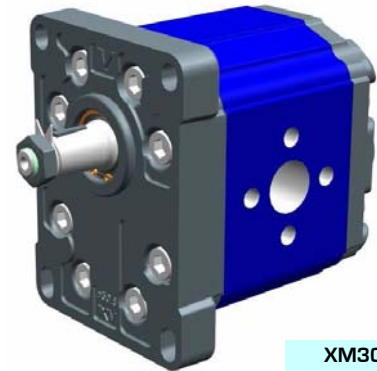
# reversible motor - series XV

# XV-3M

STANDARD EUROPEAN MOTOR  
ø50.8 FLANGE - TAPER SHAFT

**X 3 M 78 01 A B B E**

Series	X	series XV
Group	3	group 3
Category	M	reversible motor
Displacement	78	38
Flange	01	Ø50.8 reversible rotation
Shaft	A	CO001 - Tapered 1:8 - ø22 - key thk.4
Body	IN	inlet - Ø51 Ø27 M10
	OUT	outlet - Ø51 Ø27 M10
Cover	E	with external drainage



**XM301**

Technical data table

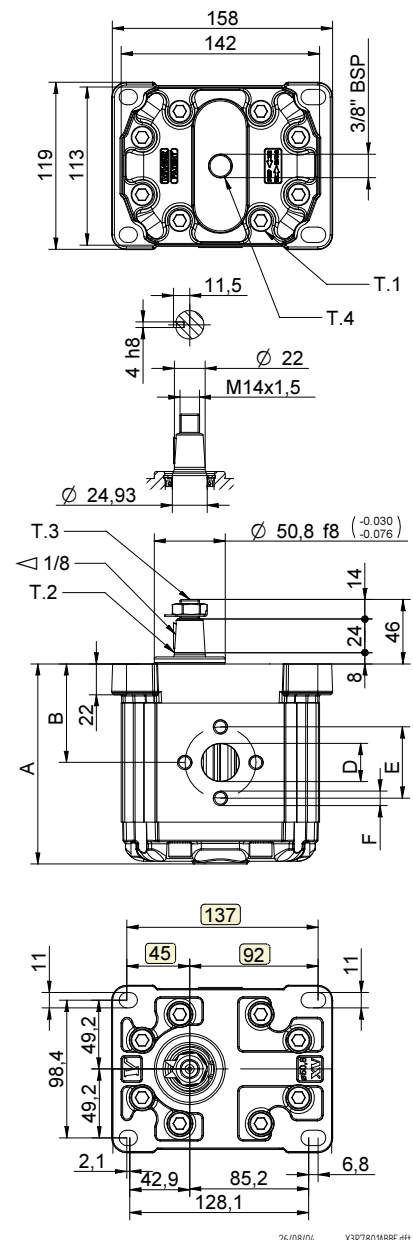
TYPE	Displacement cm <sup>3</sup> /rev	Max. Pressure		CODE																	
		P1 bar	P3 bar	External drainage			Internal drainage														
XV-3M/15	14,89	250	270	X	3	M	66	01	A	A	A	E	X	3	M	66	01	A	A	A	F
XV-3M/18	17,37	250	270	X	3	M	68	01	A	A	A	E	X	3	M	68	01	A	A	A	F
XV-3M/21	21,10	250	270	X	3	M	70	01	A	A	A	E	X	3	M	70	01	A	A	A	F
XV-3M/27	26,97	250	270	X	3	M	72	01	A	A	A	E	X	3	M	72	01	A	A	A	F
XV-3M/32	32,27	250	270	X	3	M	74	01	A	B	B	E	X	3	M	74	01	A	B	B	F
XV-3M/38	38,47	250	270	X	3	M	78	01	A	B	B	E	X	3	M	78	01	A	B	B	F
XV-3M/43	43,44	250	270	X	3	M	79	01	A	B	B	E	X	3	M	79	01	A	B	B	F
XV-3M/47	47,16	230	250	X	3	M	80	01	A	B	B	E	X	3	M	80	01	A	B	B	F
XV-3M/51	50,88	230	250	X	3	M	81	01	A	B	B	E	X	3	M	81	01	A	B	B	F
XV-3M/54	54,60	230	250	X	3	M	82	01	A	B	B	E	X	3	M	82	01	A	B	B	F
XV-3M/61	60,81	230	250	X	3	M	83	01	A	C	C	E	X	3	M	83	01	A	C	C	F
XV-3M/64	64,53	210	230	X	3	M	85	01	A	C	C	E	X	3	M	85	01	A	C	C	F
XV-3M/70	70,74	200	220	X	3	M	86	01	A	C	C	E	X	3	M	86	01	A	C	C	F
XV-3M/74	74,46	180	200	X	3	M	87	01	A	C	C	E	X	3	M	87	01	A	C	C	F
XV-3M/90	86,87	150	170	X	3	M	89	01	A	C	C	E	X	3	M	89	01	A	C	C	F

P1) Max. working pressure - P3) Max. peak pressure

For heavy-duty applications, it is recommended to check the admissible torque of the shaft

Dimensions table

TYPE	Weight kg	A	B	D	E	F	D	E	F
		mm	mm	IN			OUT		
XV-3M/15	7,010	122,0	61,0	ø20	40	M8	ø20	40	M8
XV-3M/18	7,070	124,0	62,0	ø20	40	M8	ø20	40	M8
XV-3M/21	7,150	127,0	63,5	ø20	40	M8	ø20	40	M8
XV-3M/27	7,250	131,0	65,5	ø20	40	M8	ø20	40	M8
XV-3M/32	7,390	136,0	68,0	ø27	51	M10	ø27	51	M10
XV-3M/38	7,520	141,0	70,5	ø27	51	M10	ø27	51	M10
XV-3M/43	7,630	145,0	72,5	ø27	51	M10	ø27	51	M10
XV-3M/47	7,710	148,0	74,0	ø27	51	M10	ø27	51	M10
XV-3M/51	7,790	151,0	75,5	ø27	51	M10	ø27	51	M10
XV-3M/54	7,870	154,0	77,0	ø27	51	M10	ø27	51	M10
XV-3M/61	8,010	159,0	79,5	ø36	62	M10	ø36	62	M10
XV-3M/64	8,090	162,0	81,0	ø36	62	M10	ø36	62	M10
XV-3M/70	8,220	167,0	83,5	ø36	62	M10	ø36	62	M10
XV-3M/74	8,300	170,0	85,0	ø36	62	M10	ø36	62	M10
XV-3M/90	8,570	180,0	90,0	ø36	62	M10	ø36	62	M10



T.1 = 60÷65 [Nm] - screw tightening torque M10

T.3 = 75 [Nm] - torque wrench setting 22

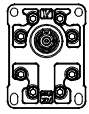
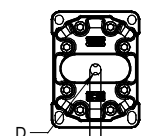
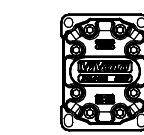
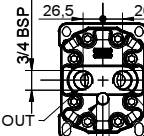
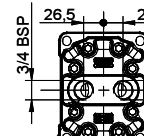
T.2 = 482 [Nm] - admissible shaft torque (N.B. When choosing a shaft, always check the admissible torque).

T.4 = 0.3÷0.5 bar - max. drainage pressure

# Table of variations

**XV-3M**

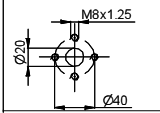
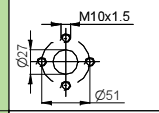
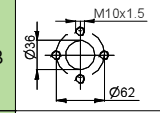
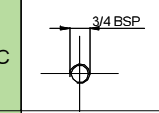
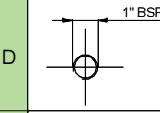
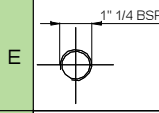
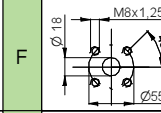
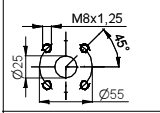
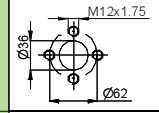
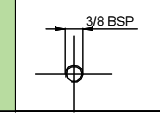
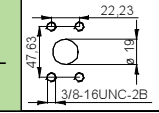
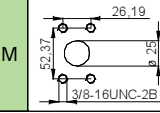
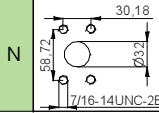
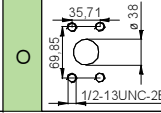
## ø50.8 FLANGE

ø50.8 FLANGE		Shaft				Cover	
	01	CO001 - Tapered T.2 = 482 [Nm]	A	CI001 - Parallel T.2 = 181 [Nm]	B	 External drainage	E
		SCF03 - Splined T.2 = 223 [Nm]	C	CI004 - Parallel T.2 = 180 [Nm]	H		 Internal drainage
		SCF04 - Splined T.2 = 264 [Nm]	I			 IN + OUT + external	
							 IN + OUT + internal

Displacement	
TYPE	CODE
XV-3M/15	66
XV-3M/18	68
XV-3M/21	70
XV-3M/27	72
XV-3M/32	74
XV-3M/38	78
XV-3M/43	79
XV-3M/47	80
XV-3M/51	81
XV-3M/54	82
XV-3M/61	83
XV-3M/64	85
XV-3M/70	86
XV-3M/74	87
XV-3M/90	89

Standard bodies				
Displacement cm3/rev	Standard threads			
	15	A - A	D - D	H - H
18	A - A	D - D	H - H	
21	A - A	D - D	H - H	
27	A - A	E - E	H - H	
32	B - B	E - E	H - H	
38	B - B	E - E	H - H	
43	B - B	E - E	H - H	
47	B - B	E - E	H - H	
51	B - B	E - E	H - H	
54	B - B	E - E	H - H	
61	C - C	F - F		
64	C - C	F - F		
70	C - C	F - F		
74	C - C	F - F		
90	C - C	F - F		

Table showing standard flange and thread combinations available in stock

Body (threads/flanges)													
	A		B		C		D		E		F		G
	H		I		L		M		N		O		P
Closed Body	Z												