

LMA-P

PLASTIC PLUG VISUAL LEVEL INDICATOR

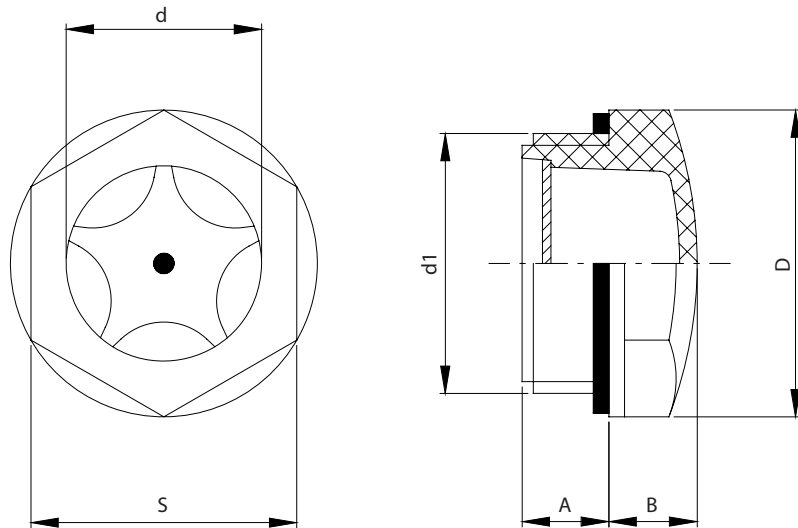


PLUGS
Plugs different types of plugs for all applications in your tank.



LMA-P

PLASTIC PLUG VISUAL LEVEL INDICATOR



- Body material: Transparent polyamide based (PA-T) technopolymer.

Resistant to solvents, oils with additives, greases, acids and alkali. Avoid contact with alcohol or detergents containing alcohol.

- Star-shaped contrast screen: Matte anodised aluminium with red central level point.

The particular shape of the magnifying lens increases and improves visibility even from side positions.

Flat packing ring: NBR synthetic rubber.

- Highest temperature of exercise in continue: 110 °C

GAS TYPE	TIGHTENING TORQUE -Nm	F	C	H	L	d	C
LMA-P 1/4" GAS	3	1/4" GAS	10	6	18	9	15
LMA-P 3/8" GAS	5	3/8" GAS	7,5	7	22	11	19
LMA-P 1/2" GAS	6	1/2" GAS	10,5	8	26	14	22
LMA-P 3/4" GAS	8	3/4" GAS	10,5	9	31,5	20	27
LMA-P 1" GAS	10	1" GAS	11	10	40	25	34
LMA-P 1"1/4 GAS	10	1"1/4 GAS	11,5	13	47,5	30	40,5
METRIC TYPE	TIGHTENING TORQUE -Nm	F	C	H	L	d	C
LMA-P - M 16x1,5	3	M 16x1,5	8	7	22	11	19
LMA-P - M 20x1,5	10	M 20x1,5	9,5	8	26	14	22
LMA-P - M 25x1,5	10	M 25x1,5	8	9	31,5	18	27
LMA-P - M 26x1,5	10	M 26x1,5	13	9	31,5	18	27
LMA-P - M 27x1,5	10	M 27x1,5	9	9	31,5	20	27
LMA-P - M 30x1,5	10	M 30x1,5	9	10	35	22	30
LMA-P - M 35x1,5	10	M 35x1,5	11	10	40	25	34
LMA-P - M 40x1,5	10	M 40x1,5	11,5	13	47,5	30	40,5